

Please read and save these instructions. Read through this owner's manual carefully before using product. Protect yourself and others by observing all safety information, warnings, and cautions. Failure to comply with instructions could result in personal injury and/or damage to product or property. Please retain instructions for future reference.



## 20 GALLON (75L) PARTS WASHER

### UNPACKING

After unpacking the OEMTOOLS™ 20 Gallon (75L) Parts Washer, inspect carefully for any damage that may have occurred during transit. Check for loose, missing, or damaged parts. If any damage is observed, a shipping damage claim must be filed with carrier. DO NOT use Parts Washer if broken, bent, cracked or damaged parts (including labels) are noted. Any Parts Washer that appears damaged in any way, operates abnormally or is missing parts should be removed from service immediately. If you suspect that the Parts Washer was subjected to a shock load (a load that was dropped suddenly, unexpectedly, etc.), immediately discontinue use until it has been checked by a factory authorized service center.



### **▲** WARNING

The following safety information is provided as a guideline to help you operate your product under the safest possible conditions. Any tool or piece of equipment can be potentially dangerous to use when safety or safe handling instructions are not known or not followed. The following safety instructions are to provide the user with the information necessary for safe use and operation. Please read and retain these instructions for the continued safe use of your product. Failure to follow instructions listed below may result in serious injury. In addition, make certain that anyone who uses the equipment understands and follows these safety instructions as well.

### Explanation of Safety Signal Words

**▲WARNING:** Indicates a potentially hazardous situation which, if not avoided, could result in death or serious injury.

**▲CAUTION:** Indicates a potentially hazardous situation which, if not avoided, may result in minor or moderate injury.

**CAUTION:** Used without the safety alert symbol indicates a potentially hazardous situation which, if not avoided, may result in property damage.

**NOTES:** Provide clarity and helpful information.

Thank you very much for choosing an OEMTOOLS™ Product!



## 20 GALLON (75L) PARTS WASHER

### **⚠ IMPORTANT INSTRUCTIONS AND SAFETY RULES**

1. Know your product. Read this manual carefully. Learn the product's applications and limitations as well as potential hazards specific to it.
2. Keep work area clean and well lit. Cluttered or dark work areas invite accidents.
3. Keep children away. All children should be kept away from the work area. Never let a child handle this product without strict adult supervision.
4. DO NOT operate this product if under the influence of alcohol or drugs. Read warning labels on prescriptions to determine if your judgment or reflexes are impaired while taking drugs. If there is any doubt, DO NOT attempt to operate.
5. Use safety equipment. Eye protection should be worn at all times when operating this product. Use ANSI approved safety glasses. Everyday eyeglasses are NOT safety glasses. Dust mask, non-skid safety shoes, hard hat or hearing protection should be used in appropriate conditions.
6. Wear proper apparel. Loose clothing, gloves, neck-ties, rings, bracelets or other jewelry may present a potential hazard when operating this product. Keep all apparel clear of the product.
7. DO NOT overreach. Keep proper footing and balance at all times when operating this product.
8. Check for damage. Check your product regularly. If part of the product is damaged, it should be carefully inspected to make sure that it can perform its intended function correctly. If in doubt, the part should be repaired. Refer all servicing to a qualified technician. Consult your dealer for advice.
9. Keep away from flammables. DO NOT attempt to operate this product near flammable materials or combustibles. Failure to comply may cause serious injury or death.
10. Store idle product out of the reach of children and untrained persons. This product may be dangerous in the hands of untrained users.
11. Maintain product with care.
12. Keep product dry and clean.
13. DO NOT use a damaged product. Tag damaged products "DO NOT USE" until repaired.
14. Check for misalignment or binding of moving parts, breakage of parts, and any other condition that may affect the product's operation.
15. Use only accessories that are recommended by the manufacturer for your model. Accessories that may be suitable for one product may become hazardous when used on another product.
16. If damaged, have the product serviced before using. Many accidents are caused by poorly maintained products.
17. Product service must be performed only by qualified repair personnel. Service or maintenance performed by unqualified personnel could result in a risk of injury.
18. When servicing a product, use only identical replacement parts. Use of unauthorized parts or failure to follow maintenance instructions may create a risk of injury.
19. Maintain a safe working environment. Keep the work area well lit. Make sure there is adequate surrounding workspace. Keep the work area free of obstructions, grease, oil, trash, and other debris. DO NOT use this product in a damp or wet location.
20. Maintain labels and nameplates on this product. These carry important information. If unreadable or missing, contact OEMTOOLS™ for a replacement.
21. Avoid accidental fire and/or explosion. DO NOT smoke near engine fuel and battery components.
22. We believe the information contained herein to be reliable. However, general technical information is given by us without charge and the user shall employ such information at their own discretion and risk. We assume no responsibility for results or damages incurred from the use of such information in whole or in part.

### **SPECIFIC SAFETY INSTRUCTIONS & WARNINGS**

1. Ground all tools. If the tool is equipped with three-pin plug, it should be plugged into a three-pin electrical socket. Never remove the ground pin. Failure to properly ground unit could result in severe electrical shock and/or death.
2. DO NOT abuse cord. Never use the cord to carry tools or pull the plug from an outlet. Keep cord away from heat, sharp edges or moving parts. Replace damaged cords immediately. Damaged cords increase the risk of electric shock.
3. Always disconnect the tool from power source before making any adjustments, storing, servicing, or changing accessories. Such preventative safety measures reduce the risk of starting the tool accidentally.
4. DO NOT use the tool if the switch does not turn it on and off. Any tool that cannot be controlled with the switch is dangerous and must be repaired.

**NOTE:** The manufacturer declines any and all responsibility for damage to vehicles or components if said damage is the result of unskillful handling by the operator or of failure to observe the basic safety rules set forth in the instruction manual.

### **⚠ WARNING**

Read Rules for Safe Operation and Instructions carefully.

### **IMPORTANT SAFETY INSTRUCTIONS**

The warnings, precautions, and instructions discussed in this manual cannot cover all possible conditions and situations that may occur. The operator must understand that common sense and caution are factors which cannot be built into this product but must be supplied by the operator.



## 20 GALLON (75L) PARTS WASHER

### POWER SOURCE CONNECTION

#### POWER REQUIREMENTS

This product is designed to operate on a properly grounded 120 volt, 60Hz, single-phase alternating current (AC) power source fused with a 20 amp time delayed fuse or circuit breaker. It is recommended that a qualified electrician verify the ACTUAL VOLTAGE at the receptacle into which the product will be plugged and confirm that the receptacle is properly fused and grounded.

#### ▲WARNING

DO NOT OPERATE THIS PRODUCT if the ACTUAL power source voltage is less than 105 volts AC or greater than 132 volts AC. Contact a qualified electrician if this problem exists. Improper performance and/or damage to the product will result if operated on inadequate or excessive power.

#### CONNECT TO POWER SOURCE

#### ▲WARNING

High voltage danger from power source!

Consult a qualified electrician for proper installation of receptacle at the power source.

This product must be grounded while in use to protect the operator from electrical shock. If you are not sure if your outlet is properly grounded, have it checked by a qualified electrician. DO NOT cut off the grounding prong or alter the plug in any way and DO NOT use any adapters between the product's power cord and the power source receptacle. Make sure the POWER switch is OFF then connect the power cord to a properly grounded 120V, 60Hz, single phase, 20 amp power source.

#### EXTENSION CORDS

For optimum performance, an extension cord should not be used unless absolutely necessary. If necessary, care must be taken in selecting an extension cord appropriate for use with your specific product. Select a properly grounded extension cord that will mate directly with the power source receptacle and the power cord without the use of adapters. Make certain that the extension is properly wired and in good electrical condition. Extension cords must be a minimum #12-gauge cord. DO NOT use an extension cord over 25 ft. (7.6 m) in length.

#### ASSEMBLY INSTRUCTIONS

1. Remove machine from carton and inspect for any visual damage.
2. Remove parts inside the machine.
3. Lay clean and hard cardboard on the floor and lay machine on its lid. (Make sure you hold cover closed when laying machine on its lid.)
4. Mount four legs on brackets with M6X12 Philips head screws and M6 nuts.

**NOTE:** DO NOT TIGHTEN.

5. Place lower shelf between legs with flat surface up and attach to legs with M6X12 philips head screws and M6 nuts.
6. With legs pressed tight against lower shelf, tighten all screws to lower shelf.
7. Tighten all the screws installed in Step 4.
8. Stand machine up, being careful to hold lid closed.
9. Put work shelf and basket into the machine.
10. Remove styrofoam packing from pump (see pump label for instructions) and mount pump assembly into slot on the side of the machine. Push down firmly on pump so that it seats itself onto side wall of tub. Place filter screen in position.
11. Thread the flexible nozzle into the elbow attachment on pump housing and firmly screw into place.
12. Plug machine into standard 115 volt 60 Hz grounded outlet and fill with proper amount of fluid.
13. Turn switch on. Fluid should be flowing from the flexible nozzle.

#### WHEN INSTALLING YOUR PARTS WASHER

1. Sit it on a firm, flat, level surface in a well ventilated area and away from any open flames.
3. Fill only with a non-flammable water-based degreaser or cleaning agent to just below the level of the parts shelf (approximately 24 gallons or 90L).
3. Follow the degreaser manufacturer's instructions carefully.
4. Do not fill with flammable solvents such as kerosene, gasoline, etc.

#### WHEN USING YOUR PARTS WASHER

1. Wear suitable protective clothing, gloves and goggles.
2. Clean off any accidental splashes of degreaser on skin immediately, following the degreaser manufacturer's instructions carefully. Seek medical attention if necessary.
3. Keep work area tidy and mop up any accidental spills of degreaser.

#### WHEN NOT IN USE

1. Switch off pump, close the lid and disconnect from the electrical supply.
2. Disconnect from the electrical supply before carrying out any maintenance or cleaning on the Parts Washer.

**▲WARNING:** The pump of your Parts Washer may be damaged if you use solvents like perchloroethylene or trichloroethylene.



## 20 GALLON (75L) PARTS WASHER

### ELECTRICAL CONNECTIONS

Plug into a standard 120 volt grounded plug.

### PRODUCT SPECIFICATIONS

<b>Maximum Capacity:</b>	20 Gallons (75L)
<b>Working Capacity:</b>	12 Gallons (45L)
<b>Assembled Dimensions:</b>	31" x 21" x 34-1/2" (78.7 x 53.3 x 87.7 cm)
<b>Weight:</b>	52 Lbs. (23.6 kg)

### CONTENTS

Bolts (24), Spring Washers (24), Lock Nuts (24), Legs (4), Lower Shelf (1), Middle Shelf (1), Pump Assembly (1), Basket (1), and Instruction Manual (1)

### OPERATION

Always wear protective clothing, gloves and goggles when using your Parts Washer.

1. Open the Parts Washer lid and place parts to be washed on the washboard.
2. Position the flexible nozzle so that it is directly above your parts.
3. Turn the power switch to the ON position.
4. Clean parts as needed.
5. Turn power switch to the OFF position.
6. Place parts on drying shelf until completely dry.
7. Empty drain tank, as needed, by sliding out of drying shelf brackets.

### ▲WARNING

Clean off any accidental splashes of degreaser on skin immediately, following the degreaser manufacturer's instructions carefully. Seek medical attention if necessary.

### MAINTENANCE

1. The lid incorporates a fusible link to close the lid in the event of a fire. This link is non-resetting and must be replaced once it has been triggered.
2. Clean the pump filter regularly by sliding it away from the pump housing and rinsing in clean degreaser.
3. DO NOT allow the level of liquid in the Parts Washer to fall below the pump inlet, as damage to the pump can result.
4. Change degreaser as needed. Tank can be drained by removing the drain plug located on bottom of tank.

### TROUBLE SHOOTING

If you experience reduced volume flow or no flow of cleaning liquid from the flex hose nozzle, probable causes may be:

1. Foreign matter in the flex hose.
2. Low fluid level (not reaching the pump inlet).
3. Blocked/dirty filter.
4. Air in the pump. You can turn on and turn off the Parts Washer several times or knock on the pump housing several times to fix this problem.

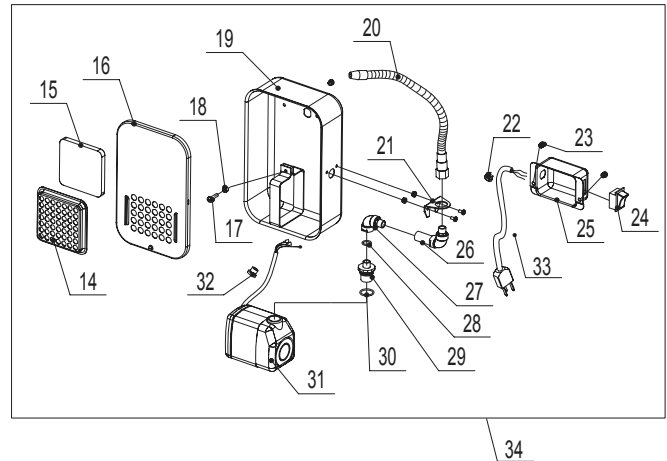
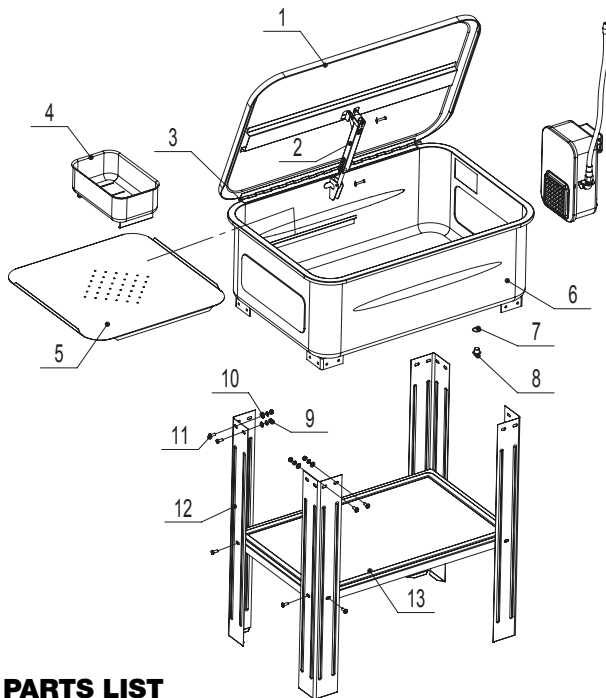
### DISPOSAL

At the end of the useful life of the product, dispose of the components according to all state, federal and local regulations.



# 20 GALLON (75L) PARTS WASHER

## PRODUCT LAYOUT



## PARTS LIST

Figure	Description	Qty.
1	Cover	4
2	Fusible Link	1
3	Shaft	1
4	Work Basket	1
5	Work Shelf	1
6	Body	1
7	O-ring	1
8	Plug	1
9	M6 Nut	24
10	Spring Washer	24
11	M6 x 12 Screw	24
12	Leg	4
13	Shelf	1
14	Filter Cover	1
15	Filter	1
16	Pump Housing Cover	1
17	M5 x 20 Screw	1
18	M5 Nut	1
19	Pump Housing	1
20	Flexible Pipe	1
21	Elbow Seat	1
22	Strain Relief	1
23	M4 x 8 Screw w/Nut, Spring & Flat Washer	5
24	Switch	1
25	Switch Box	1
26	Elbow-1	1
27	Elbow-2	1
28	O-ring	1
29	Connector	1
30	O-ring	1
31	Pump	1
32	Strain Relief	1
33	Cable & Plug	1
34	Pump Assembly	1

**NOTE:** Not all components of the product are replacement items but are illustrated as a convenient reference for location and position in the assembly sequence.

OEMTOOLS™ and/or its distributors have provided the parts list and assembly diagram as a reference only. Neither OEMTOOLS™ nor its distributors make any representation or warranty of any kind to the buyer and/or user of this tool that he or she is qualified to do any repairs or replace any parts of this product. OEMTOOLS™ and its distributors expressly state that all repairs or parts replacement should be done by certified or licensed technicians. The buyer assumes all risk and liability arising out of his or her repairs or parts replacement to the original production.