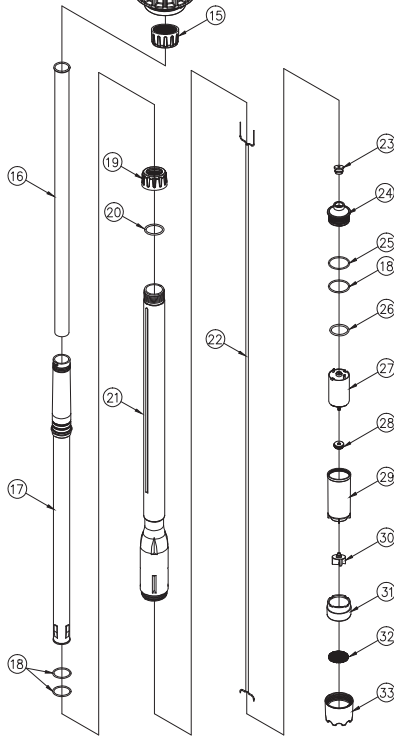
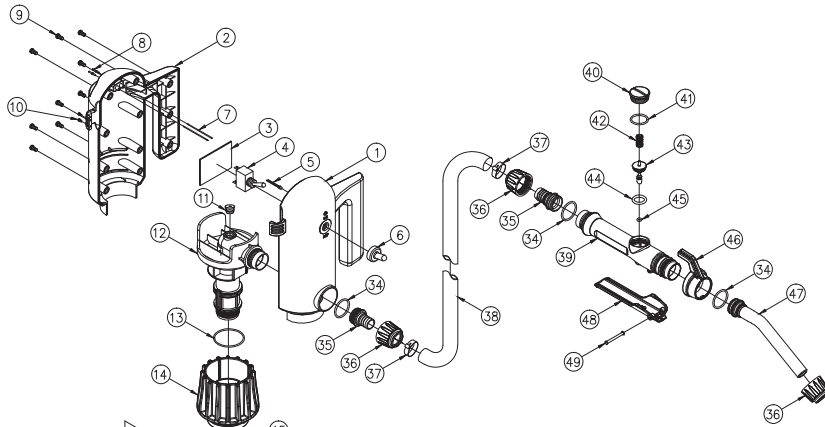


## ASSEMBLY DIAGRAM



NO	PART NAME	QTY
1	FRONT COVER	1
2	BACK COVER	1
3	PCB ASSY	1
4	TOGGLE SWITCH	1
5	LED LAMP	1
6	WATERPROOF CAP	1
7	CONNECTER WIRE	2
8	CONNECTER PIN	2
9	SCREW	9
10	SCREW	2
11	BODY PACKING	1
12	BODY	1
13	O-RING(BODY)	1
14	DRUM BUNG ADAPTER	1
15	LOCK NUT	1
16	STAINLESS STEEL INNER PIPE	1
17	SUCTION PIPE(INNER)	1
18	O-RING(SUCTION PIPE(INNER), MOTOR COVER)	4
19	JOINT NUT(PIPE)	1
20	O-RING(PIPE)	1
21	SUCTION PIPE(OUTER)	1
22	MOTOR WIRE	1
23	MOTOR COVER PACKING	1
24	MOTOR COVER	1
25	O-RING(MOTOR COVER TOP)	1
26	O-RING(MOTOR)	1
27	MOTOR	1
28	MOTOR PACKING	1
29	MOTOR CASE	1
30	IMPELLER	1
31	IMPELLER CASING	1
32	FILTER	1
33	END CAP	1
34	O-RING(HOSE ADAPTER, SPOUT)	3
35	HOSE ADAPTER	2
36	JOINT NUT(HOSE ADAPTER, SPOUT)	3
37	HOSE CLAMP	2
38	DISCHARGE HOSE	1
39	HANDLE	1
40	NOZZLE CAP	1
41	O-RING(NOZZLE CAP)	1
42	NOZZLE SPRING	1
43	NOZZLE PISTON	1
44	O-RING(PISTON L)	1
45	O-RING(PISTON S)	1
46	NOZZLE HOOK	1
47	SPOUT	1
48	NOZZLE LEVER	1
49	RIVET	1

• Specifications are subject to change without notice.

# ELECTRIC DRUM PUMP

ELECTRIC DRUM PUMP for CHEMICALS

## INSTRUCTIONS AND PRECAUTIONS

※ Read all instructions and precautions before use.

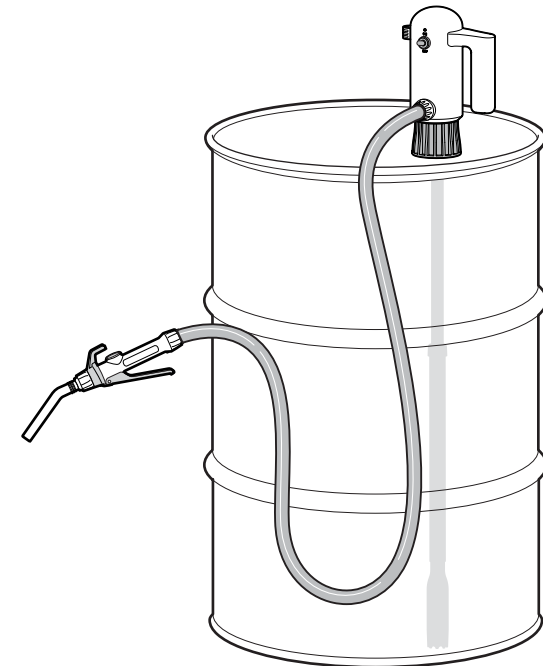
**MODEL : 8017MRG**

US 29/637,330

D755,925

EU 004709087-0001

002681833-0002



## Precautions for Use

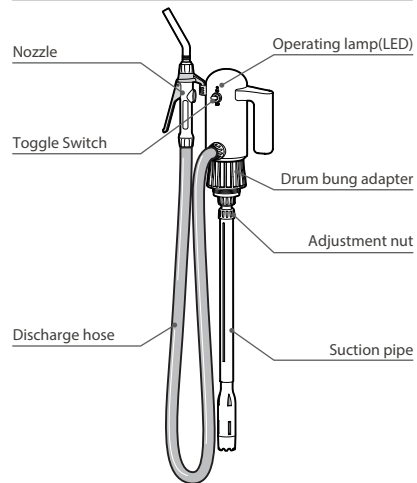


These instructions are to ensure the product is used correctly, safely, and to prevent any possible risk or damage to the user and/or others people. Our company shall not take any responsibility for any failure of product, malfunction and damages caused by improper use by the user or third parties.

<b>⚠ DANGER</b>	<b>⚠ WARNING</b>	<b>⚠ CAUTION</b>
If the directions of this sign are not followed, fatal accidents can happen and the user may die or get seriously injured.	If the directions of this sign are not followed, accidents can happen or the user can get injured.	If the directions of this sign are not followed, the product can get damaged or the user can get injured.

<b>⚠ DANGER</b>	<b>⚠ WARNING</b>	<b>⚠ CAUTION</b>
Do not use this pump for transferring the following liquids; Gasoline, Diesel, Kerosene, Lubricants, Aceton, Benzen, Cresol, Phenol, Concentrated caustic soda liquid, Nitric acid, Hydrochloric acid, Sulfuric acid, thinner or solvents, Etc. Do not use for concentrated acids. Only use on applicable liquids written on the specifications. Make sure to use the pump on even surface. Do not use when the cable and plug is damaged or if plug is loose on outlet. Keep the power supply adapter out of direct sunlight, water vapor, soft coal, dust, and damp air etc. Do not touch and operate any plug or power supply units with wet hands.	Make sure the pump is tightly secured to the drum (tank) before turning the pump on. Do not leave the pump unattended. Do not allow children to operate the product without adult supervision. Wash and clean out the outlet, plug, and plug blades regularly. If the power supply adapter falls into the water, pull the plug out and do not reuse it. Make sure to hold on the plug and pull it out from the outlet. (Do not pull off the cable) Do not get power cord damaged, bent, pulled, twisted, or bound. Do not get the plug and outlet wet in any case. When disposing of pump, make sure to have it completely destroyed so that others won't use it again. When you hand it over to another person, be sure to give them the instructions too.	Do not use deteriorated or contaminated liquids. Do not use this pump for hot liquids above 40°C (104°F). Use it in a well-ventilated area since the power supply adaptor becomes a little hot. Do not run the pump 'dry' or let the pump idle without transferring. Do not run the pump for longer than 15 minutes. Make sure to turn off the power after using the pump. Make sure to remove any left-over liquid in the discharge hose after each use. After using the pump, do not keep it on its side or upside down. Do not alter or disassemble the pump. Do not shock the pump and power supply adapter. Also do not make the power cord tense. When cleaning up the pump, do not use thinner, benzene, organic solvent, or glass cleaners.

## Names of Parts



## How to use flow controller

Pull nozzle lever and turn the nozzle hook left or right towards 6 o'clock direction to increase the flow.  
Before overflow, turn the nozzle hook to 12 o'clock direction and release the nozzle lever to stop flow.  
Keep the nozzle hook at 12 o'clock direction after use.

**⚠ CAUTION!**

**DO NOT LEAVE PUMP UNATTENDED WITH NOZZLE IN LOCKED POSITION WHILE REFUELING.**  
FAILURE TO DO SO CAN RESULT IN OVERFLOW CAUSING DEATH OR SERIOUS INJURY.  
ALWAYS REMOVE NOZZLE FROM LOCKED POSITION AFTER REFUELING AND TURNING OFF.

## Specifications (MODEL: 8017MRG)



Delivery volume	Approx. 16 LPM (4.2 GPM) - DC12V at Water	Operating temperature	+5°C ~ 40°C (41°F ~ 104°F)
Suction pipe length	Approx. 575 ~ 865mm (22.6" ~ 34")	Operating voltage	DC12V
Discharge hose length	Approx. 2m (6.6ft)	Fuse	5A
Applicable liquids	Methanol, Ethanol, DEF(AdBlue), Brake cleaner, Window washer fluids (Especially made of Ethanol), Liquid soap, Water (non potable)	Duty Cycle (how long can the pump be used continuously)	Max 15min. run, 30min. off

## Directions for Use

- 1 Adjust the length of the suction pipe to fit the drum (tank). Insert the suction pipe into the drum (tank).
- 2 Tighten the drum bung adapter.
- 3 Connect the power supply to the Pump.
- 4 Pull out the nozzle from the nozzle holder.
- 5 Place the nozzle into the receiving container to transfer liquid.
- 6 Toggle switch ON(Up).
- 7 Pull the nozzle lever and start supplying the liquid.
- 8 Release the lever when the liquid supply is completed.
- 9 Toggle switch OFF(Down).
- 10 Pulling the lever of the nozzle, lift it up.
- 11 Let the left-over liquid in the hose flow back into the drum (tank).
- 12 Insert the nozzle in the nozzle holder for storage.

Discover other oil change tools and equipment on our website.