

OWNER'S MANUAL
**PEGBOARD
BACK WALL
AND POSTS**

MGBWC01

www.montezumastorage.com

LIFE ORGANIZED

Montezuma is committed to helping you succeed in both your work and personal life by being organized, prepared and equipped with the right tools, gear and home supplies at your finger tips.

We are here to ensure that your life is organized.

Thank you for your purchase of this Montezuma Pegboard Back Wall and Posts.

ATTENTION

TO REDUCE THE RISK OF INJURY, THE USER MUST READ AND UNDERSTAND THIS INSTRUCTION MANUAL BEFORE USING THIS PRODUCT FOR THE FIRST TIME. SAVE THESE INSTRUCTIONS FOR FUTURE REFERENCE.

Fill in the following information and retain this owner's manual for future reference:

MODEL(S):

DATE OF PURCHASE:

PLACE OF PURCHASE:

RECEIPT NO:

SPECIFICATIONS

PEGBOARD BACK WALL AND POSTS

MGBWC01

PEGBOARD

OVERALL DIMENSIONS:

30-1/2" W x 12-5/8" D x 7/8" H

(77.5 cm W x 32 cm D x 2.2 cm H)

NET WEIGHT: 8.8 lb (4 kg)

MAXIMUM WEIGHT CAPACITY: 50 lb (23 kg)

** per each pegboard*

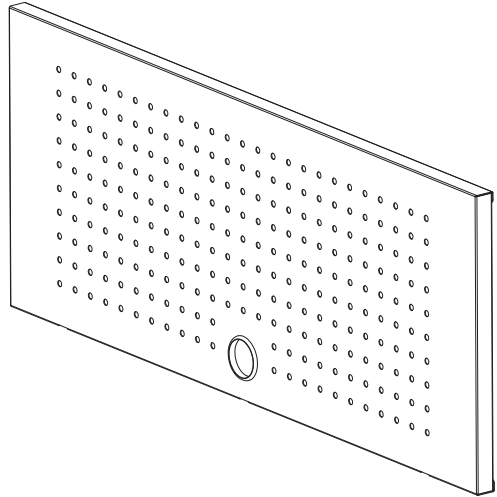
POSTS

OVERALL DIMENSIONS:

2-1/8" W x 1-1/4" D x 65-3/8" H

(5.5 cm W x 3.1 cm D x 166.1 cm H)

NET WEIGHT: 12.1 lb (5.5 kg)



You can use this pegboard back wall and post combination to attach one base cabinet to one wall cabinet.

Base and wall cabinets are sold separately. The following units are available:

4-Drawer Base Cabinet MG30244BC

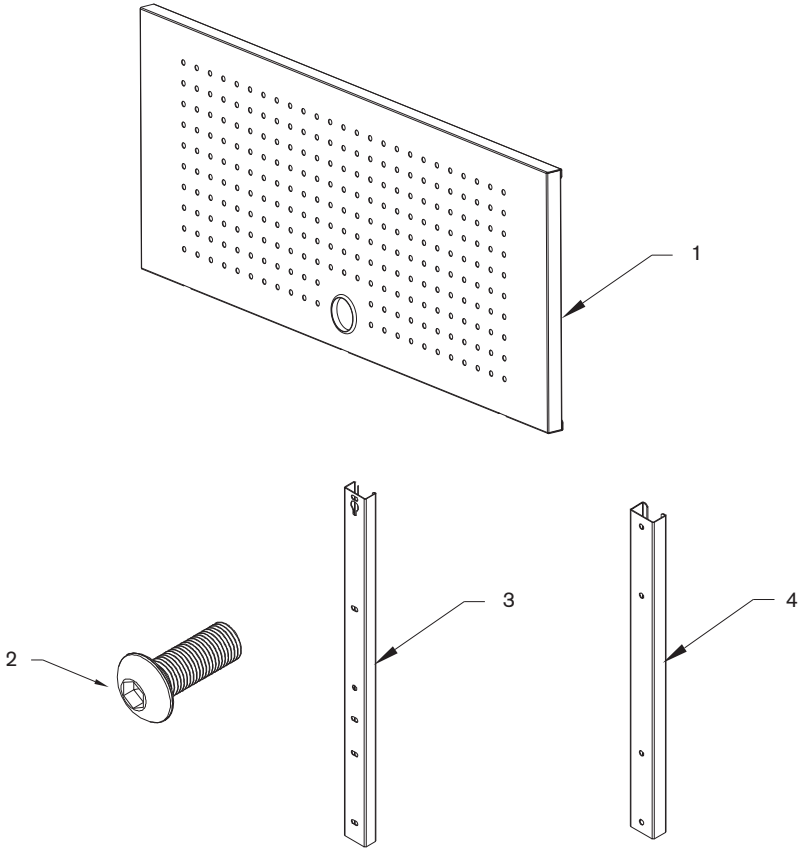
2-Door Base Cabinet MG30242BC

2-Door Wall Cabinet MG30202WC

1-Door Wall Cabinet MG30201WC

Visit www.montezumastorage.com for more information.

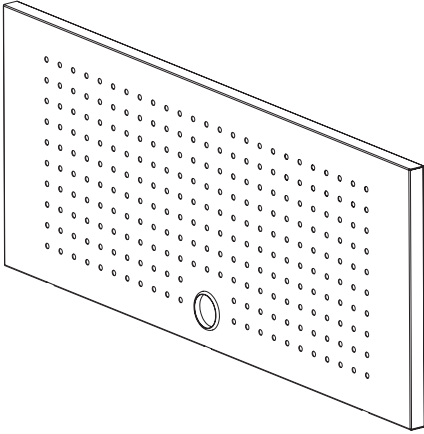
PARTS LIST



REF	DESCRIPTION	PART NUMBER	QTY
1	Pegboard	226913	2
2	M6 x 16 Hex Socket Head Screw	320327	18
3	Post A	226911	4
4	Post B	240368	2

To order replacement parts, email service@montezumastorage.com or call 1-800-459-4409 (Monday–Friday, 8:00 am–4:30 pm, CST). Have the part number and quantity ready. Replacement keys may be ordered using the code that appears on the face of the lock. Not all parts are covered under warranty. Those parts not covered can be purchased.

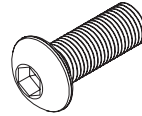
2



Pegboards

For hanging tools

18



M6 x 16 Hex Socket Head Screw

For attaching pegboards to posts

4



Post A

Top and bottom posts in each stack

2



Post B

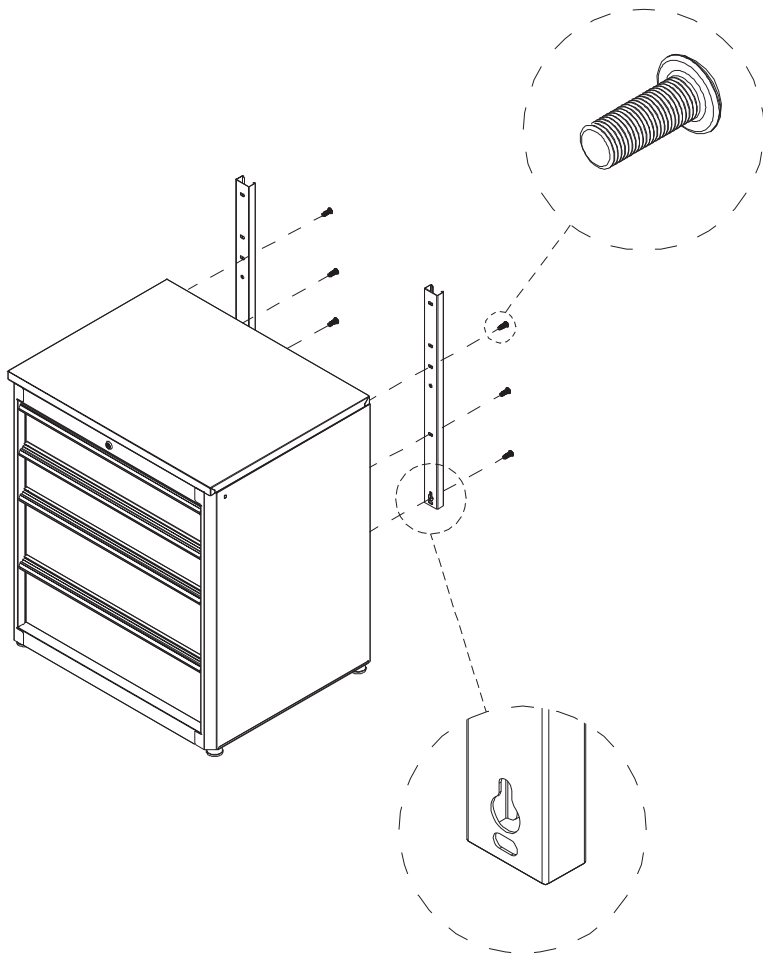
Middle post in each stack

ASSEMBLY

Visit www.montezumastorage.com to watch the how-to video.

Make sure you have first assemble your base cabinet and wall cabinet, as described in the owner's manuals that you received with the units.

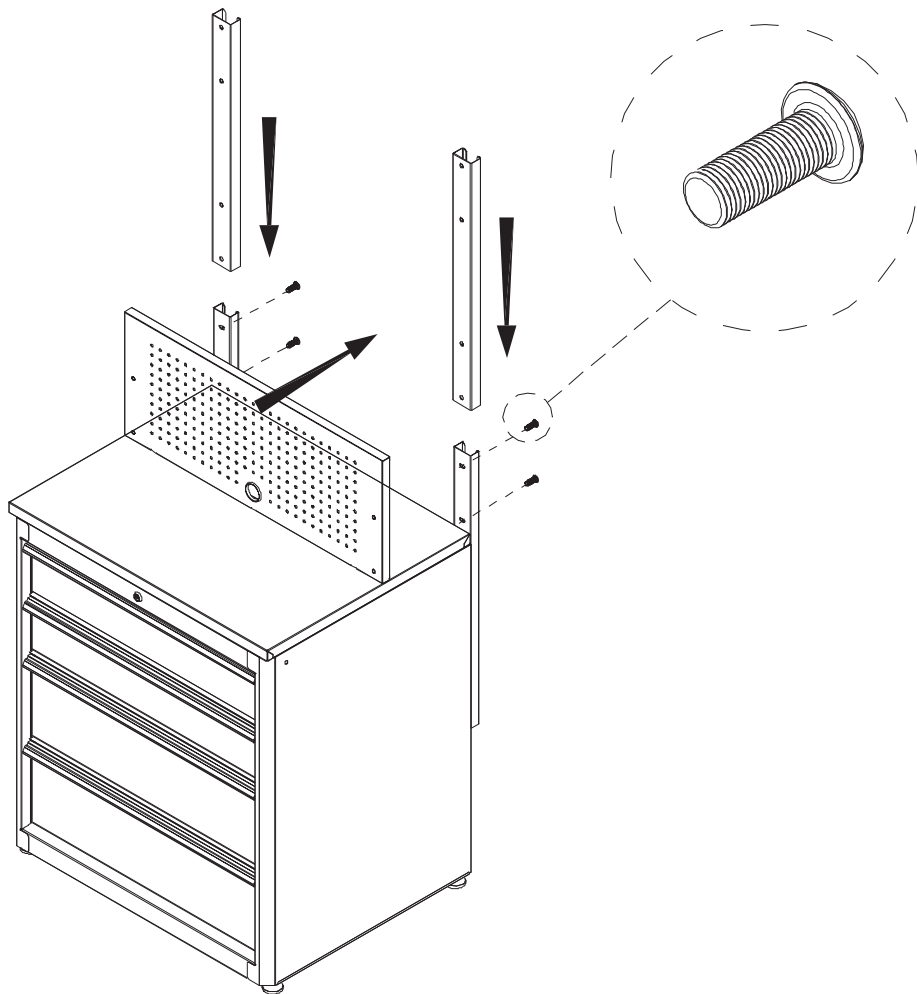
Attach two A posts to the back of the base cabinet using three M6 x 16 hex socket head screws per post.



Slide two B posts fully onto the A posts.

Place one pegboard on the front, making sure the grommet hole is on the bottom.

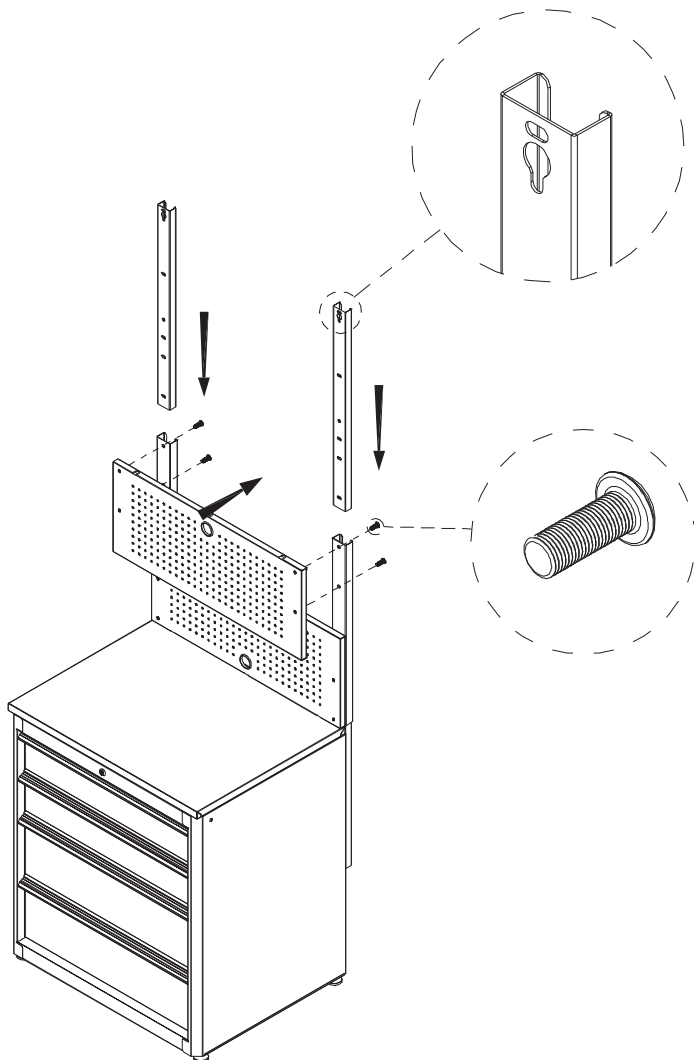
Attach using two M6 x 16 hex socket head screws per post.



Slide two A posts onto the B posts. Make sure to leave enough room at the top for the wall cabinet.

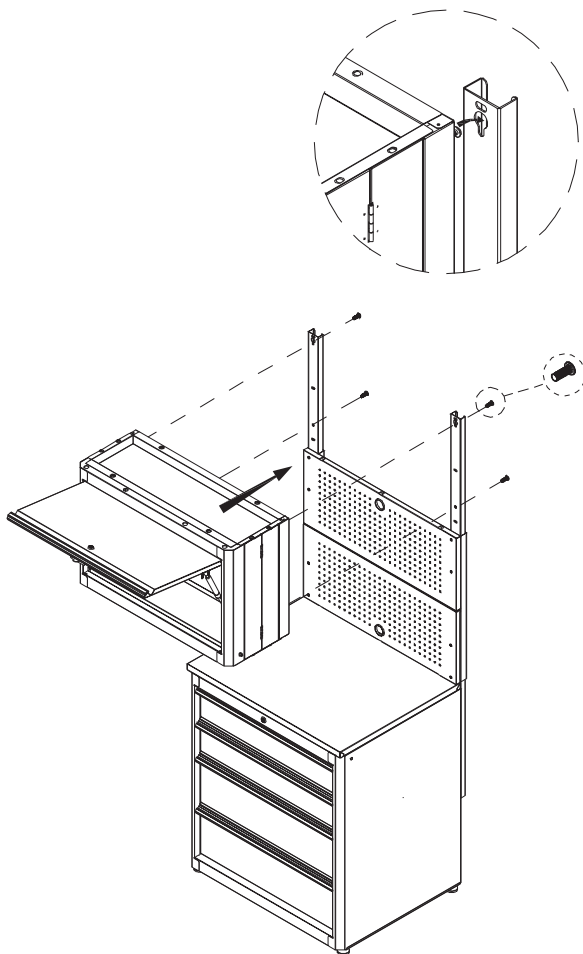
Place one pegboard on the front, making sure the grommet hole is on the top.

Attach using two M6 x 16 hex socket head screws per post.



Insert two M6 x 16 hex socket head screws into the top holes of the wall cabinet, but do not fully tighten. Hang the wall cabinet on the top of the posts, then fully tighten the screws.

Attach the bottom of the wall cabinet to the posts using two additional M6 x 16 hex socket head screws.



If you have purchased other units, assemble them now, then put all units together to build your garage. Be sure to complete any final installation steps described in the owner's manuals that you received with the base cabinet and wall cabinet.

MAINTENANCE

Periodically clean the surfaces with mild detergent and water.

Grease and oil can be removed with most standard cleaning fluids. For safety, use a nonflammable cleaning fluid.

SAFETY

Use two people to move the units into place. Failure to do so can result in back or other injuries.

DO NOT leave children unattended near the garage storage system.

DO NOT alter this product in any manner. For example, do not weld external lock bars or attach electrical equipment. This may cause product damage or personal injury.

Keep the product on level surfaces. The product could become unstable and tip if stored or moved on an uneven surface, which may cause personal injury or product damage.



This product is warranted to be free from defects in materials and workmanship for a period of five (5) years from the date of original purchase.

If this product is defective, email service@montezumastorage.com or call 1-800-459-4409 (Monday–Friday, 8:00 am–4:30 pm, CST). If the product is defective, we will replace the defective part at no cost to you.

Please do not ship your product back to the store or to us unless we send you written instructions for return.

In the event it becomes necessary for your product to be returned, we will notify you how to proceed.

A copy of your original purchase receipt must accompany the returned product.



WARNING

Cancer and Reproductive Harm – www.P65Warnings.ca.gov

Montezuma®

LIFE ORGANIZED



Manufactured by:

QUALITY CRAFT

Romeoville, IL, USA 60446

service@montezumastorage.com

1-800-459-4409

(Monday to Friday, 8:00 am–4:30 pm, CST)

Made in China

www.montezumastorage.com

MGBWC01-04/20