

The background of the page is a black and white photograph of a garage. On the left is a large black trash bin. In the center is a dark-colored Montezuma cabinet with two doors. To the right is a workbench with a hand reaching into a drawer. On the wall above the workbench are coiled cables and a tray of tools. A soccer ball sits on the floor in the lower-left corner.

Montezuma[®]
LIFE ORGANIZED

OWNER'S MANUAL
**2-DOOR
STACKING
CABINET**

MG3024STBC

LIFE ORGANIZED

Montezuma is committed to helping you succeed in both your work and personal life by being organized, prepared and equipped with the right tools, gear and home supplies at your finger tips.

We are here to ensure that your life is organized.

Thank you for your purchase of this Montezuma 2-Door Stacking Cabinet.

ATTENTION

TO REDUCE THE RISK OF INJURY, THE USER MUST READ AND UNDERSTAND THIS INSTRUCTION MANUAL BEFORE USING THIS PRODUCT FOR THE FIRST TIME. SAVE THESE INSTRUCTIONS FOR FUTURE REFERENCE.

Fill in the following information and retain this owner's manual for future reference:

MODEL(S):

DATE OF PURCHASE:

PLACE OF PURCHASE:

RECEIPT NO:

SPECIFICATIONS

2-DOOR STACKING CABINET

MG3024STBC

OVERALL DIMENSIONS:

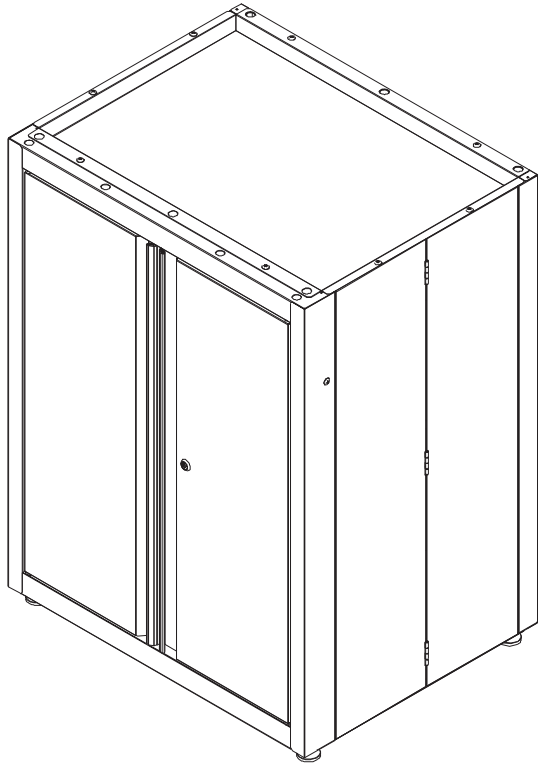
30-1/2" W x 24" D x 40" H

(77.6 cm W x 61 cm D x 101.6 cm H)

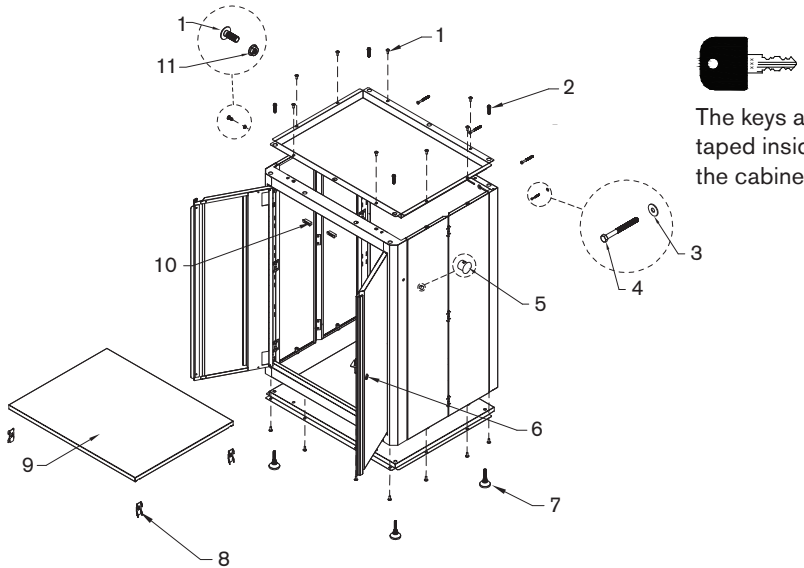
NET WEIGHT: 63.9 lb (29 kg)

MAXIMUM SHELF WEIGHT CAPACITY: 100 lb (45 kg)

** Dimensions do not include adjustable feet.*

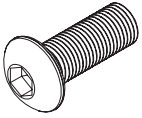


PARTS LIST



REF	DESCRIPTION	PART NUMBER	QTY
1	M6 x 16 Hex Socket Head Screw	320327	20
2	M6 x 35 Hex Flange Bolt	321208	4
3	Washer	324050	3
4	M6 x 65 Hex Tapping Screw	320316	3
5	End Cover	314195	2
6	Lock and Key	304178	1
7	Adjustable Feet	110068	4
8	Shelf Support	226078	4
9	Shelf	116214	1
10	Magnet	312033	2
11	M6 Hex Flange Nut	323085	1

20



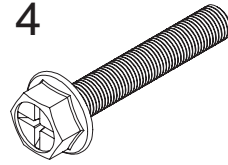
M6 x 16 Hex Socket Head Screw

8 for attaching top panel (top cabinet in stack only)

11 for attaching bottom panel

1 for attaching unit to other units

4



M6 x 35 Hex Flange Bolt

For securing the top and bottom cabinets in a stack together

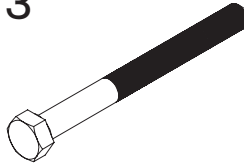
3



Washer

For use with M6 x 65 Hex Tapping Screw

3



M6 x 65 Hex Tapping Screw

For securing unit to the wall

2



End Cover

For covering holes for attaching to other units, if not in use

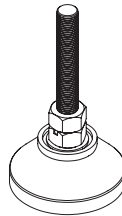
1



Lock and Key

For securing your valuables

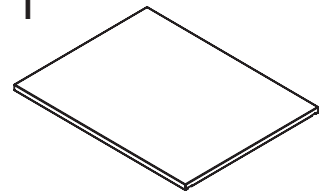
4



Adjustable Feet

For attaching to bottom panel

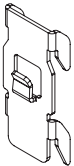
1



Shelf

For placing at desired height

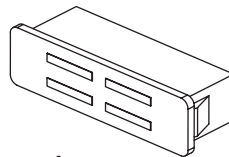
4



Shelf Support

For supporting adjustable shelf

2



Magnet

Pre-installed
For keeping doors closed

1



M6 Hex Flange Nut

For use with M6 x 16 hex Socket Head Screw when attaching unit to other units

ASSEMBLY

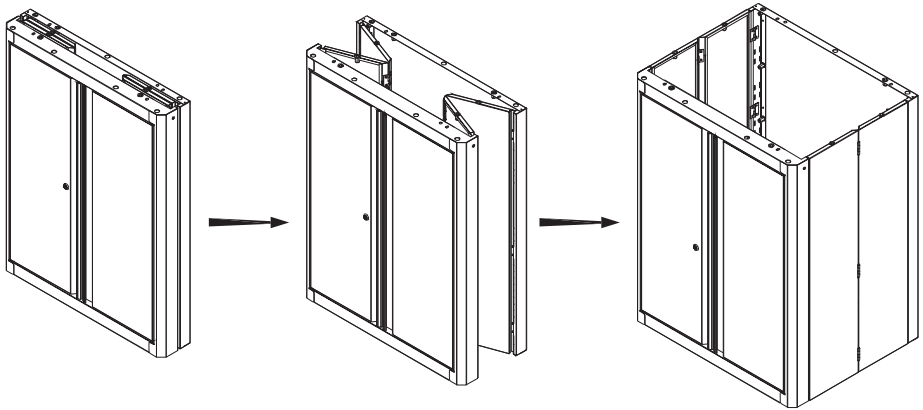
Visit www.montezumastorage.com to watch the how-to video.

ASSEMBLING THE BOTTOM CABINET IN THE STACK

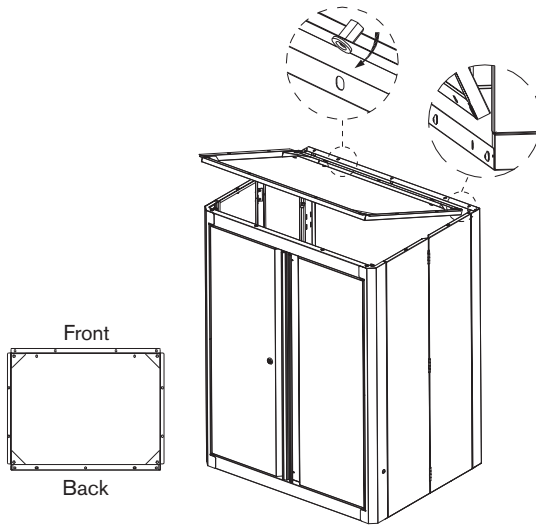
Choose one cabinet to be the bottom cabinet in your stack.

Carefully separate the front and back panels, allowing the side panels to unfold completely.

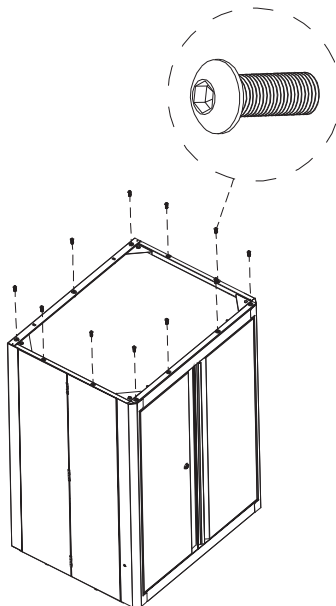
Make sure the unit is upside down.



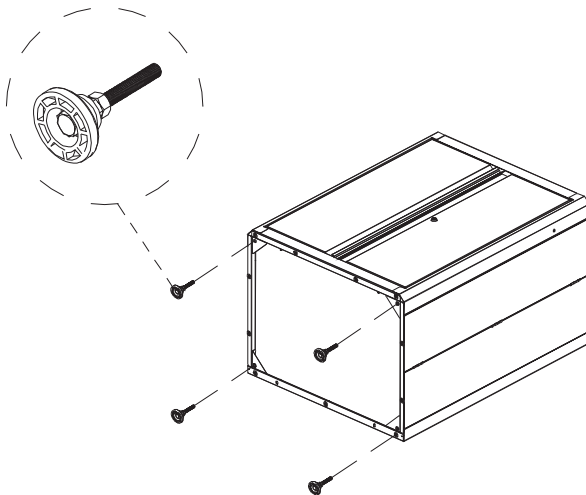
Insert the lip of the bottom panel into the slot in the back of the cabinet, then tilt the bottom panel down. Make sure the holes are aligned.



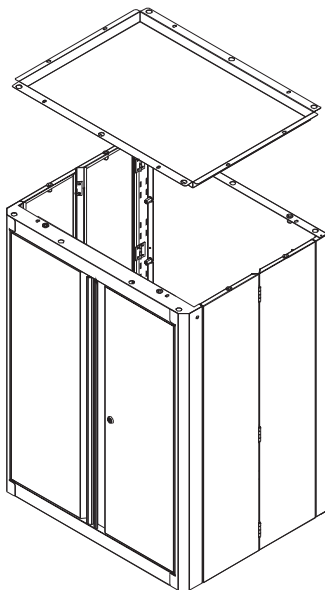
Attach the bottom panel using eleven M6 x 16 hex socket head screws.



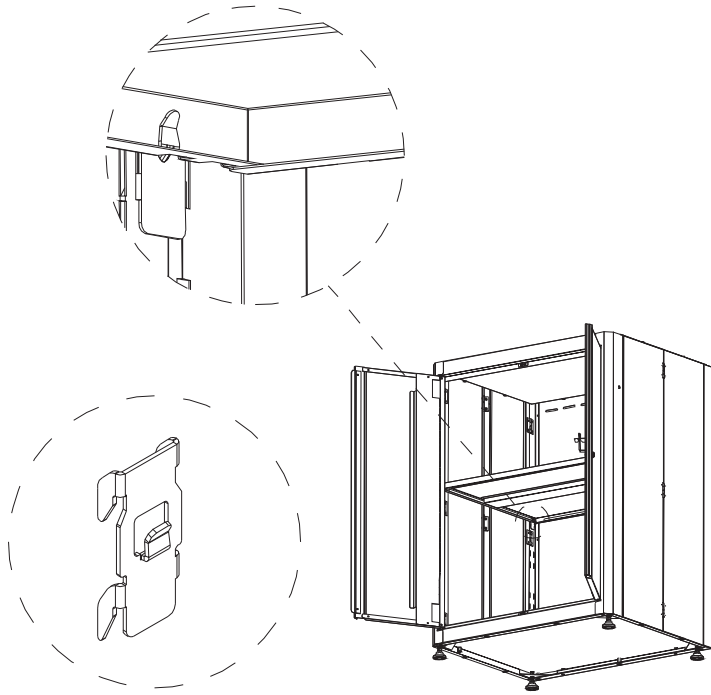
Screw the four adjustable feet into the cabinet bottom.



Turn the cabinet back to the upright position. Place the top panel on the cabinet, but do not attach.



Insert four shelf supports inside the cabinet at the desired height.
Place the shelf on the shelf supports.

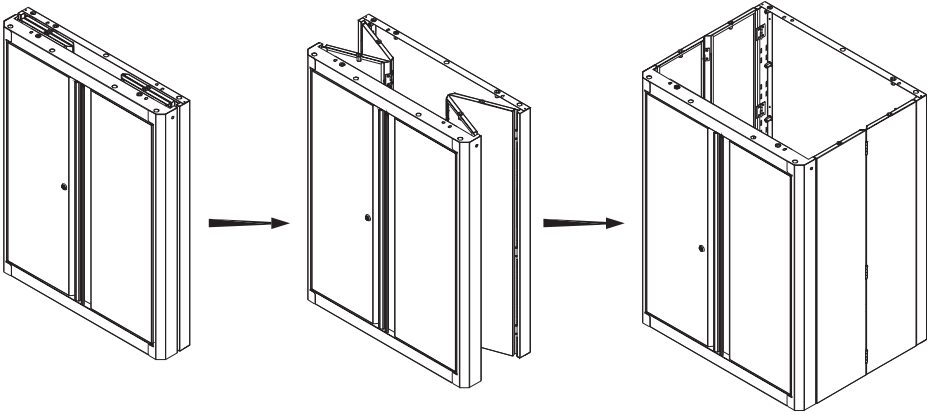


ASSEMBLING THE TOP CABINET IN THE STACK

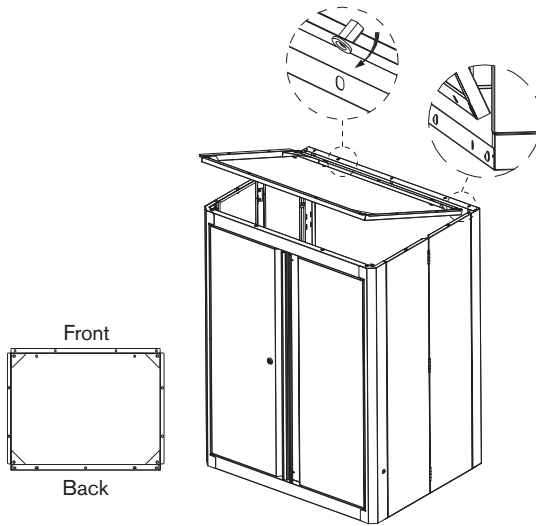
Choose another cabinet to be the top cabinet in your stack.

Carefully separate the front and back panels, allowing the side panels to unfold completely.

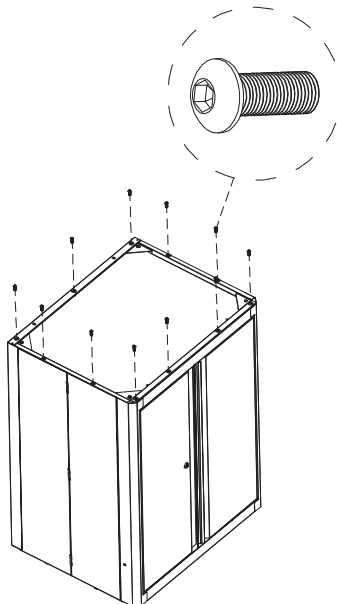
Make sure the cabinet is upside down.



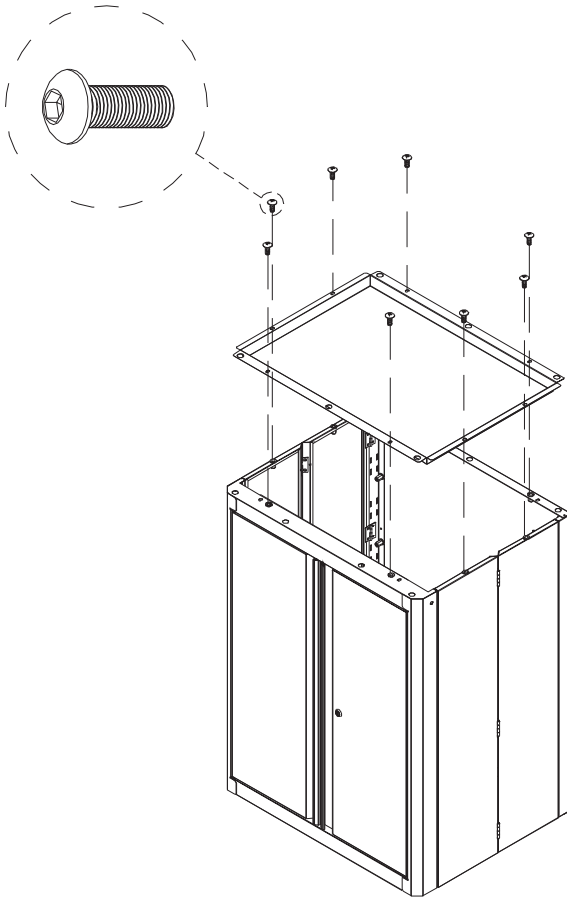
Insert the lip of the bottom panel into the slot in the back of the cabinet, then tilt the bottom panel down. Make sure the holes are aligned.



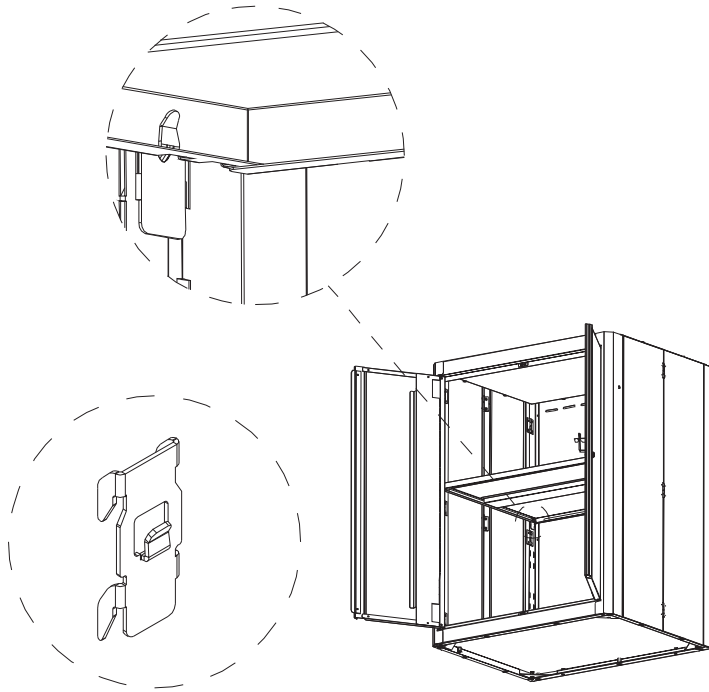
Attach the bottom panel using eleven M6 x 16 hex socket head screws.



Attach the top panel to the cabinet using eight M6 x 16 hex socket head screws.



Insert four shelf supports inside the cabinet at the desired height.
Place the shelf on the shelf supports.

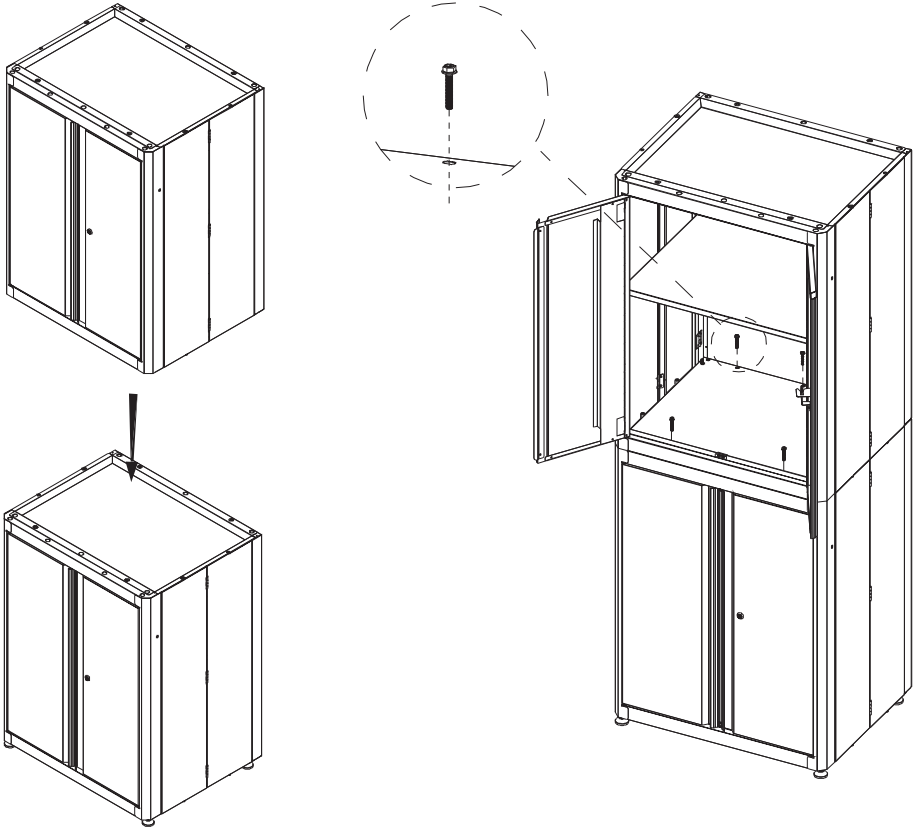


STACKING CABINETS

Stack your top cabinet on top of your bottom cabinet.

Open the doors on the top cabinet to access the bolt holes. Make sure the holes in the top and bottom cabinet are aligned.

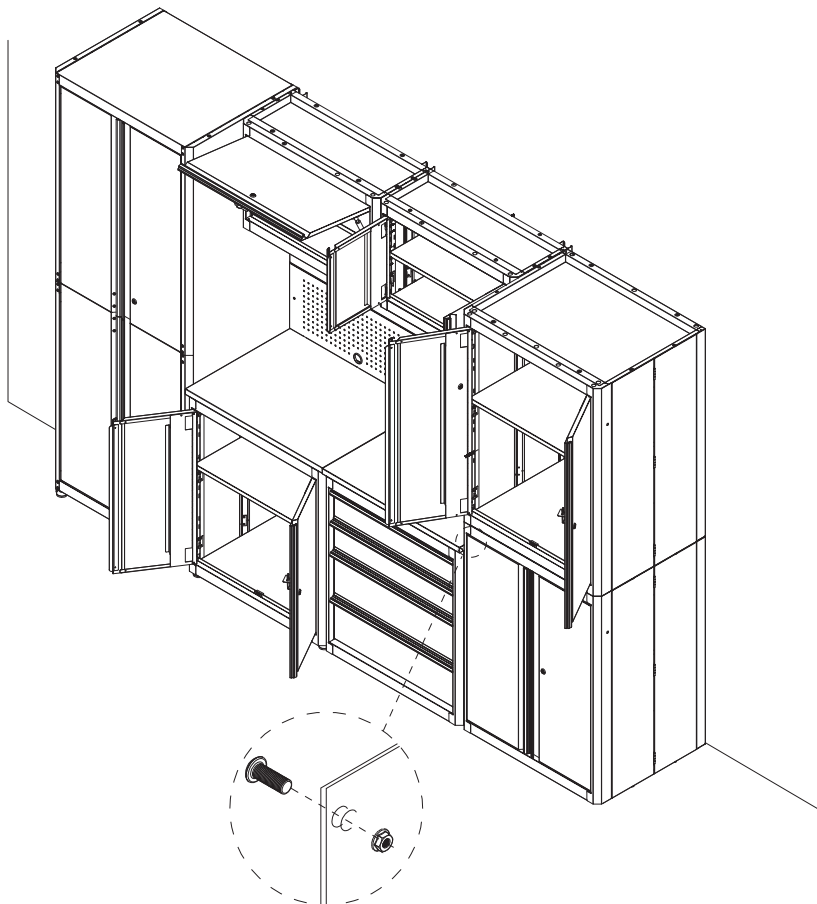
Attach your top cabinet to your bottom cabinet using four M6 x 35 hex flange bolts.



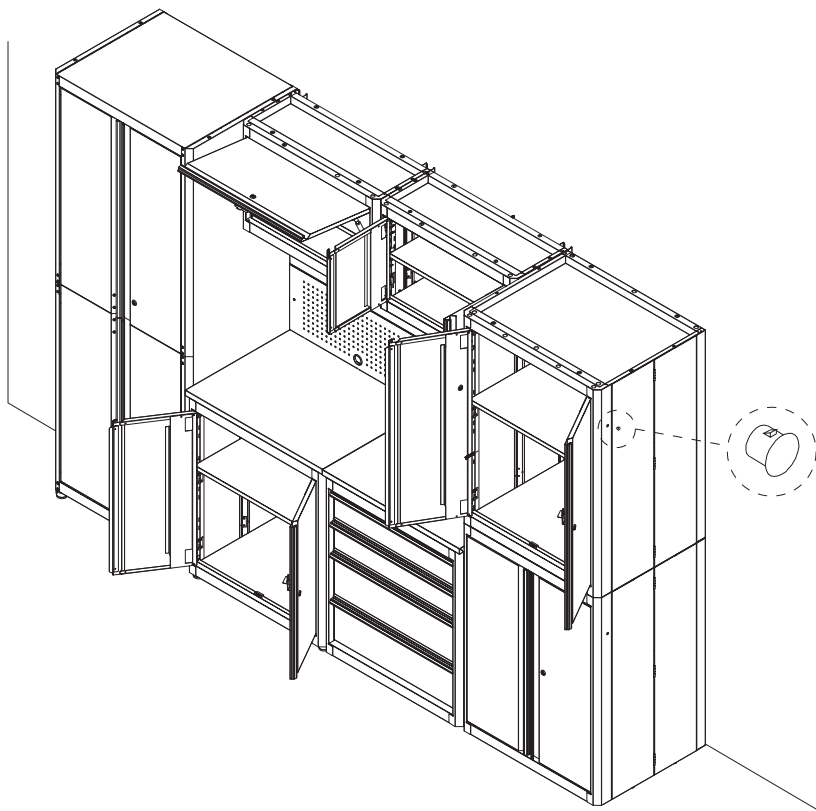
INSTALLATION

If you have purchased other units, assemble them now, then put all units together to build your garage.

For a better appearance, attach units together using a M6 x 16 hex socket head screw and M6 hex flange nut. Holes are located at the top front side of each unit.

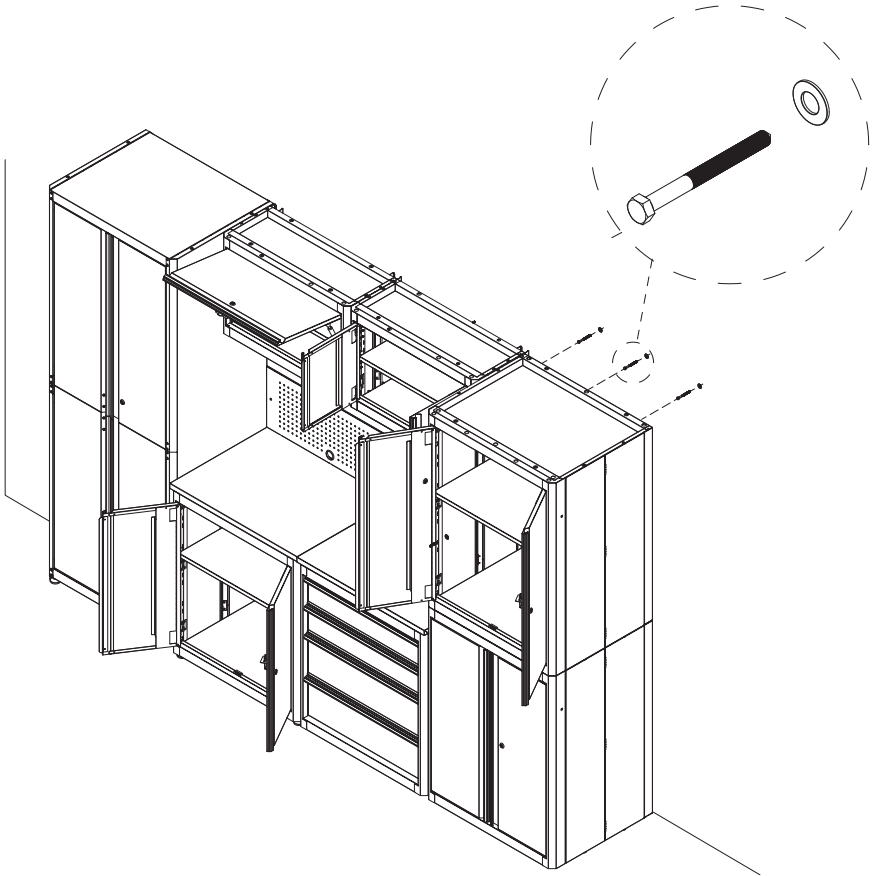


Hide holes on the exterior ends of the units with the supplied end covers, if necessary.



For safety, secure the tops of the each unit to the wall using three M6 x 65 hex tapping screws and washers.

For best results, mount to studs or other solid surfaces. Do not mount to drywall as it will not support the required weight and poses a danger if mounted incorrectly.



MAINTENANCE

Periodically clean the door fronts, trim, and other surfaces with mild detergent and water.

Grease and oil can be removed with most standard cleaning fluids. For safety, use a nonflammable cleaning fluid.

SAFETY

Use two people to move the units into place. Failure to do so can result in back or other injuries.

DO NOT leave children unattended near the garage storage system.

DO NOT stand or lean on this product.

DO NOT alter this product in any manner. For example, do not weld external lock bars or attach electrical equipment. This may cause product damage or personal injury.

Close and lock the doors before moving this product. The doors could come open and make the product unstable and tip, which may cause personal injury or product damage.

Keep the product on level surfaces. The product could become unstable and tip if stored or moved on an uneven surface, which may cause personal injury or product damage.

Montezuma®

LIFE ORGANIZED

