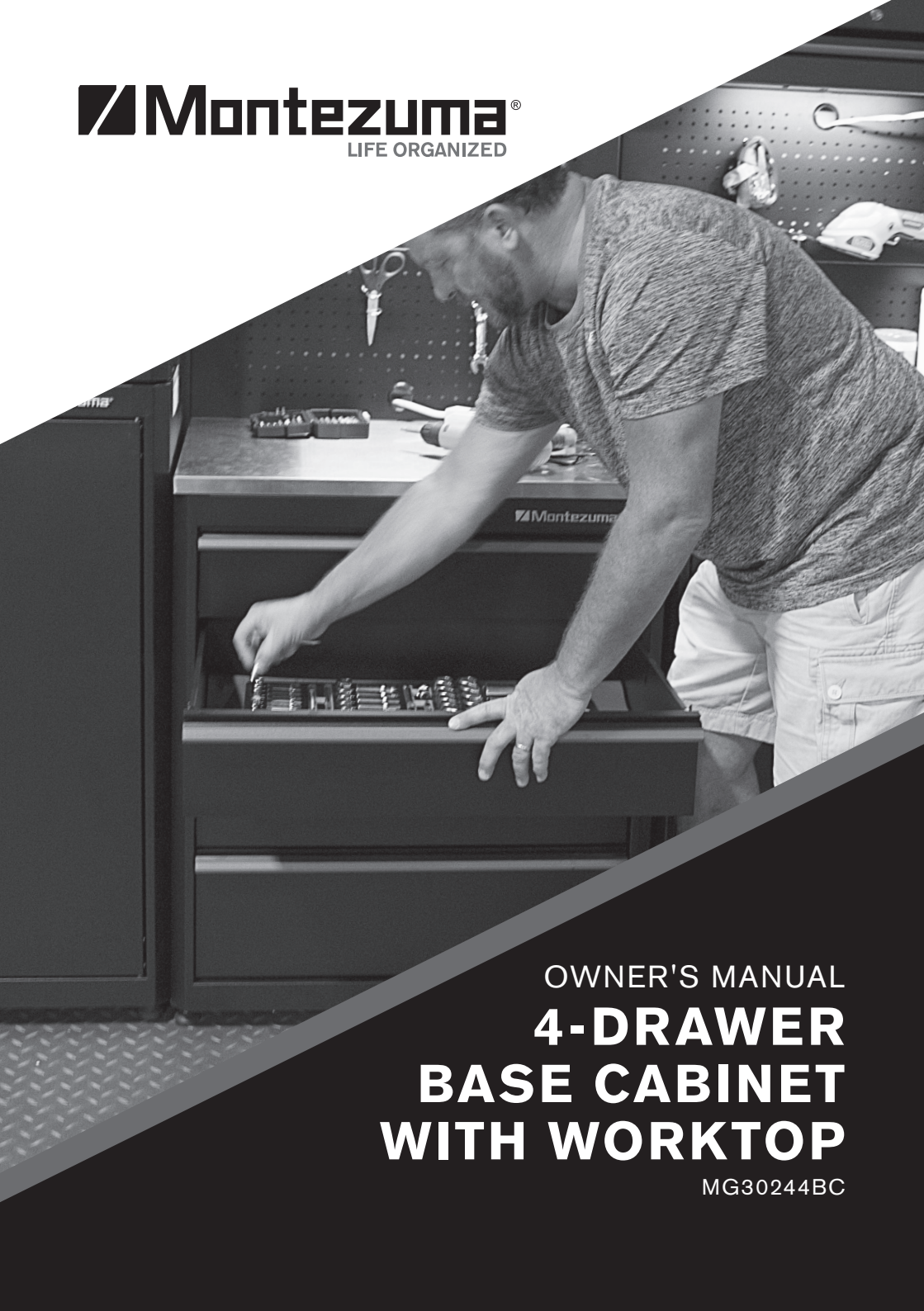


 **Montezuma**[®]
LIFE ORGANIZED



OWNER'S MANUAL
**4-DRAWER
BASE CABINET
WITH WORKTOP**

MG30244BC

LIFE ORGANIZED

Montezuma is committed to helping you succeed in both your work and personal life by being organized, prepared and equipped with the right tools, gear and home supplies at your finger tips.

We are here to ensure that your life is organized.

Thank you for your purchase of this Montezuma 2-Drawer Base Cabinet.

ATTENTION

TO REDUCE THE RISK OF INJURY, THE USER MUST READ AND UNDERSTAND THIS INSTRUCTION MANUAL BEFORE USING THIS PRODUCT FOR THE FIRST TIME. SAVE THESE INSTRUCTIONS FOR FUTURE REFERENCE.

Fill in the following information and retain this owner's manual for future reference:

MODEL(S):

DATE OF PURCHASE:

PLACE OF PURCHASE:

RECEIPT NO:

SPECIFICATIONS

4-DRAWER BASE CABINET WITH WORKTOP

MG30244BC

BASE CABINET

OVERALL DIMENSIONS:

30-1/2" W x 24-1/8" D x 34-3/4" H
(77.6 cm W x 61.3 cm D x 88.1 cm H)
NET WEIGHT: 125.7 lb (57 kg)

MAXIMUM WEIGHT CAPACITY: 500 lb (227 kg)

MAXIMUM DRAWER CAPACITY: 100 lb (45 kg)

INSIDE DRAWER DIMENSIONS:

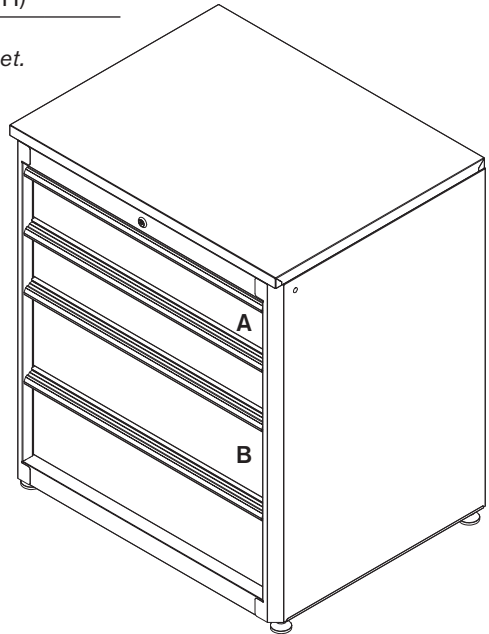
REF	DIMENSIONS	QTY
A	26-3/8" W x 20-3/4" D x 5-1/4" H (67.1 cm W x 52.8 cm D x 13.4 cm H)	2
B	26-3/8" W x 20-3/4" D x 8-1/4" H (67.1 cm W x 52.8 cm D x 20.9 cm H)	2

* Dimensions do not include adjustable feet.

STAINLESS STEEL WORKTOP

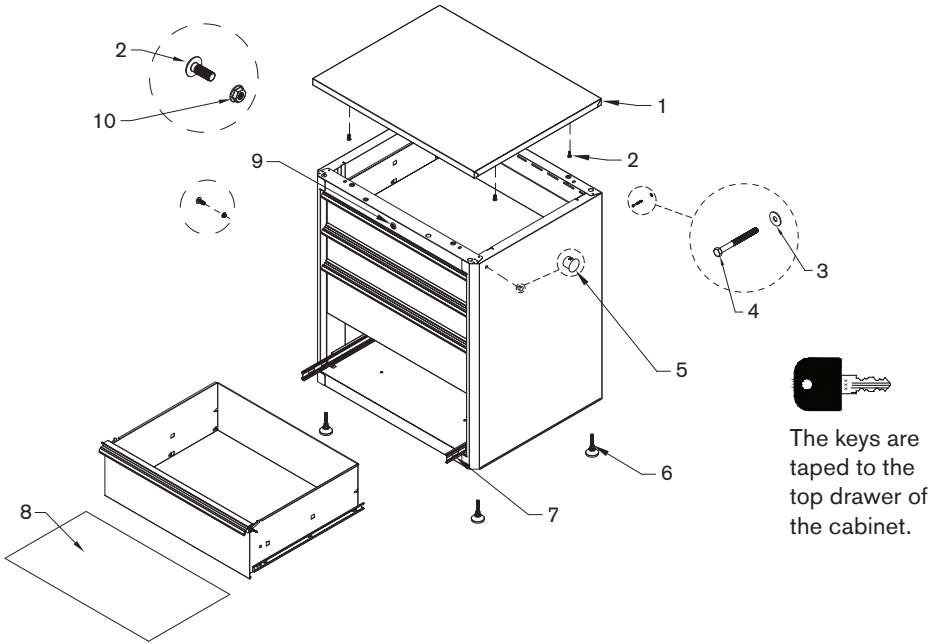
OVERALL DIMENSIONS:

30-1/2" W x 24" D x 1" H
(77.6 cm W x 61 cm D x 2.7 cm H)
NET WEIGHT: 25.4 lb (11.5 kg)



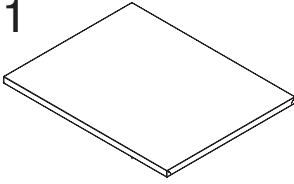
Stainless steel worktop included.
Galvanized steel worktops also available.

PARTS LIST



REF	DESCRIPTION	PART NUMBER	QTY
1	Stainless Steel Worktop	116238	1
2	M6 x 16 Hex Socket Head Screw	320327	5
3	Washer	324050	3
4	M6 x 65 Hex Tapping Screw	320316	3
5	End Cover	314195	2
6	Adjustable Feet	110068	4
7	Slide Set	300176-300177	4
8	Drawer Liner	552120	4
9	Lock and Key	304178	1
10	M6 Hex Flange Nut	323085	1

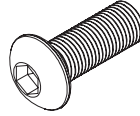
1



Stainless Steel Worktop

For attaching to top of cabinet

5



M6 x 16 Hex Socket Head Screw

4 for attaching worktop
1 for attaching unit to other units

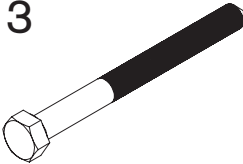
3



Washer

For use with M6 x 65 Hex Tapping Screw

3



M6 x 65 Hex Tapping Screw

For securing unit to the wall

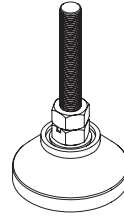
2



End Cover

For covering holes for attaching to other units, if not in use

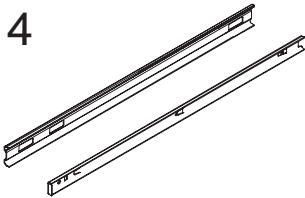
4



Adjustable Feet

For attaching to bottom panel

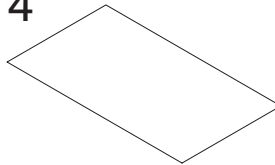
4



Slide Set

Pre-installed
For installing drawers

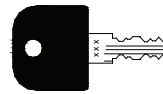
4



Drawer Liner

For protecting drawers

1



Lock and Key

For securing your valuables

1



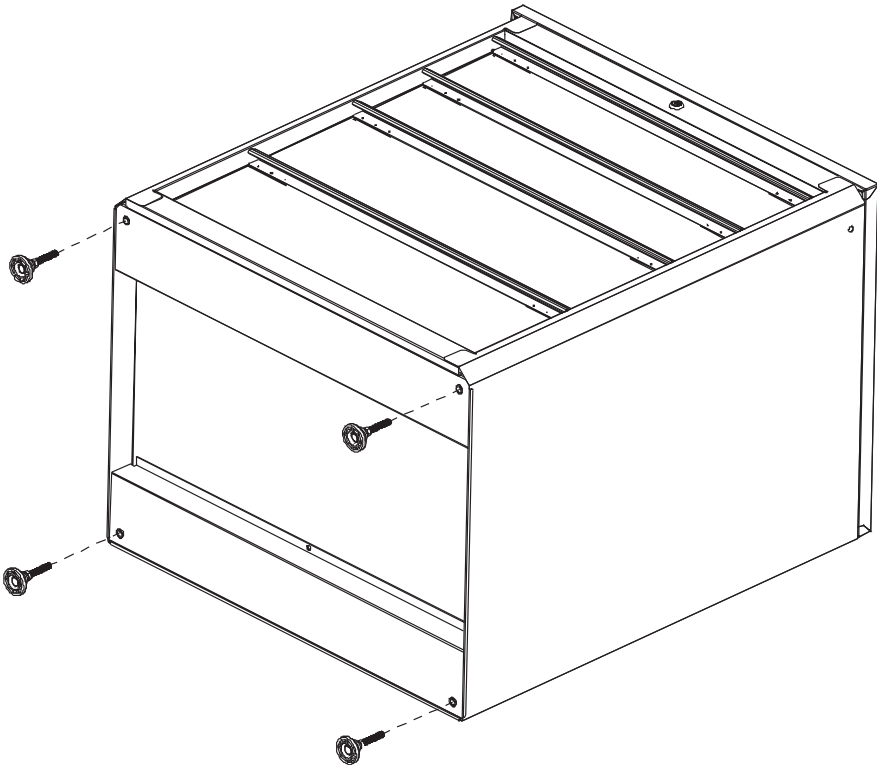
M6 Hex Flange Nut

For use with M6 x 16 hex Socket Head Screw when attaching unit to other units

ASSEMBLY

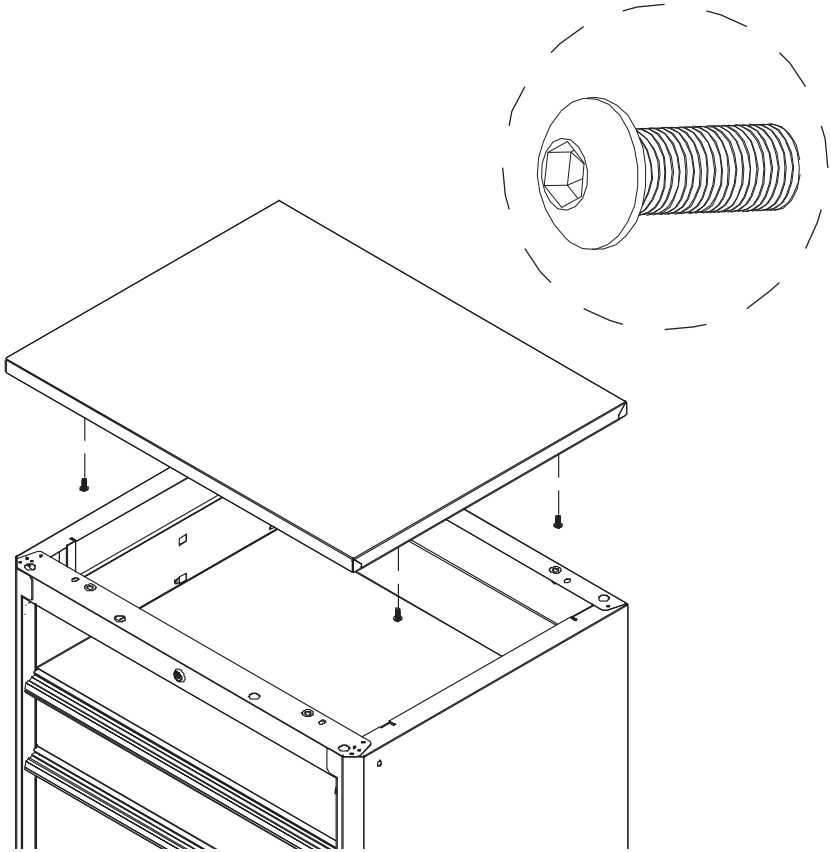
Visit www.montezumastorage.com to watch the how-to video.

Carefully lay the cabinet on its back, with a soft mat underneath for protection.
Screw the four adjustable feet into the cabinet bottom. Turn the cabinet upright.



To add a worktop, remove the top drawer from the cabinet.

Attach the worktop to the cabinet using four M6 x 16 hex socket head screws.



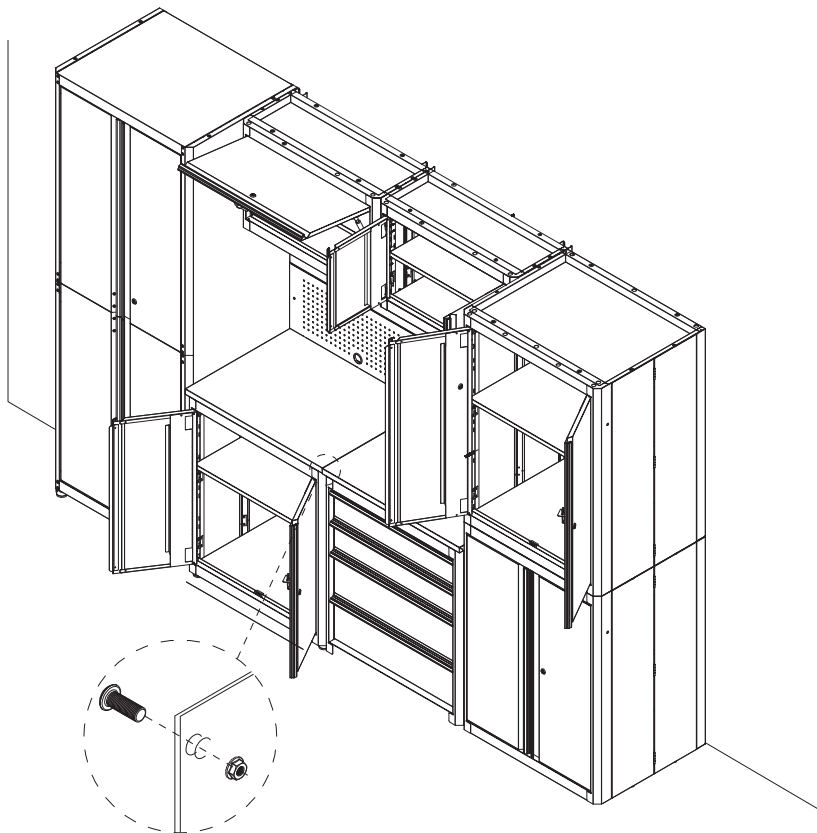
If you have purchased a pegboard back wall, posts and wall cabinet, refer to the owner's manual for the pegboard back wall and posts for how to install them on your base cabinet.

WARNING: DO NOT STACK A BASE 4-DRAWER CABINET ON TOP OF ANOTHER CABINET.

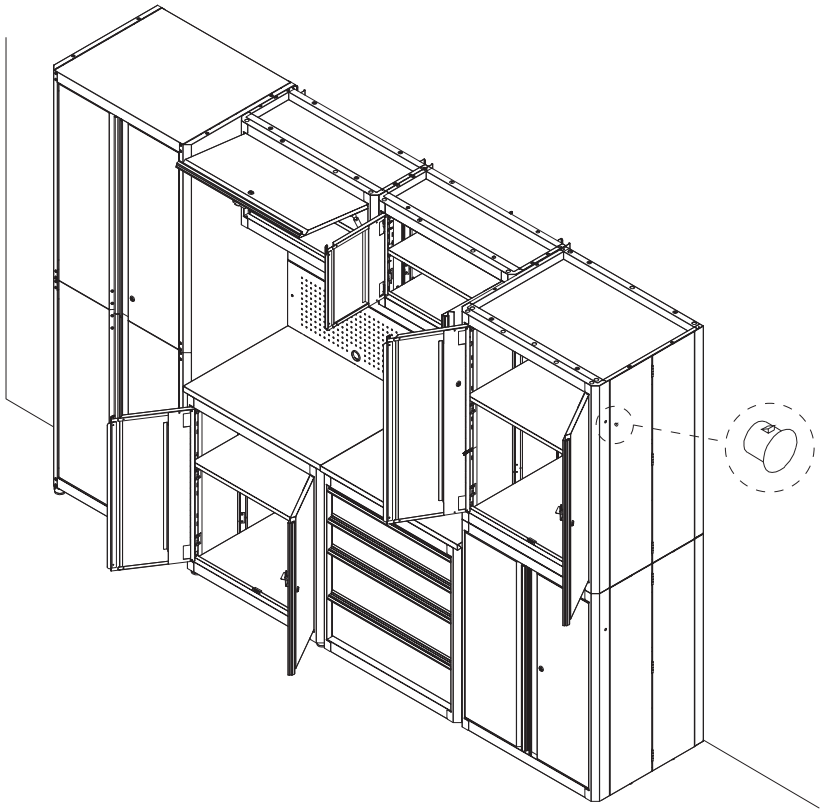
INSTALLATION

If you have purchased other units, assemble them now, then put all units together to build your garage.

For a better appearance, attach units together using a M6 x 16 hex socket head screw and M6 hex flange nut. Holes are located at the top front side of each unit.

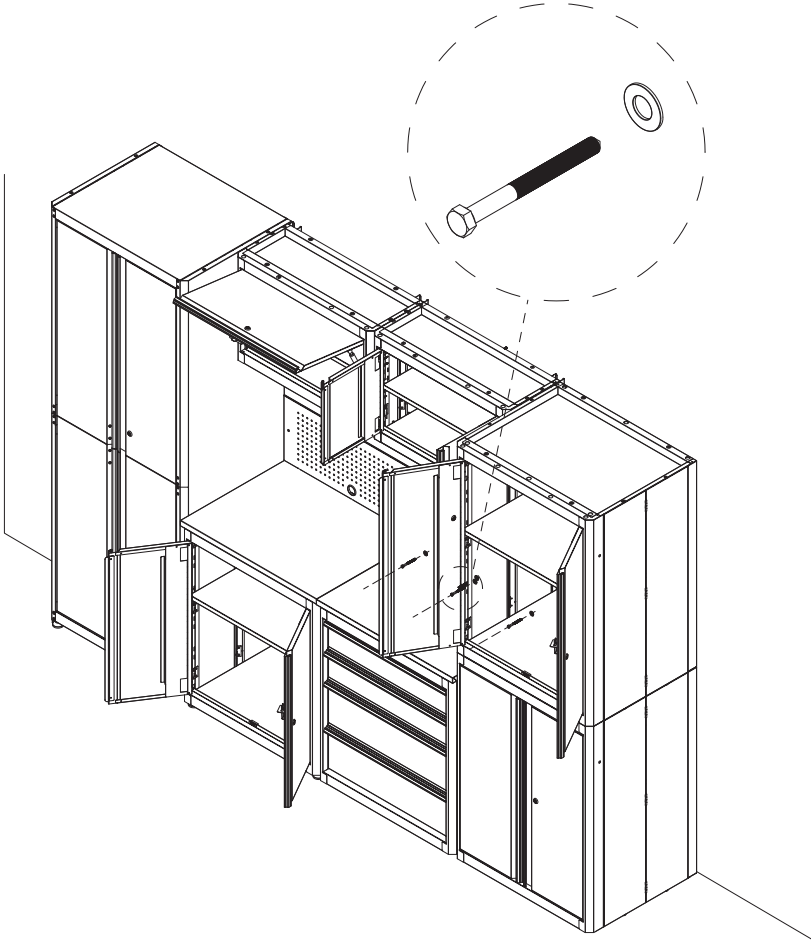


Hide holes on the exterior ends of the units with the supplied end covers, if necessary.



For safety, secure the tops of the each unit to the wall using three M6 x 65 hex tapping screws and washers.

For best results, mount to studs or other solid surfaces. Do not mount to drywall as it will not support the required weight and poses a danger if mounted incorrectly.

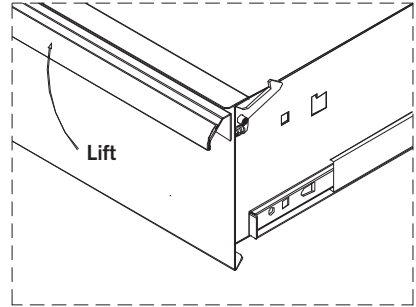


OPERATION

RAISE AND RELEASE DRAWER FRONTS

These units are equipped with raise and release drawer fronts. To open, lift up on the drawer front while pulling towards you. To close, shut the drawer firmly until the latch engages.

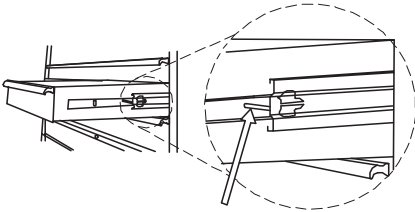
If the drawer does not stay closed, the hook may be bent, or it may be rubbing against the drawer slides. To fix this problem, lightly bend the hook until the drawer will engage in the slide.



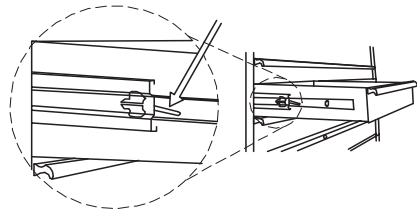
DRAWER REMOVAL

Pull the drawer out so that it's almost fully extended. Push up on the black release lever on one side, while pushing down on the black release lever on the other side. While holding the levers in these positions, pull the drawer outward until it is released from the drawer slide.

ONE SIDE – PUSH UP



OTHER SIDE – PUSH DOWN



DRAWER REPLACEMENT

Extend the drawer slides from the unit. Insert the brackets on each side of the drawer into the slots in the slides, being careful that they are properly positioned. Once properly inserted, completely close the drawer to set the slides in position.

MAINTENANCE

Periodically clean the door and drawer fronts, trim, and other surfaces with mild detergent and water.

Lubricate the slides (twice a year) with a product like WD40 or other quality lubricant. This is especially important in low temperatures, which can cause the bearing to become stiff.

Grease and oil can be removed with most standard cleaning fluids. For safety, use a nonflammable cleaning fluid.

SAFETY

Use two people to move the units into place. Failure to do so can result in back or other injuries.

DO NOT leave children unattended near the garage storage system.

DO NOT stand on this product or lean on the drawers or work surfaces.

WEAR SAFETY GLASSES when removing or repositioning the slides. The tool could slip, which may cause personal injury.

DO NOT alter this product in any manner. For example, do not weld external lock bars or attach electrical equipment. This may cause product damage or personal injury.

Close and lock the doors and drawers before moving this product. The drawers could come open and make the product unstable and tip, which may cause personal injury or product damage.

BE CAREFUL when opening more than one drawer. The product could become unstable and tip, which may cause personal injury or product damage.

Keep the product on level surfaces. The product could become unstable and tip if stored or moved on an uneven surface, which may cause personal injury or product damage.



WARNING

Cancer and Reproductive Harm – www.P65Warnings.ca.gov

 **Montezuma**[®]
LIFE ORGANIZED

