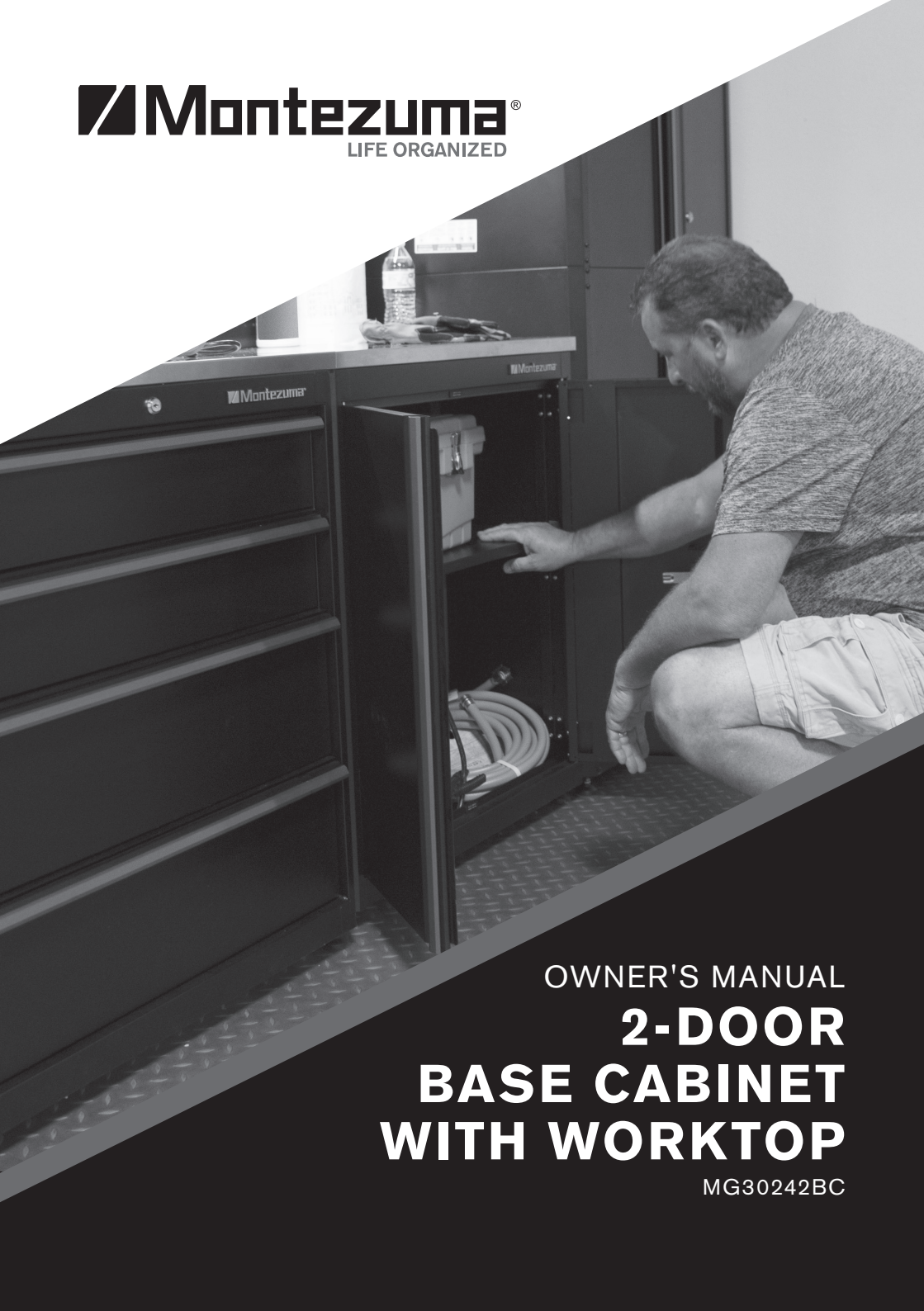


Montezuma[®]
LIFE ORGANIZED



OWNER'S MANUAL
**2-DOOR
BASE CABINET
WITH WORKTOP**

MG30242BC

LIFE ORGANIZED

Montezuma is committed to helping you succeed in both your work and personal life by being organized, prepared and equipped with the right tools, gear and home supplies at your finger tips.

We are here to ensure that your life is organized.

Thank you for your purchase of this Montezuma 2-Door Base Cabinet.

ATTENTION

TO REDUCE THE RISK OF INJURY, THE USER MUST READ AND UNDERSTAND THIS INSTRUCTION MANUAL BEFORE USING THIS PRODUCT FOR THE FIRST TIME. SAVE THESE INSTRUCTIONS FOR FUTURE REFERENCE.

Fill in the following information and retain this owner's manual for future reference:

MODEL(S):

DATE OF PURCHASE:

PLACE OF PURCHASE:

RECEIPT NO:

SPECIFICATIONS

2-DOOR BASE CABINET WITH WORK TOP

MG30242BC

BASE CABINET

OVERALL DIMENSIONS:

30-1/2" W x 24" D x 34-3/4" H

(77.6 cm W x 61 cm D x 88.1 cm H)

NET WEIGHT: 77.2 lb (35 kg)

MAXIMUM SHELF WEIGHT CAPACITY: 100 lb (45 kg)

** Dimensions do not include adjustable feet.*

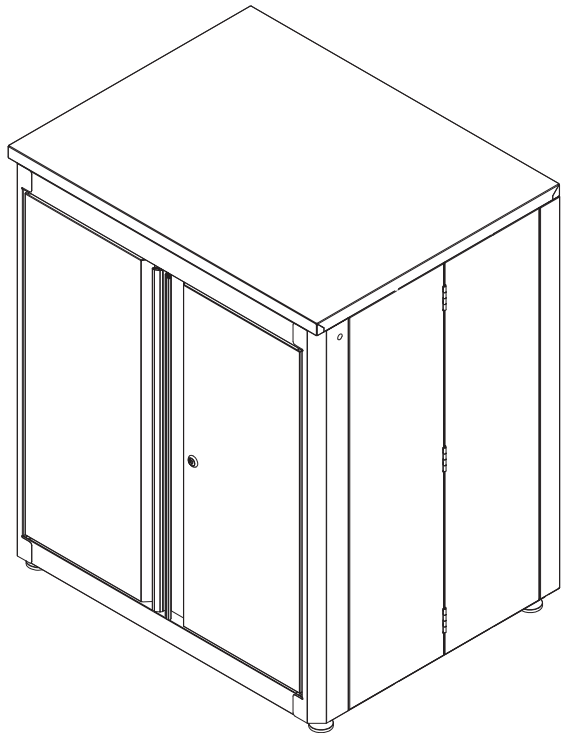
STAINLESS STEEL WORKTOP

OVERALL DIMENSIONS:

30-1/2" W x 24" D x 1" H

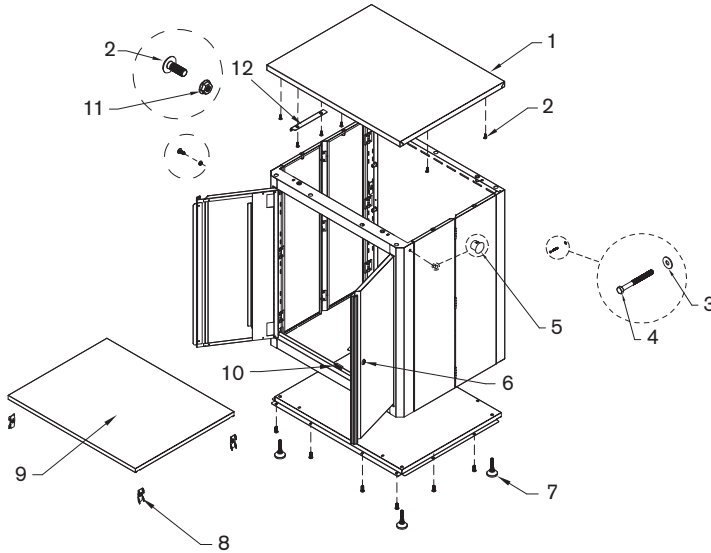
(77.6 cm W x 61 cm D x 2.7 cm H)

NET WEIGHT: 25.4 lb (11.5 kg)



Stainless steel worktop included.
Galvanized steel worktops also
available.

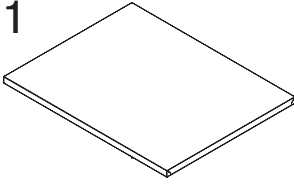
PARTS LIST



The keys are taped inside the cabinet.

REF	DESCRIPTION	PART NUMBER	QTY
1	Stainless Steel Worktop	116238	1
2	M6 x 16 Hex Socket Head Screw	320327	20
3	Washer	324050	3
4	M6 x 65 Hex Tapping Screw	320316	3
5	End Cover	314195	2
6	Lock and Key	304178	1
7	Adjustable Feet	110068	4
8	Shelf Support	226078	4
9	Shelf	116214	1
10	Magnet	312033	2
11	M6 Hex Flange Nut	323085	1
12	Bracket	234542	2

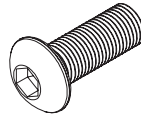
1



Stainless Steel Worktop

For attaching to top of cabinet

20



M6 x 16 Hex Socket Head Screw

8 for attaching worktop
11 for attaching bottom panel
1 for attaching unit to other units

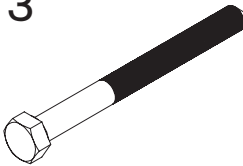
3



Washer

For use with M6 x 65 Hex Tapping Screw

3



M6 x 65 Hex Tapping Screw

For securing unit to the wall

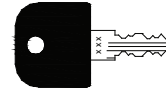
2



End Cover

For covering holes for attaching to other units, if not in use

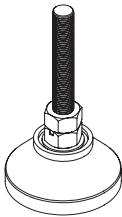
1



Lock and Key

For securing your valuables

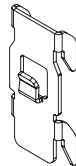
4



Adjustable Feet

For attaching to bottom panel

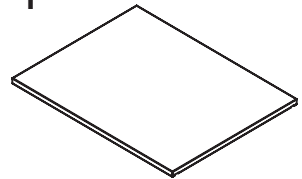
4



Shelf Support

For supporting adjustable shelf

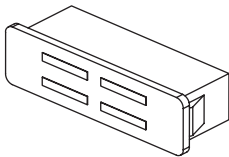
1



Shelf

For placing at desired height

2



Magnet

Pre-installed
For keeping doors closed

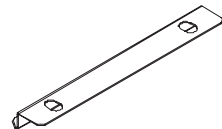
1



M6 Hex Flange Nut

For use with M6 x 16 hex Socket Head Screw when attaching unit to other units

1



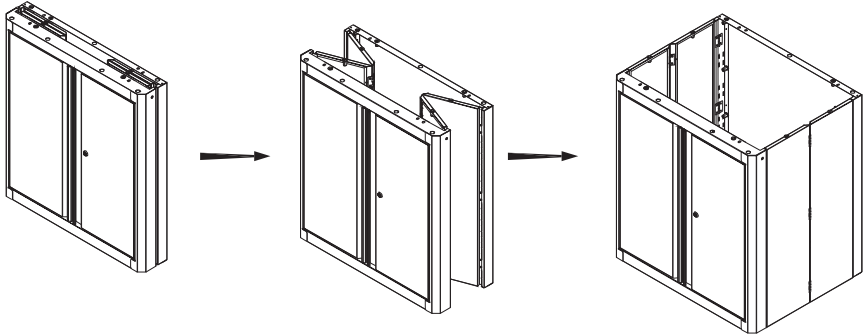
Bracket

For attaching worktop

ASSEMBLY

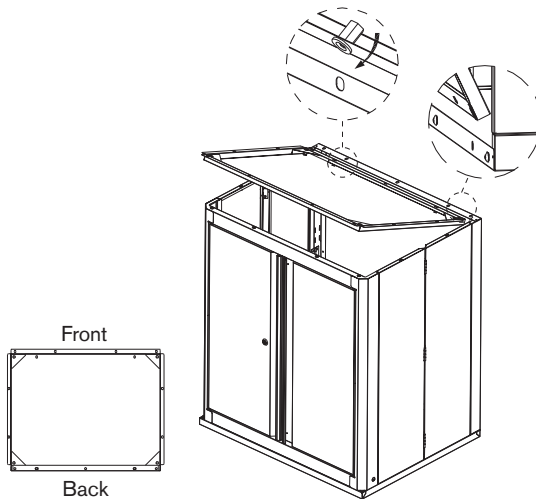
Visit www.montezumastorage.com to watch the how-to video.

Carefully separate the front and back panels, allowing the side panels to unfold completely.

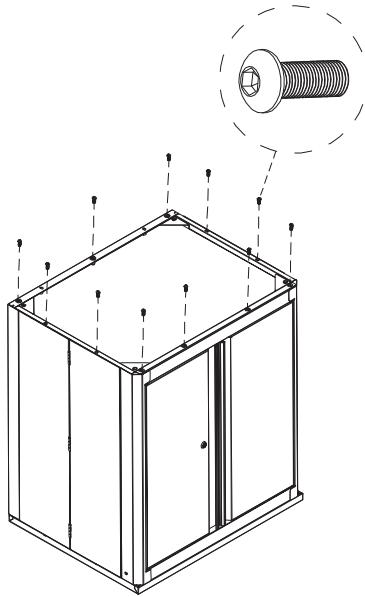


Turn the unit upside down

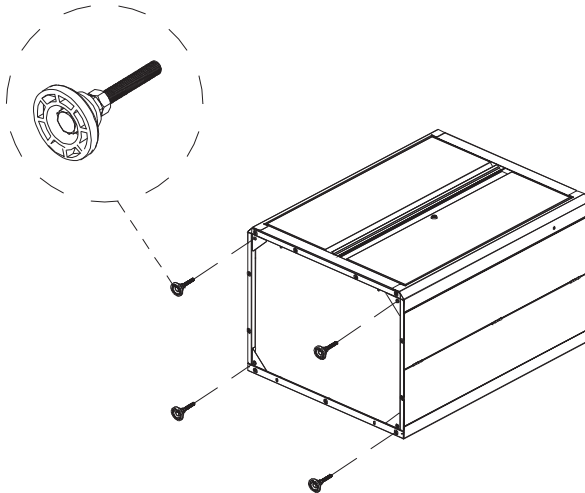
Insert the lip of the bottom panel into the slot in the back of the cabinet, then tilt the bottom panel down. Make sure the holes are aligned.



Attach the bottom panel using eleven M6 x 16 hex socket head screws.

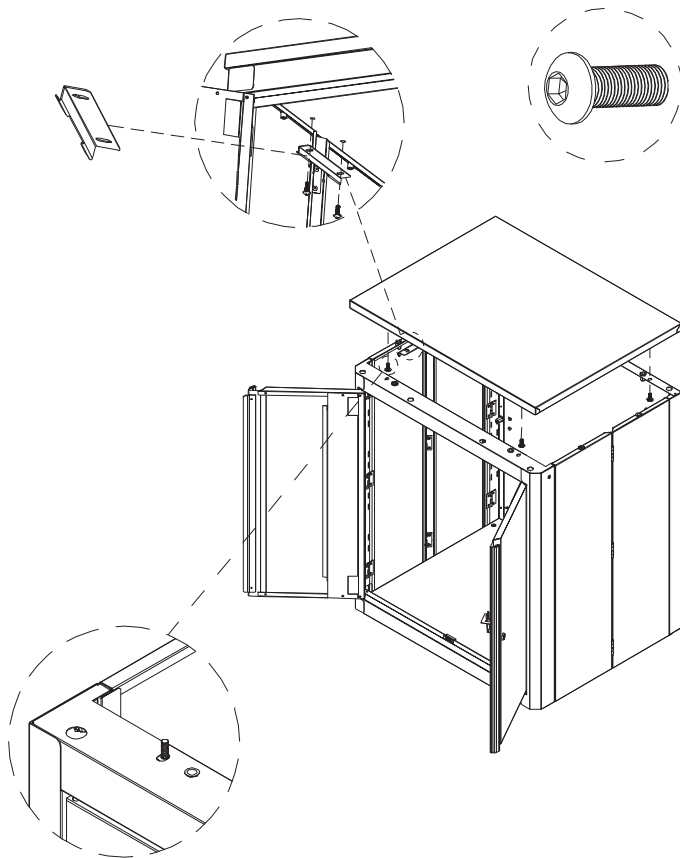


Screw the four adjustable feet into the cabinet bottom. Turn the cabinet upright.

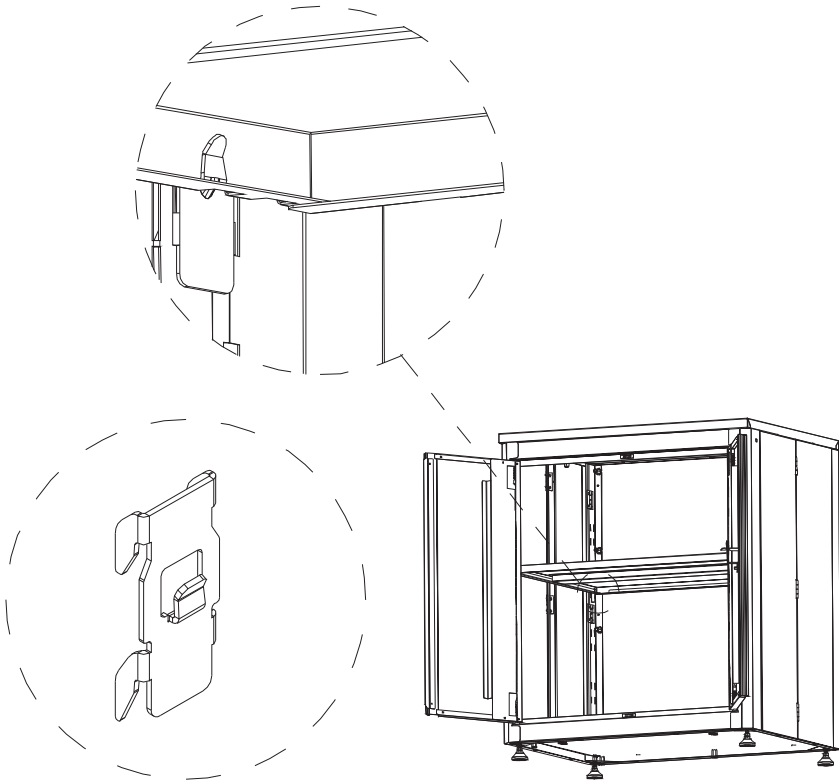


To add a worktop, attach a bracket on either side of the worktop using two M6 x 16 hex socket head screws per bracket. Make sure the lip of each bracket is secured under the lip of the cabinet.

Attach the worktop to the front and back of the cabinet using four M6 x 16 hex socket head screws. Note the correct holes in the cabinet.



Insert four shelf supports inside the cabinet at the desired height.
Place the shelf on the shelf supports.



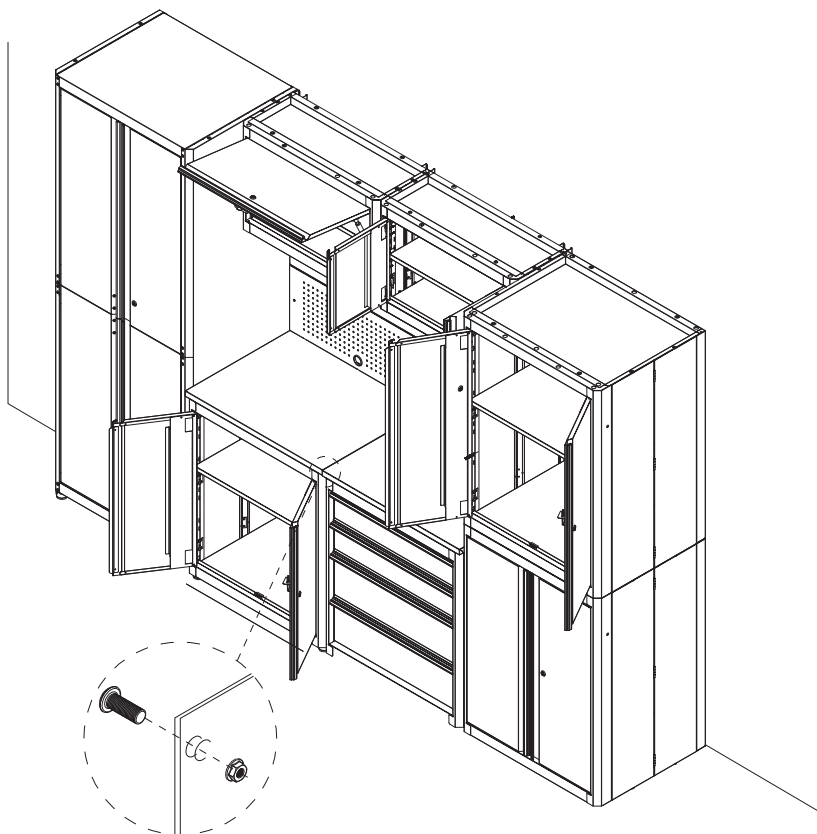
If you have purchased a pegboard back wall, posts and wall cabinet, refer to the owner's manual for the pegboard back wall and posts for how to install them on your base cabinet.

WARNING: DO NOT STACK A 2-DOOR BASE CABINET ON TOP OF ANOTHER CABINET.

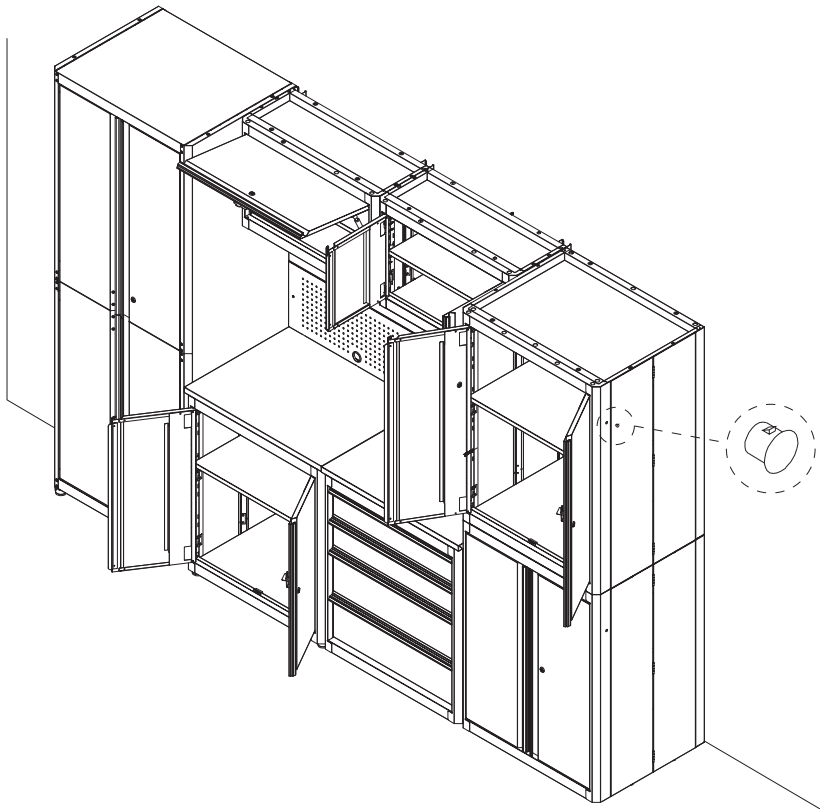
INSTALLATION

If you have purchased other units, assemble them now, then put all units together to build your garage.

For a better appearance, attach units together using a M6 x 16 hex socket head screw and M6 hex flange nut. Holes are located at the top front side of each unit.

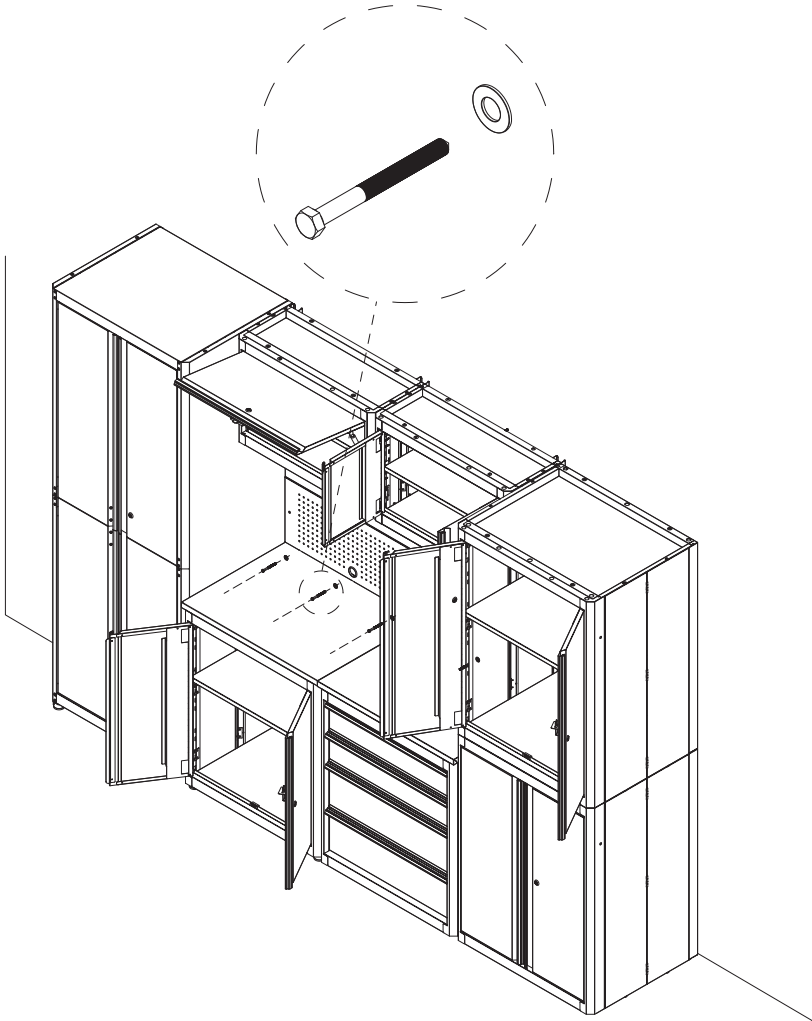


Hide holes on the exterior ends of the units with the supplied end covers, if necessary.



For safety, secure the tops of the each unit to the wall using three M6 x 65 hex tapping screws and washers.

For best results, mount to studs or other solid surfaces. Do not mount to drywall as it will not support the required weight and poses a danger if mounted incorrectly.



MAINTENANCE

Periodically clean the door fronts, trim, and other surfaces with mild detergent and water.

Grease and oil can be removed with most standard cleaning fluids. For safety, use a nonflammable cleaning fluid.

SAFETY

Use two people to move the units into place. Failure to do so can result in back or other injuries.

DO NOT leave children unattended near the garage storage system.

DO NOT stand on this product or lean on the work surface.

DO NOT alter this product in any manner. For example, do not weld external lock bars or attach electrical equipment. This may cause product damage or personal injury.

Close and lock the doors before moving this product. The doors could come open and make the product unstable and tip, which may cause personal injury or product damage.

Keep the product on level surfaces. The product could become unstable and tip if stored or moved on an uneven surface, which may cause personal injury or product damage.

Montezuma®

LIFE ORGANIZED

