



Montezuma[®]
LIFE ORGANIZED

OWNER'S MANUAL

TRIANGLE[®] **TOOLBOXES**

DX411B/DX411FB, XL450B, LA400B, ME300B, ME300AL, SE250B, SE250AL, SM200B

LIFE ORGANIZED

Montezuma is committed to helping you succeed in both your work and personal life by being organized, prepared and equipped with the right tools, gear and home supplies at your finger tips.

We are here to ensure that your life is organized.

Thank you for your purchase of this Montezuma Triangle Toolbox.

ATTENTION

TO REDUCE THE RISK OF INJURY, THE USER MUST READ AND UNDERSTAND THIS INSTRUCTION MANUAL BEFORE USING THIS PRODUCT FOR THE FIRST TIME. SAVE THESE INSTRUCTIONS FOR FUTURE REFERENCE.

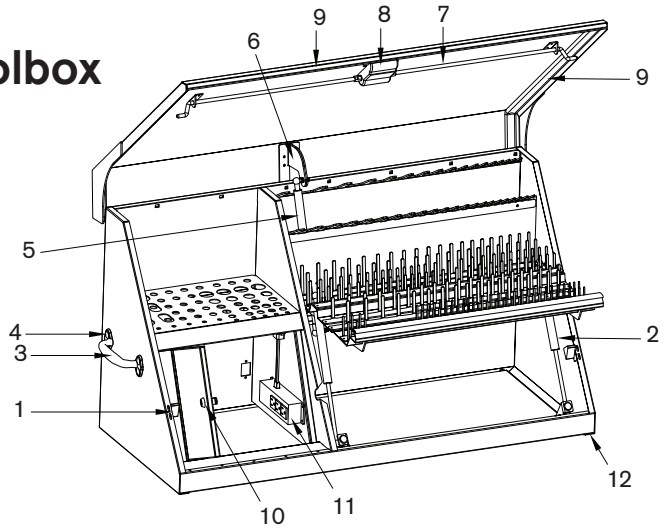
PARTS LIST

41" x 18" Toolbox

DX411B/DX411FB



The keys are taped to the top storage area of the chest.



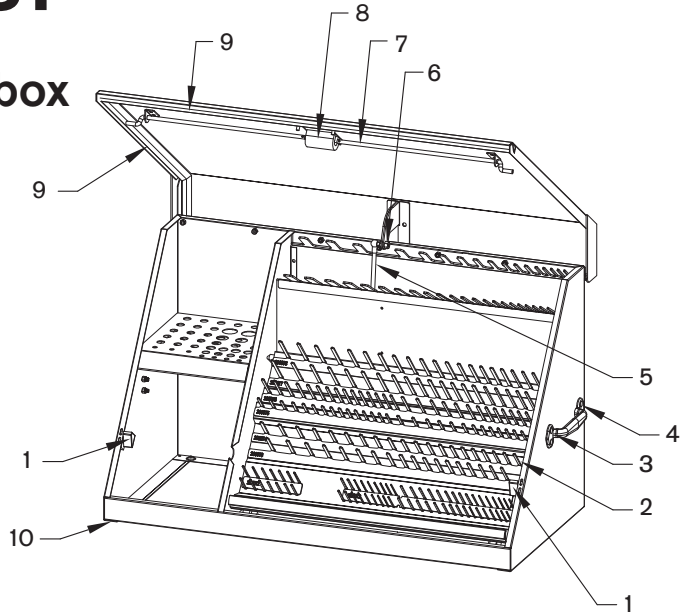
REF	DESCRIPTION	PART NUMBER	QTY
1	Striker Kit Set	411821	1
2	Gas Spring	411829	2
3	Side Handle	411825	2
4	Side Handle Screw	231337	8
5	Gas Spring	411854	1
6	Lock Nut	411830	6
7	Rod	411811	2
8	Latch and Key (801-810)	411819	1
9	Weatherstripping Kit 1 x 41.3" (1050 mm) Weatherstripping 2 x 28" (710 mm) Weatherstripping	411828-411841	1
10	Lock and Key (9001-9050)	411850	1
11	Power Socket	411803	1
12	Waterproof Plug	231262	4

PARTS LIST

36" x 17" Toolbox XL450B



The keys are taped to the top storage area of the chest.



REF	DESCRIPTION	PART NUMBER	QTY
1	Striker Kit Set	231315-231316	1
2	Gas Spring	231334	2
3	Side Handle	231336	2
4	Side Handle Screw	231337	8
5	Gas Spring	231333	1
6	Lock Nut	231355	6
7	Rod	231323	2
8	Latch and Key (801-810)	231380	1
9	Weatherstripping Kit 1 x 36.6" (930 mm) Weatherstripping 2 x 27.4" (697 mm) Weatherstripping	231030-231097	1
10	Waterproof Plug	231262	4

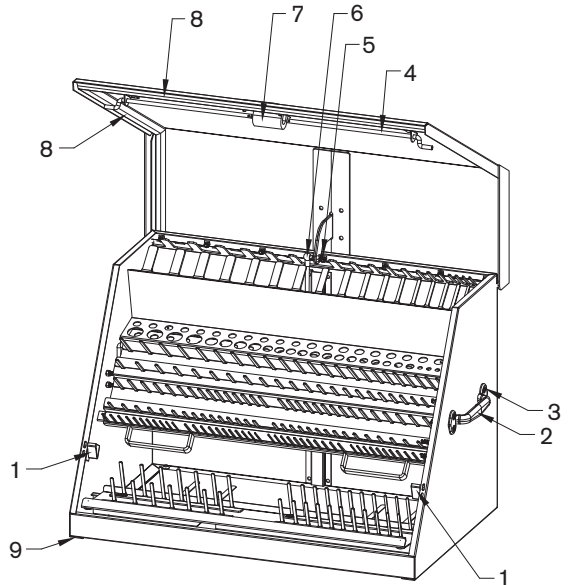
PARTS LIST

30" x 19" Toolbox

LA400B



The keys are taped to the top storage area of the chest.



REF	DESCRIPTION	PART NUMBER	QTY
1	Striker Kit Set	231315-231316	1
2	Side Handle	231336	2
3	Side Handle Screw	231337	8
4	Rod	231318	2
5	Lock Nut	231355	2
6	Gas Spring	231333	1
7	Latch and Key (801-810)	231380	1
8	Weatherstripping Kit 1 x 30.3" (770 mm) Weatherstripping 2 x 29.8" (758 mm) Weatherstripping	231085-231092	1
9	Waterproof Plug	231262	4

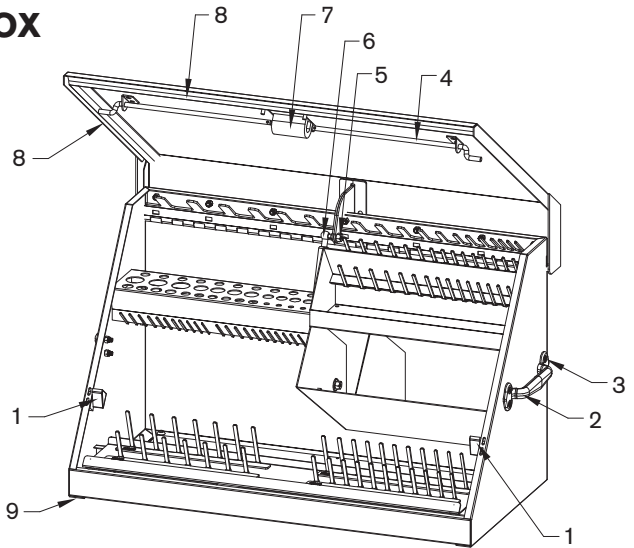
PARTS LIST

30" x 15" Toolbox

ME300B



The keys are taped to the top storage area of the chest.



REF	DESCRIPTION	PART NUMBER	QTY
1	Striker Kit Set	231315-231316	1
2	Side Handle	231336	2
3	Side Handle Screw	231337	8
4	Rod	231318	2
5	Lock Nut	231355	2
6	Gas Spring	231332	1
7	Latch and Key (801-810)	231380	1
8	Weatherstripping Kit 1 x 30.3" (770 mm) Weatherstripping 2 x 23.3" (592 mm) Weatherstripping	231070-231091	1
9	Waterproof Plug	231262	4

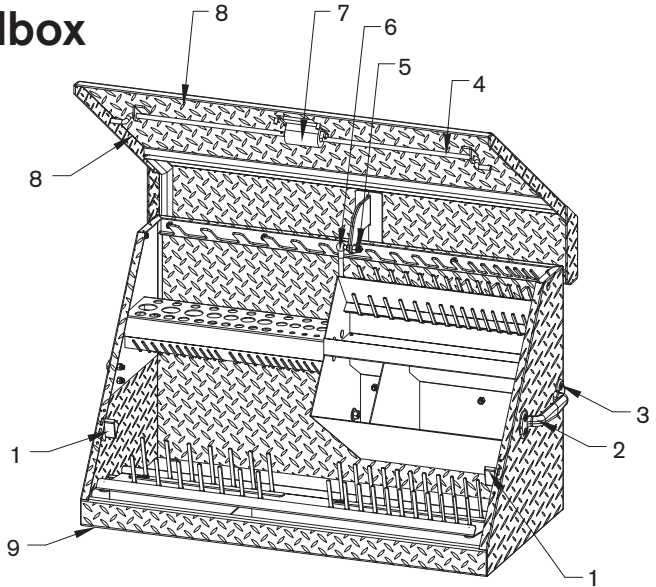
PARTS LIST

30" x 15" Toolbox

ME300AL



The keys are taped to the top storage area of the chest.



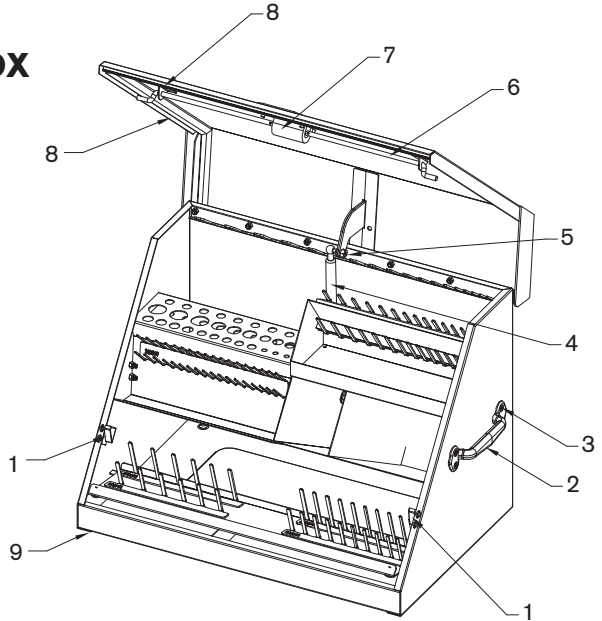
REF	DESCRIPTION	PART NUMBER	QTY
1	Striker Kit Set	231315-231316	1
2	Side Handle	231336	2
3	Side Handle Screw	231337	8
4	Rod	231318	2
5	Lock Nut	231355	2
6	Gas Spring	231333	1
7	Latch and Key (801-810)	231380	1
8	Weatherstripping Kit 1 x 30.5" (774 mm) Weatherstripping 2 x 23.6" (600 mm) Weatherstripping	231074-231000	1
9	Waterproof Plug	231262	4

PARTS LIST

26" x 18" Toolbox SE250B



The keys are taped to the top storage area of the chest.



REF	DESCRIPTION	PART NUMBER	QTY
1	Striker Kit Set	231315-231316	1
2	Side Handle	231336	2
3	Side Handle Screw	231337	8
4	Gas Spring	231332	1
5	Lock Nut	231355	2
6	Rod	231322	2
7	Latch and Key (801-810)	231380	1
8	Weatherstripping Kit 1 x 26.4" (670 mm) Weatherstripping 2 x 25.6" (650 mm) Weatherstripping	231067-231050	1
9	Waterproof Plug	231262	4

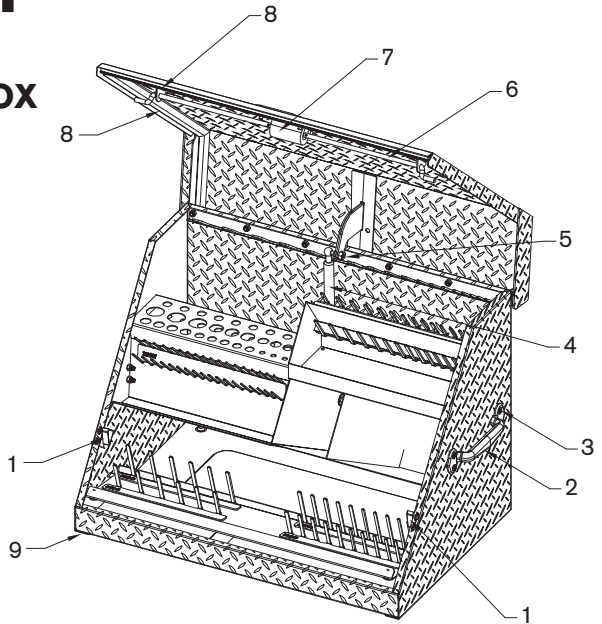
PARTS LIST

26" x 18" Toolbox

SE250AL



The keys are taped to the top storage area of the chest.



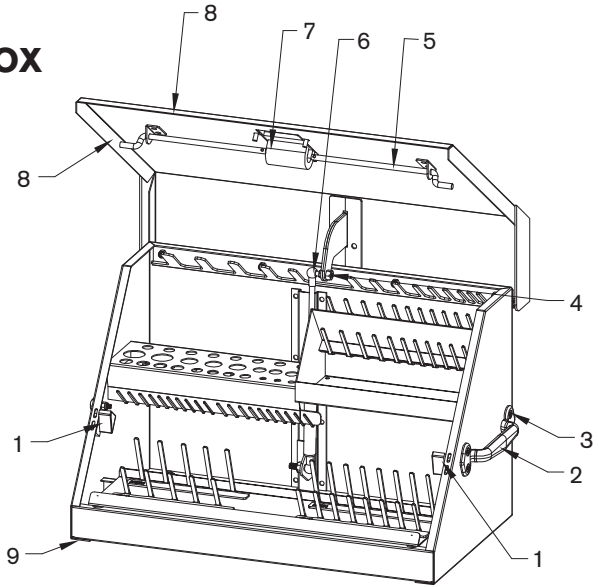
REF	DESCRIPTION	PART NUMBER	QTY
1	Striker Kit Set	231315-231316	1
2	Side Handle	231336	2
3	Side Handle Screw	231337	8
4	Gas Spring	231333	1
5	Lock Nut	231355	2
6	Rod	231322	2
7	Latch and Key (801-810)	231380	1
8	Weatherstripping Kit 1 x 26.5" (674 mm) Weatherstripping 2 x 25.9" (658 mm) Weatherstripping	231073-231058	1
9	Waterproof Plug	231262	4

PARTS LIST

23" x 14" Toolbox SM200B



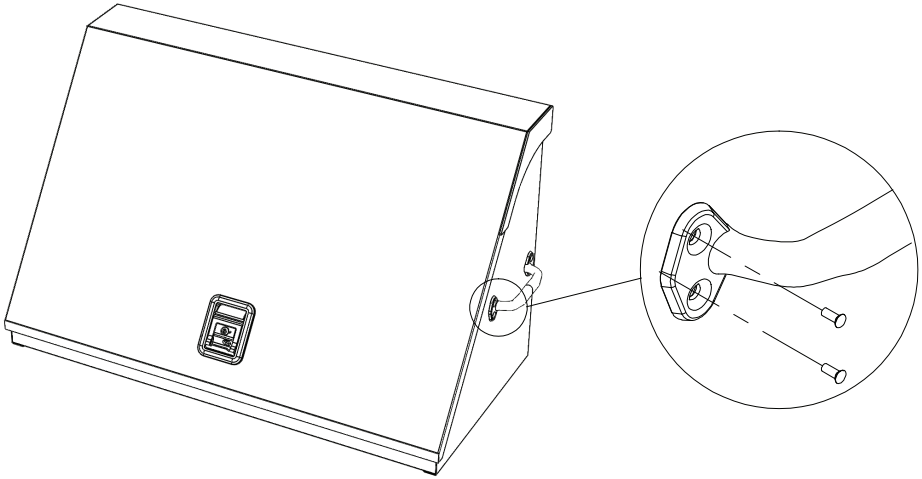
The keys are taped to the top storage area of the chest.



REF	DESCRIPTION	PART NUMBER	QTY
1	Striker Kit Set	231315-231316	1
2	Side Handle	231336	2
3	Side Handle Screw	231337	8
4	Lock Nut	231355	2
5	Rod	231321	2
6	Gas Spring	231333	1
7	Latch and Key (801-810)	231380	1
8	Weatherstripping Kit 1 x 23" (585 mm) Weatherstripping 2 x 19.4" (492 mm) Weatherstripping	231058-231049	1
9	Waterproof Plug	231262	4

SIDE HANDLE INSTALLATION

The side handles need to be installed. Attach each side handle using the four screws provided.



MAINTENANCE

Periodically clean the unit surfaces with mild detergent and water.

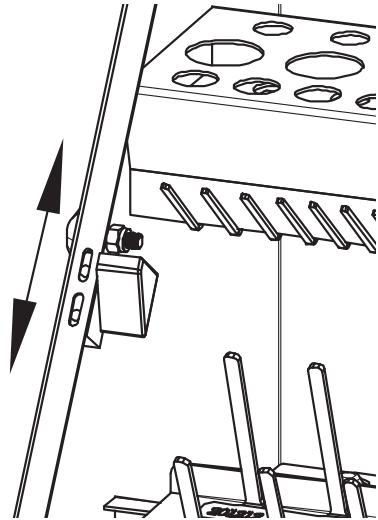
Auto wax can be used on painted steel (not on aluminum) toolboxes to preserve the unit's luster finish and protect against scratches. Apply the wax as you would to a car.

Grease and oil can be removed with most standard cleaning fluids. For safety, use a nonflammable cleaning fluid.

TROUBLESHOOTING

The position of the strikers can shift over time, causing problems closing and latching the lid.

To fix this problem, loosen the screws holding the strikers in position on either side of the toolbox. Adjust the position of the strikers until the lockbar engages the strikers properly when the lid closes. Tighten the screws securely.



SAFETY

WARNING

Do not attempt to lift the unit by its side handles using chains, ropes or other lifting devices. The side handle could fail, which may cause personal injury or damage to the product.

Do not stand on the toolbox.

Do not alter this toolbox in any manner. For example, do not weld external lockbars or attach electrical equipment. This may cause product damage or personal injury.

Lock the lid before moving this product. The lid could come open and make the product unstable, which may cause personal injury or product damage.

Be careful with sharp edges.

CAUTION

The maximum product weight, including contents, is 500 lb (226.8 kg).

Keep the product on level surfaces. The product could become unstable and tip if stored on an uneven surface, which may cause personal injury or product damage.

Always wear ANSI approved safety goggles when working with tools and equipment.