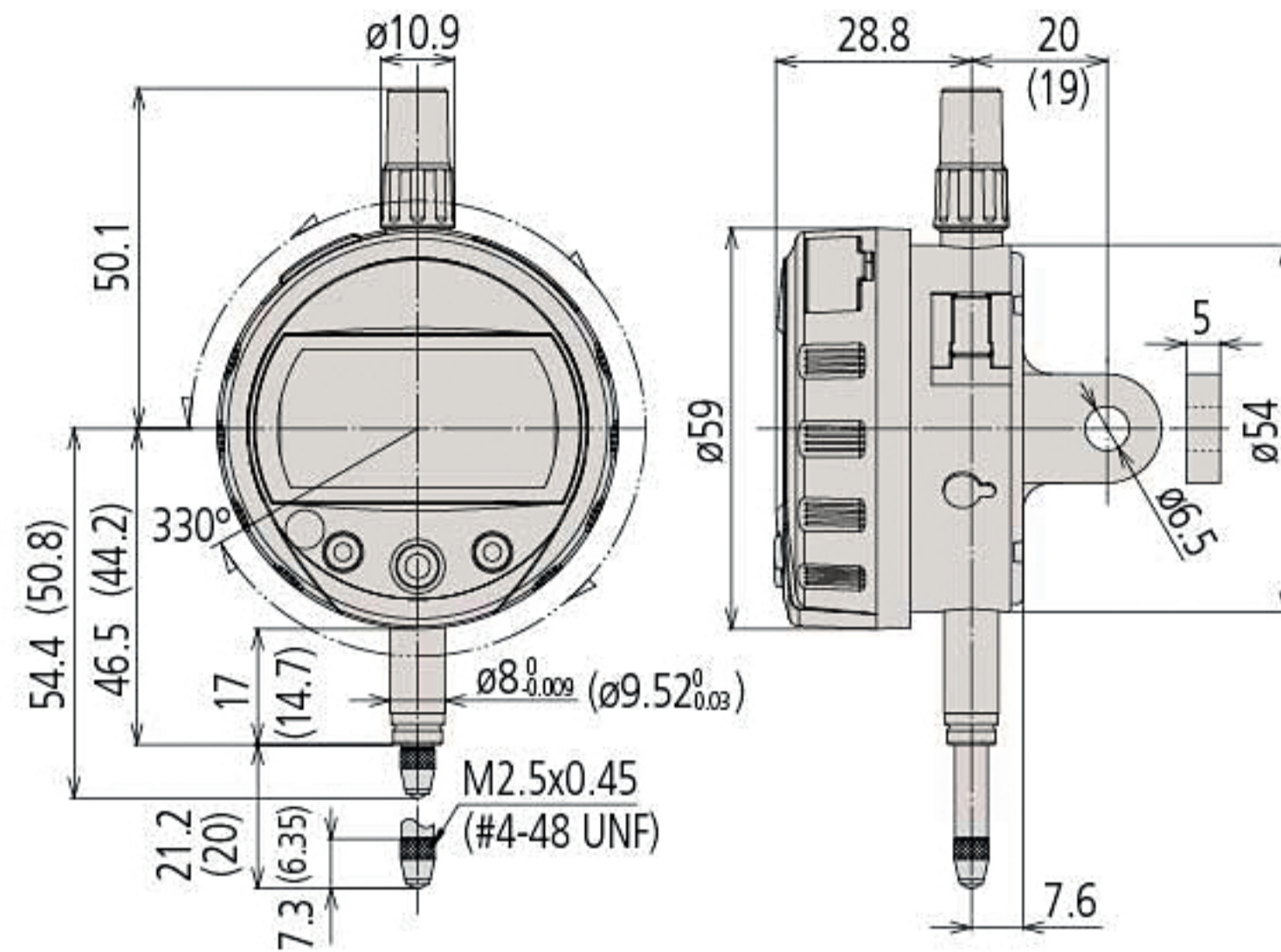


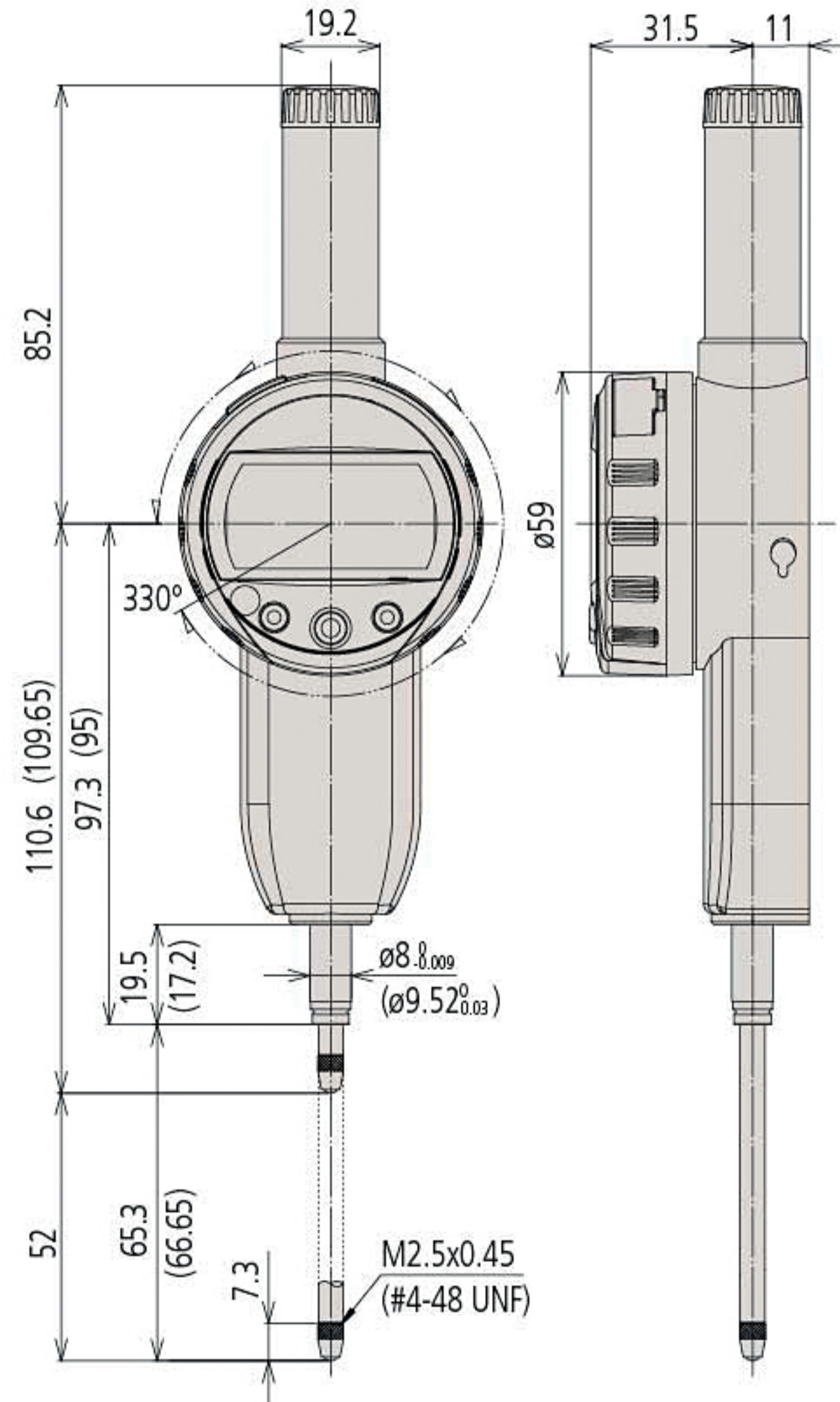
12.7mm range models

() ANSI/AGD Type

Unit: mm



50.8mm range models



25.4mm range models

