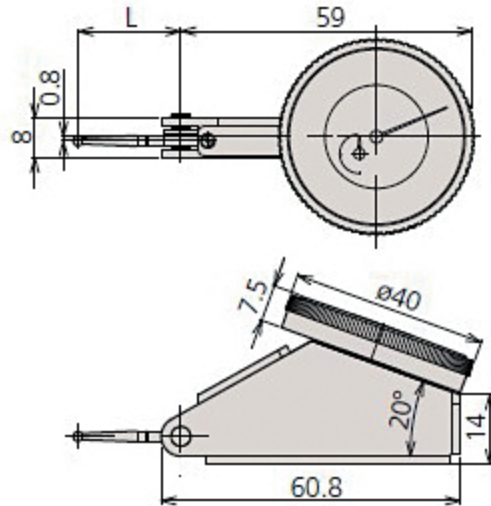
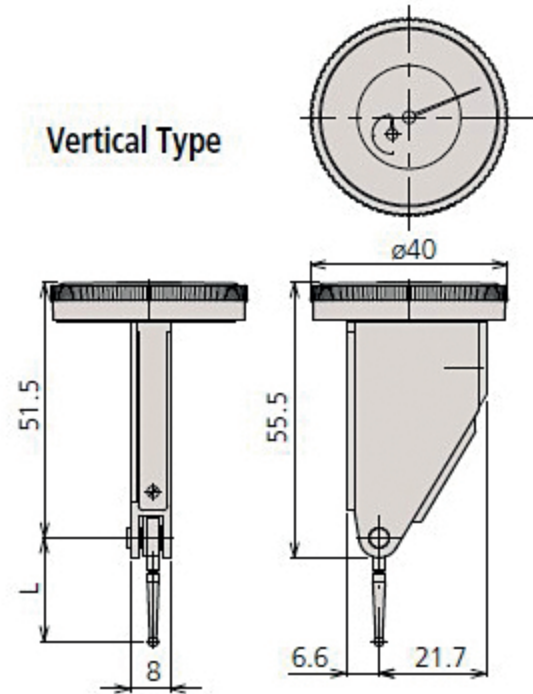


### Horizontal (20° Tilted Face) Type

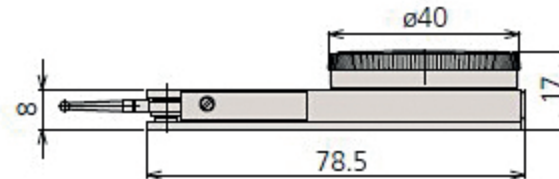
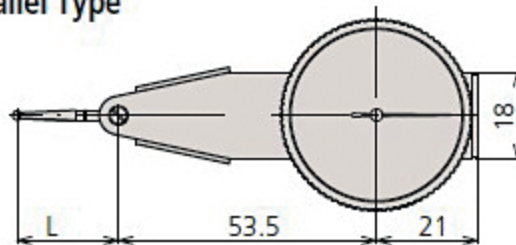


### Vertical Type



unit: mm

### Parallel Type



Rely on premium measuring tools by Mitutoyo if you're looking for quality and efficiency.