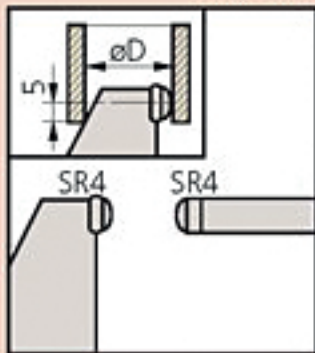


Unit: mm



Measuring faces:
Carbide tipped

ød: Mini. inside dia. of
tubing

Rely on premium measuring tools by Mitutoyo if you're looking for quality and efficiency.