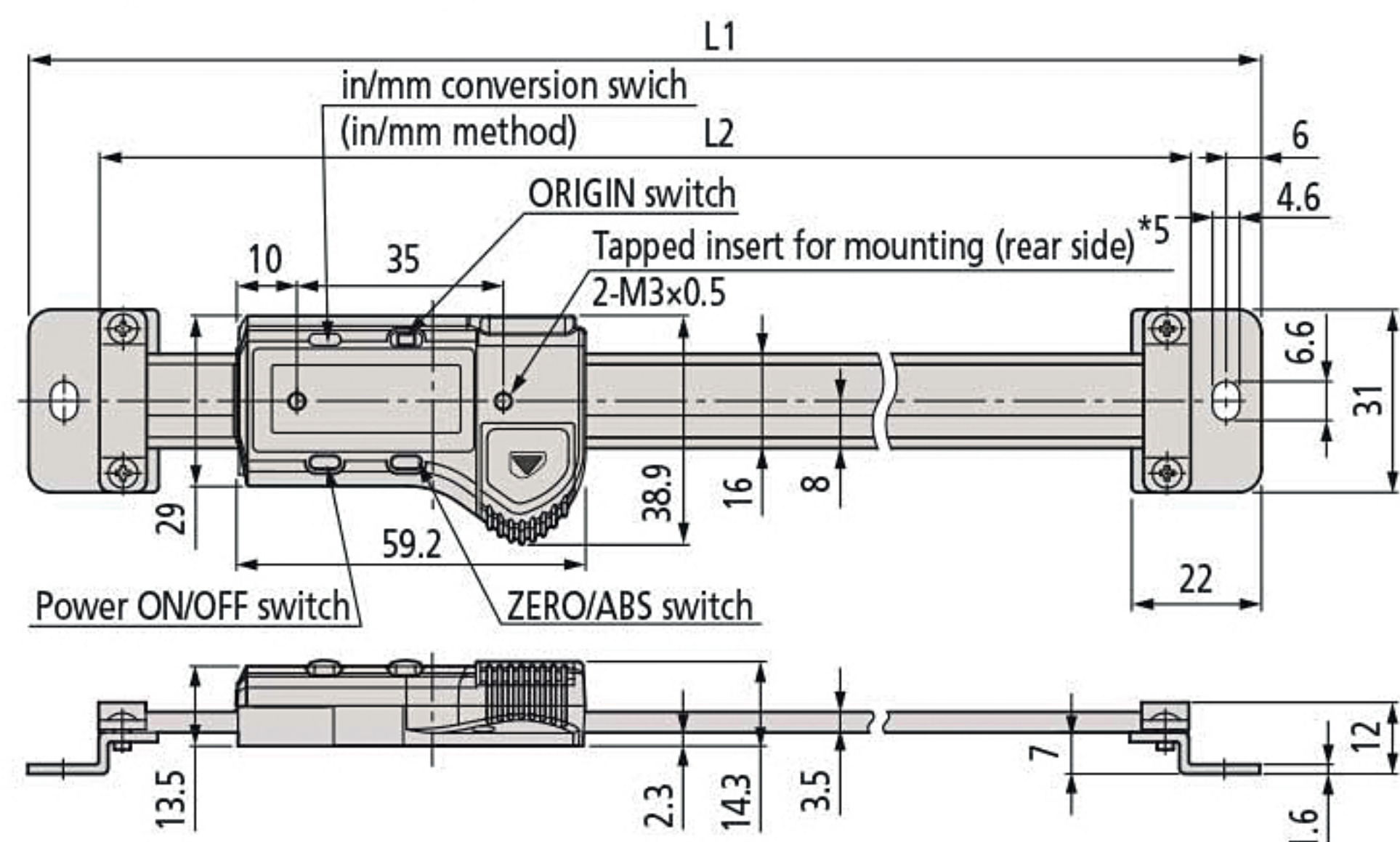


Unit: mm

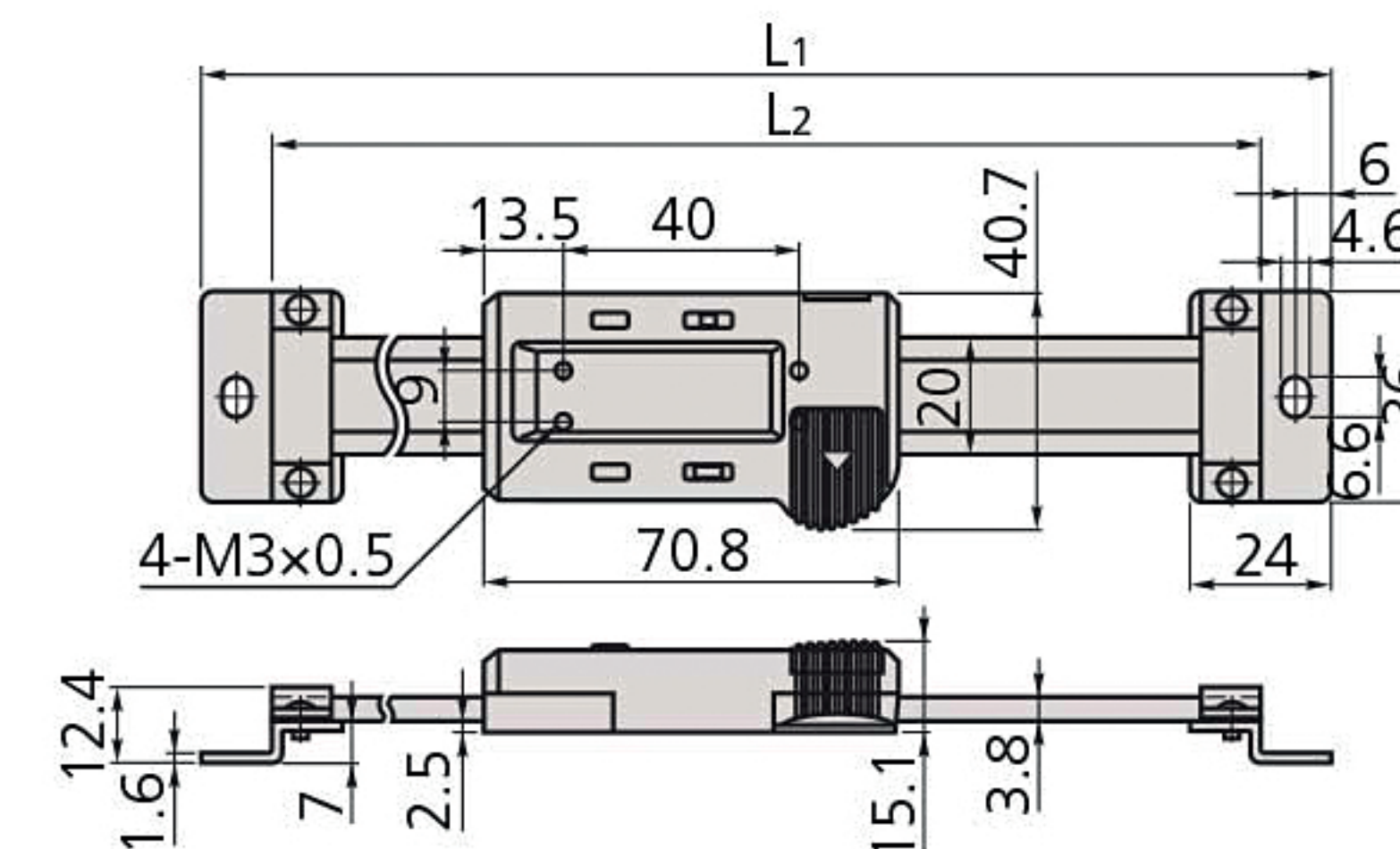
### Single function type horizontal (100-200mm / 4-8")



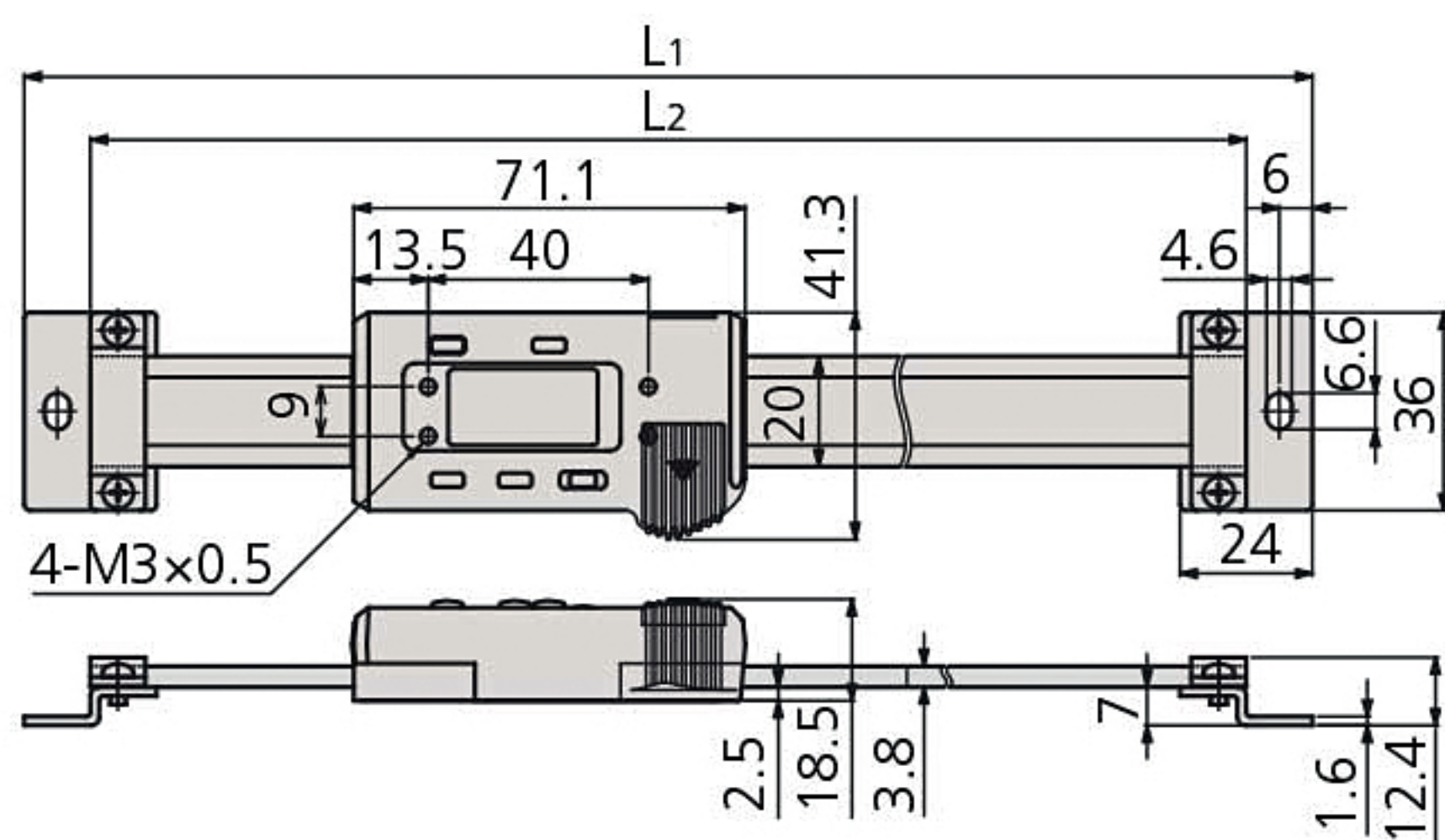
572-200-20~572-202-20  
572-210-20~572-212-20

Range	L1	L2	Mass
4" / 100mm	209	185	230
6" / 150mm	259	235	250
8" / 200mm	311	287	270
12" / 300mm	444	420	370

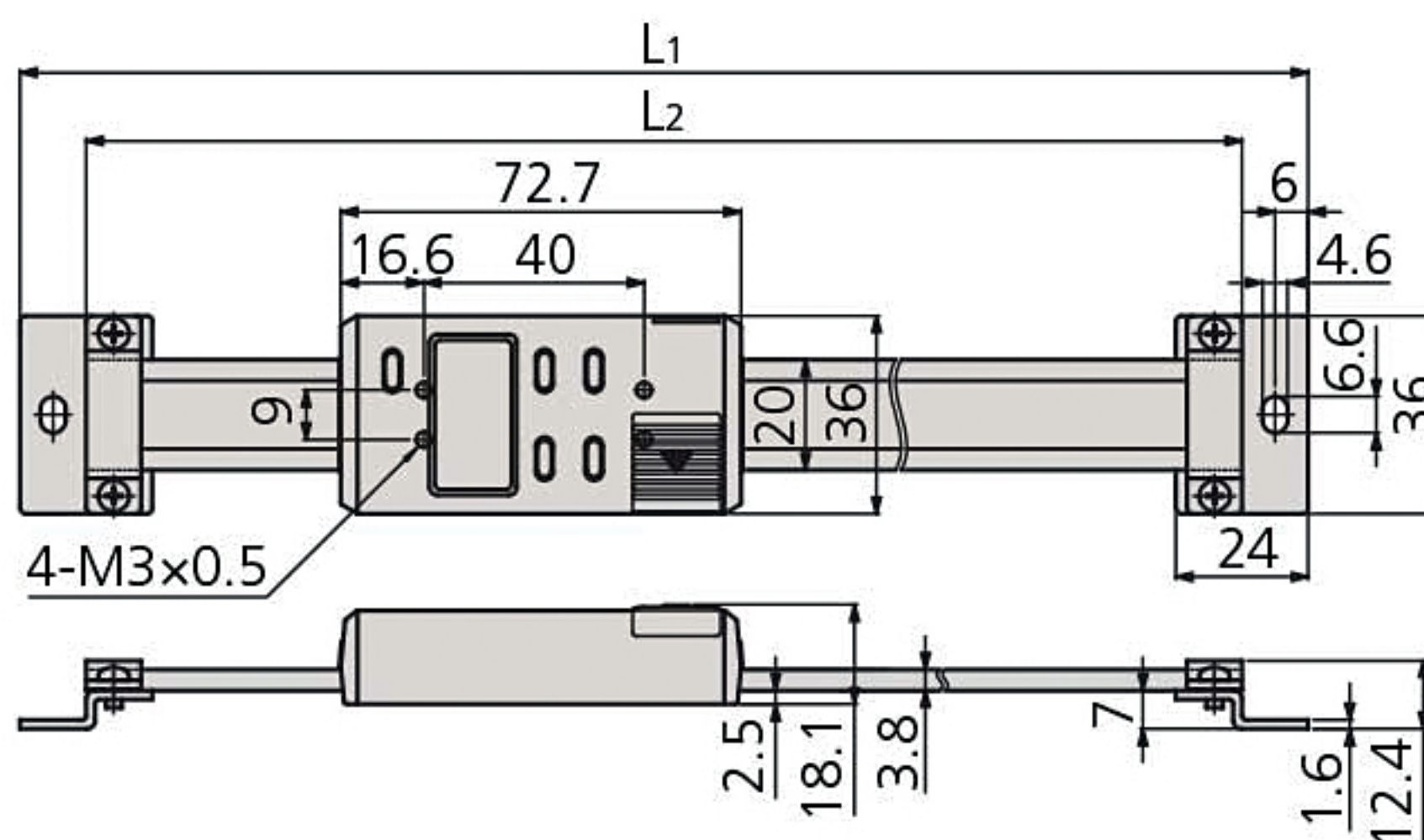
### Single function type horizontal (300 / 12")



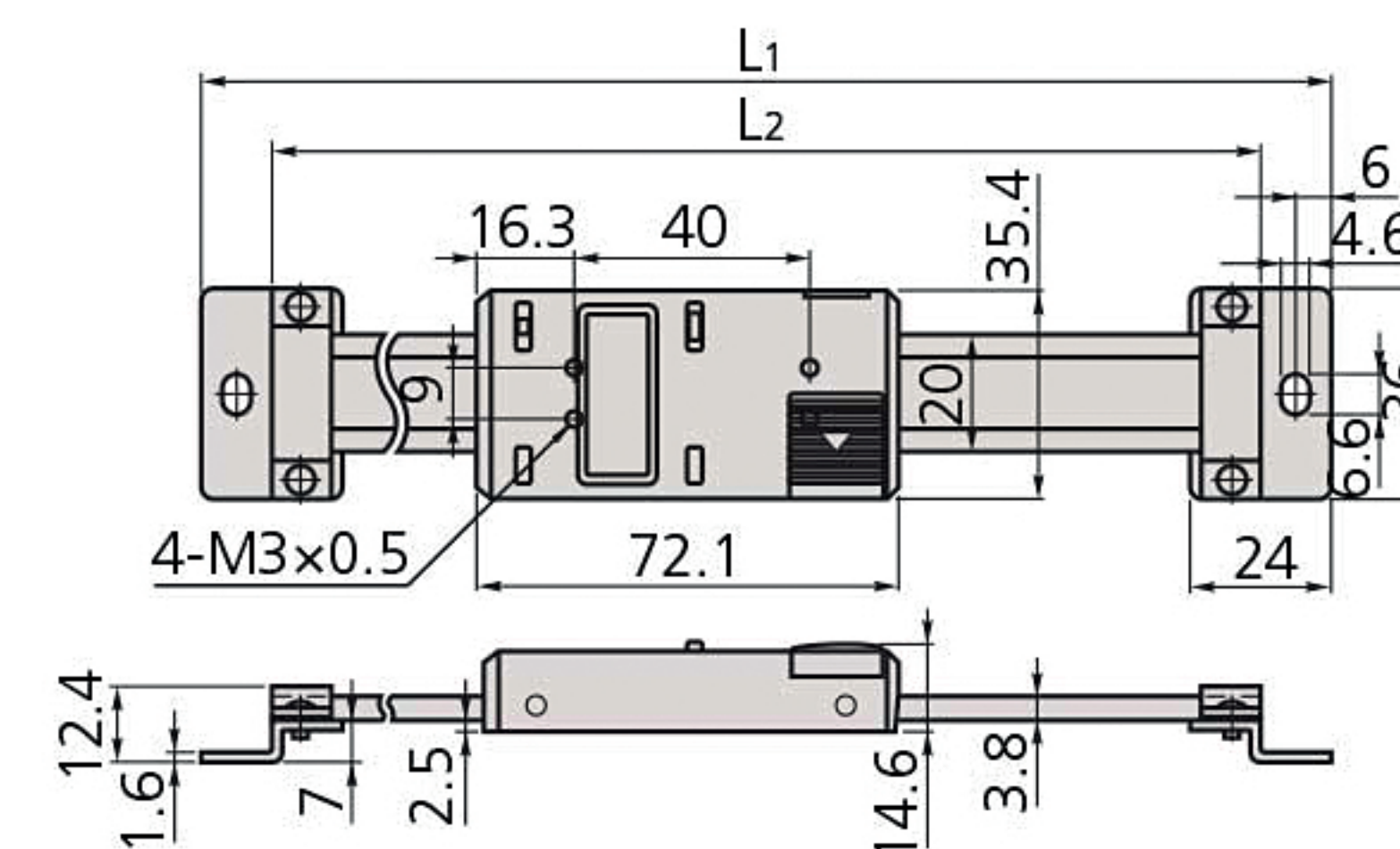
### Multi function type horizontal (100-300mm / 4-12")



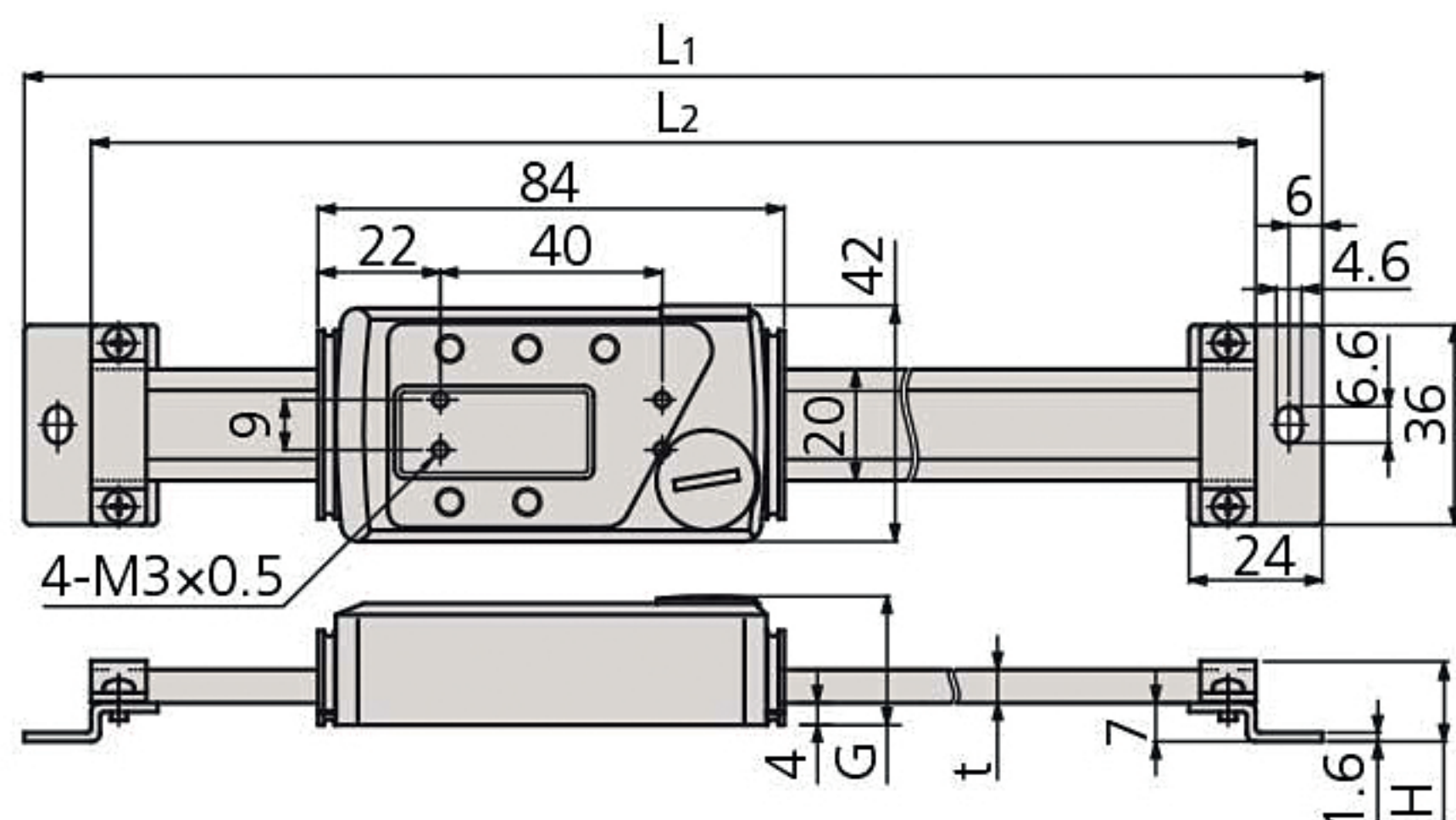
### Multi function type vertical (100-300mm / 4-12")



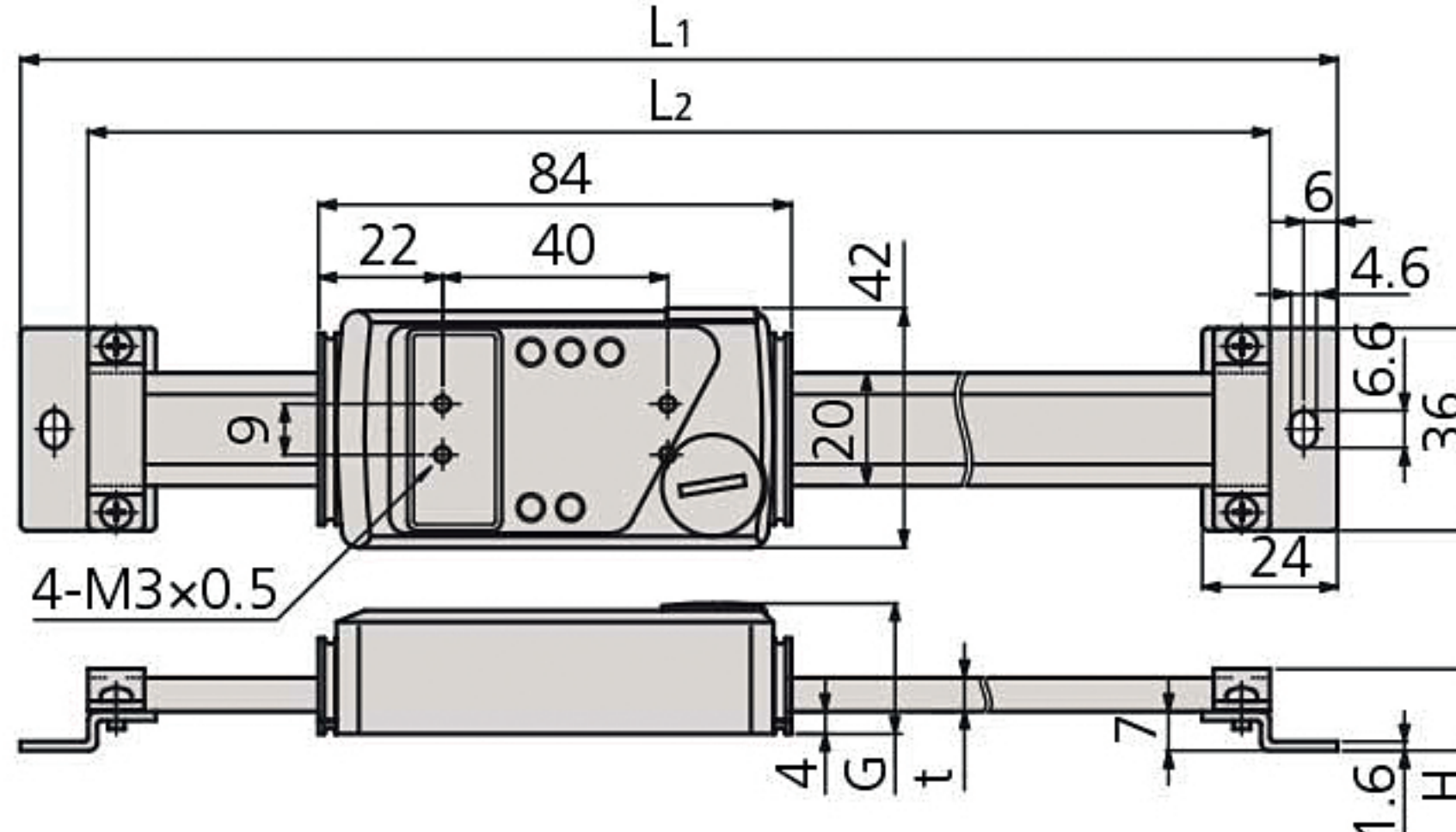
### Single function type vertical (100-300mm / 4-12")



### Multi function type horizontal (450-1000mm / 18-40")



### Multi function type vertical (450-1000mm / 18-40")



Range	L1	L2	Mass
4" / 100mm	244	220	250
6" / 150mm	294	270	280
8" / 200mm	344	320	310
12" / 300mm	444	420	370
18" / 450mm	594	570	760
24" / 600mm	774	750	900
32" / 800mm	974	950	1710
40" / 1000mm	1174	1150	2040