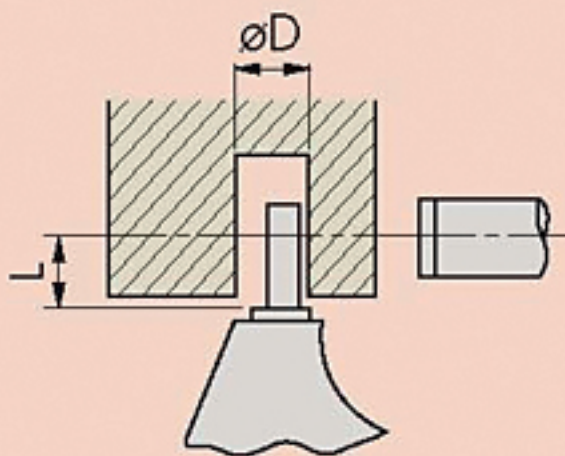
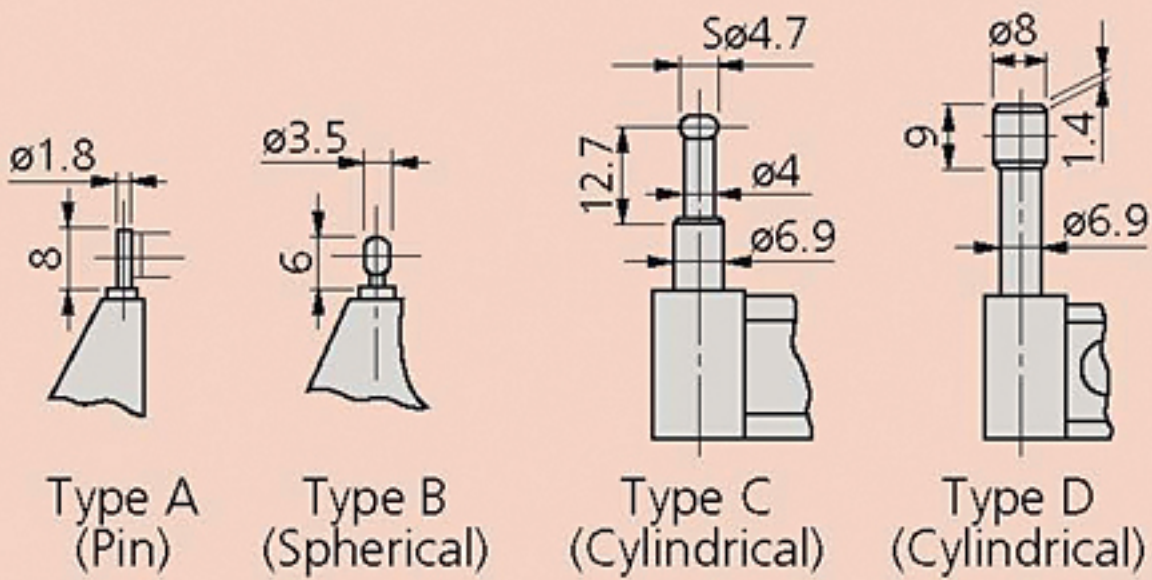


Cylindrical anvil type



$\varnothing D$: Mini. inside dia. of tubing

Spindle face: Carbide tipped

Anvil	D	L
Type A	2	4
Type B	3.6	4
Type C	4.8	12
Type D	8.2	22