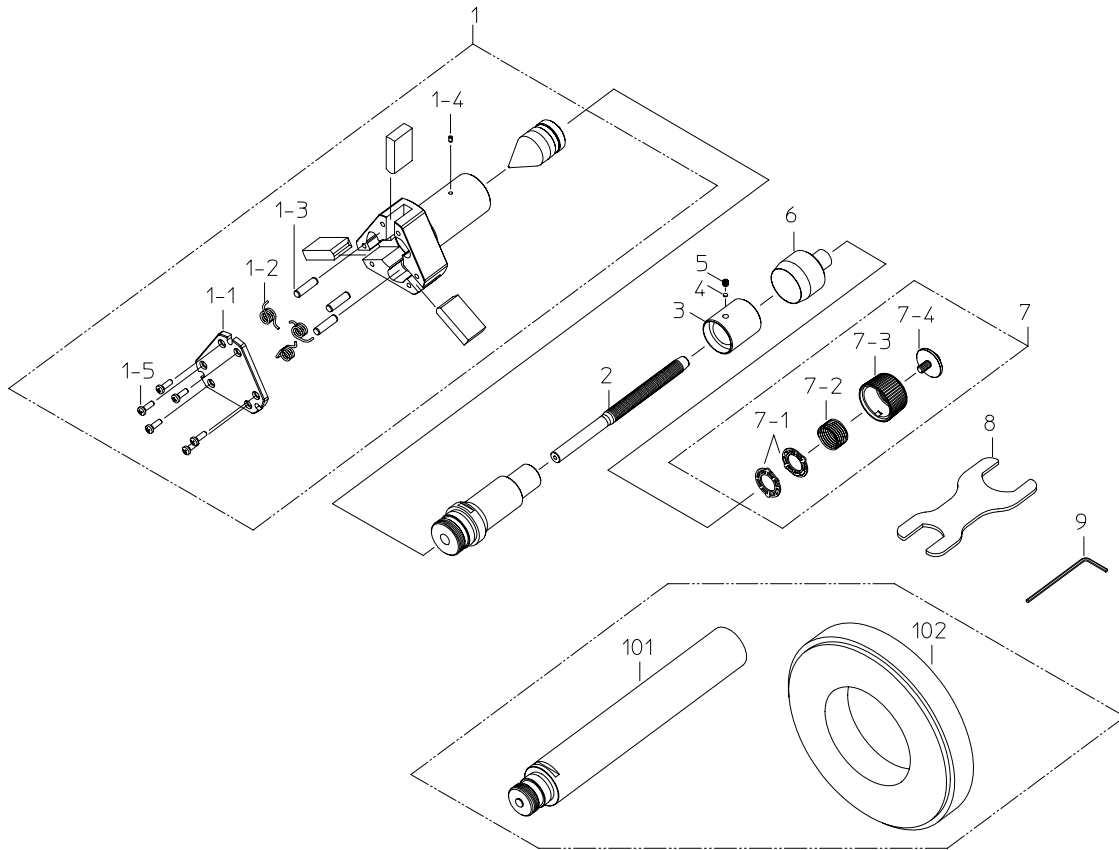


**HOLTEST(TYPE II)
Series368**

Ref. No. 368-28-2005-SEP



No. 368-28

KEY NO.	PART NAME	CATEGORY	CODE NO.				COMMENTS
			368-770 HT2-63R 368-870 HT2-2.5"R	368-771 HT2-75R 368-871 HT2-3"R	368-772 HT2-88R 368-872 HT2-3.5"R	368-773 HT2-100R 368-873 HT2-4"R	
1	HEAD ASSY (MM)	Y1	04AZA870	04AZA871	04AZA872	04AZA873	
	HEAD ASSY (INCH)	Y1	04AZA874	04AZA875	04AZA876	04AZA877	
1-1	CAP (MM)	Y1	308521	308522	308523	308524	
	CAP (INCH)	Y1	308525	308526	308527	308528	
1-2	SPRING, ANVIL	Y1	04AAB029				
1-3	PARALLEL PIN	Y1	04AAB010				
1-4	KEY SCREW	Y1	281435				
1-5	SET SCREW, CAP		215347				
2	SPINDLE (MM)	Y1	04AAA960				
	SPINDLE (INCH)	Y1	04AAA961				
3	OUTER SLEEVE (MM)	Y1	04AAB000	04AAB001	04AAB002	04AAB003	
	OUTER SLEEVE (INCH)	Y1	04AAB004	04AAB005	04AAB006	04AAB007	
4	SPACER		211576				
5	SET SCREW		208259				
6	THIMBLE (MM)	Y1	04AAA938				
	THIMBLE (INCH)	Y1	04AAA939				
7	RATCHET ASSY	Y1	04AZA945				
7-1	PLATE, RATCHET	Y1	04AAA941				
7-2	SPRING, RATCHET	Y1	04AAA942				
7-3	SLEEVE, RATCHET	Y1	04AAB362				
7-4	SCREW		303787				
8	SPANNER		04GAA858				
9	HEX-SPANNER		202863				
	[OPTION]						
101	EXTENSION ROD (150mm)		952623				
102	SET RING (MM)		177-146	177-314	177-316	177-318	
	SET RING (INCH)		177-187	177-315	177-317	177-319	
	[PACKING]						
	HOUSING CASE		475573				
	CARDBOARD		04MAA320				

368 HOLTEST(TYPE II)
Series368

Ref. No. 368-28-2005-SEP

368