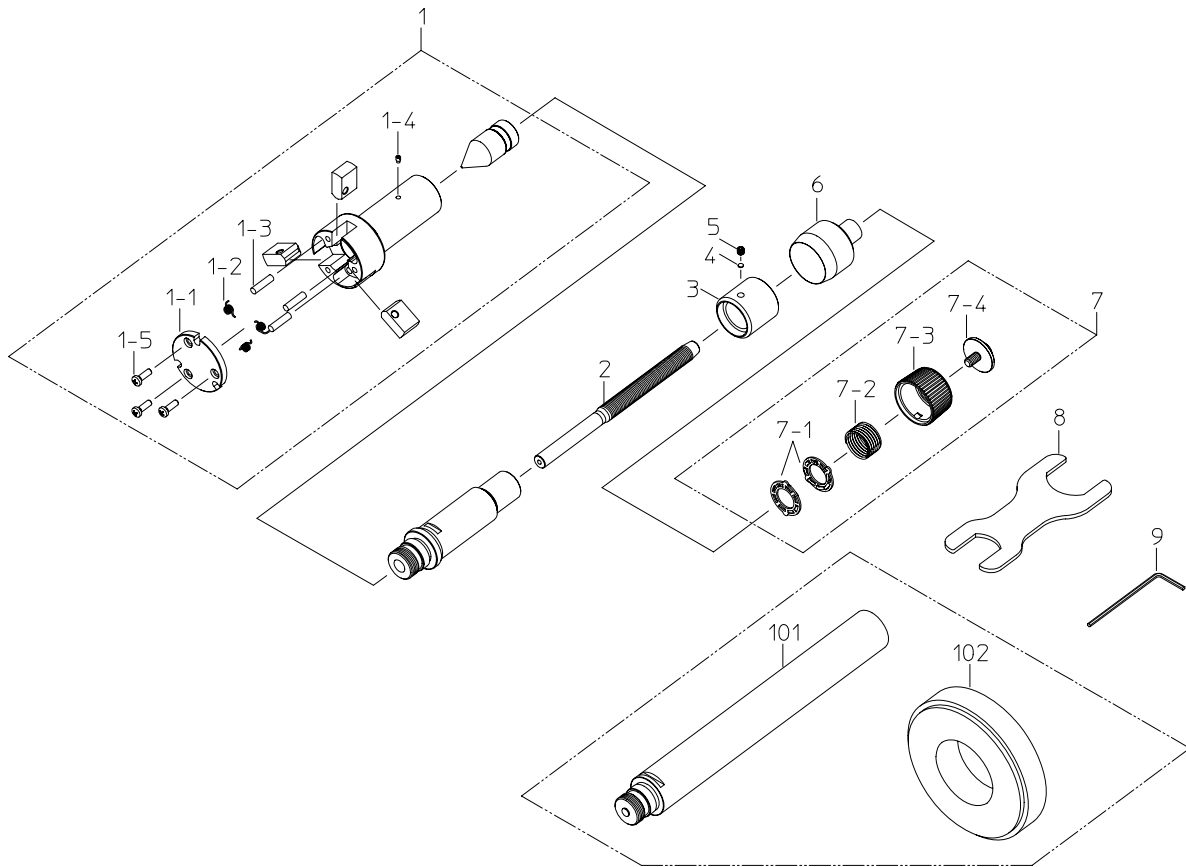


**HOLTEST(TYPE II )  
Series368**

Ref. No. 368-27-2005-SEP



No. 368-27

KEY NO.	PART NAME	CATEGORY	CODE NO. ｺｰﾄﾞﾈｰﾓ.				COMMENTS
			368-768 HT2-40R 368-868 HT2-1.6"R	368-769 HT2-50R 368-869 HT2-2"R			
1	HEAD ASSY (MM)	Y1	04AZA857	04AZA858			
	HEAD ASSY (INCH)	Y1	04AZA859	04AZA860			
1-1	CAP (MM)	Y1	215411	215412			
	CAP (INCH)	Y1	215459	215460			
1-2	SPRING, ANVIL	Y1	04AAA997				
1-3	PARALLEL PIN	Y1	04AAA986				
1-4	KEY SCREW	Y1	281435				
1-5	SET SCREW, CAP		215347				
2	SPINDLE (MM)	Y1	04AAA960				
	SPINDLE (INCH)	Y1	04AAA961				
3	OUTER SLEEVE (MM)	Y1	04AAA980	04AAA981			
	OUTER SLEEVE (INCH)	Y1	04AAA982	04AAA983			
4	SPACER		211576				
5	SET SCREW		208259				
6	THIMBLE (MM)	Y1	04AAA938				
	THIMBLE (INCH)	Y1	04AAA939				
7	RATCHET ASSY	Y1	04AZA945				
7-1	PLATE, RATCHET	Y1	04AAA941				
7-2	SPRING, RATCHET	Y1	04AAA942				
7-3	SLEEVE, RATCHET	Y1	04AAB362				
7-4	SCREW		303787				
8	SPANNER		04GAA858				
9	HEX-SPANNER		202863				
	[OPTION]						
101	EXTENSION ROD (150mm)		952622				
102	SET RING (MM)		177-288	177-290			
	SET RING (INCH)		177-289	177-291			
	[PACKING]						
	HOUSING CASE		04MAA266				
	CARDBOARD		04MAA334				

**368** HOLTEST(TYPE II )  
Series368

Ref. No. 368-27-2005-SEP

**368**