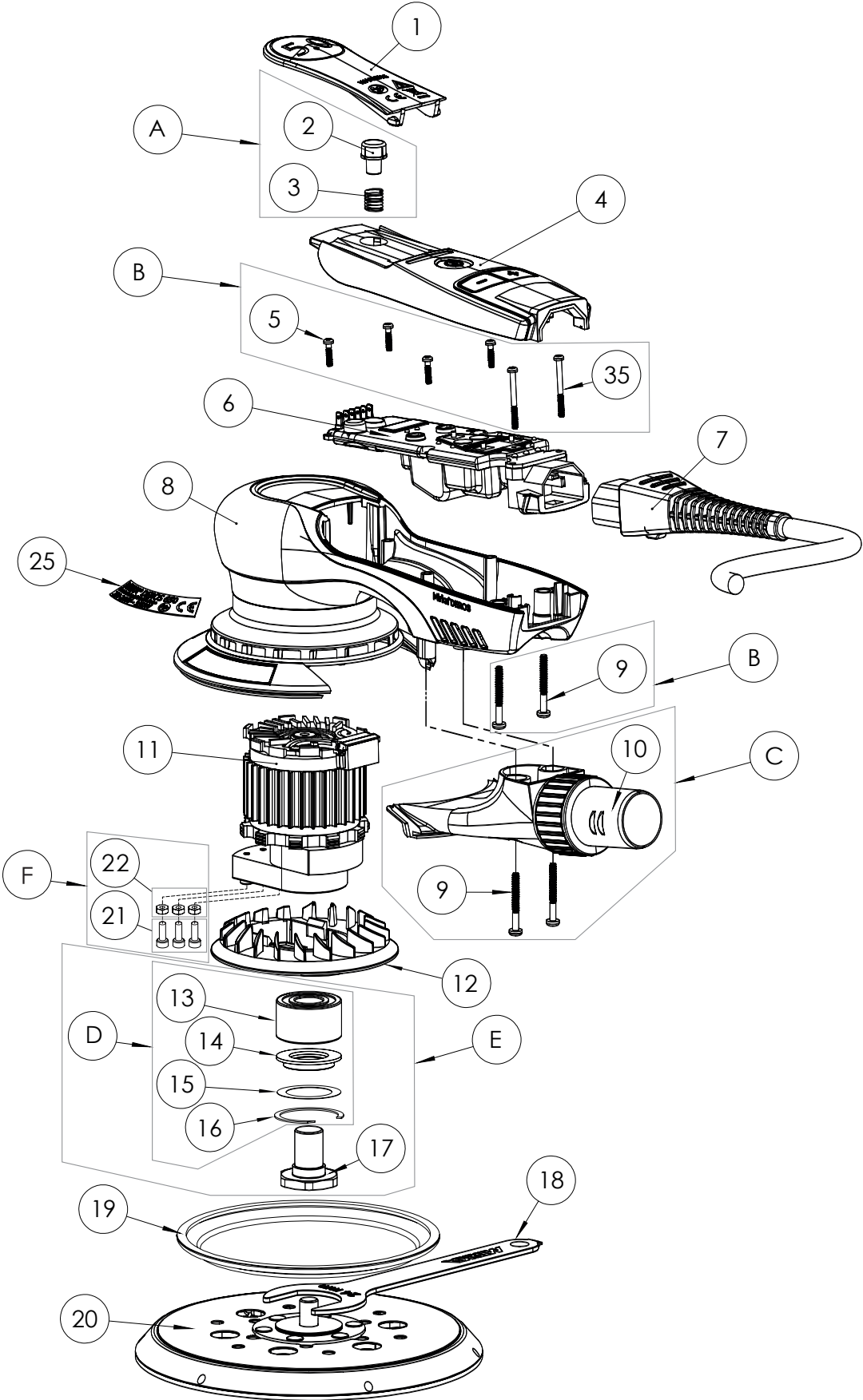


Exploded view of DEROS X 125 mm & 150 mm (100–120 V)



DEROS Spare part kits (100-120V)

Electrical tool must be serviced by a qualified repair person and in accordance with national requirements.

Note! Repairs done by non-authorized repairer will breach the Mirka warranty.

Mirka code	Item	Description	Kit	Qty	Tightening torque
MIE6520211		Start Button Kit			
	2	Start Button	A	1	
	3	Start Button Spring		1	
MIE6520511		Screw Kit			
	5	Screws	B	4	0,6 Nm
	9	Housing screws		2	1,4 Nm
35	Screws	2		0,6 Nm	
MIE6521011		Swivel Exhaust Kit			
	9	Housing screws	C	2	1,5 Nm
	10	Swivel Exhaust		1	
MIE6536211		Bearing Dual Seal Kit			
	13	Double Row Bearing		1	
	14	Dual Seal	D	1	
	15	Washer		1	
	16	Retaining Ring		1	
MIE6536011		Spindle Bearing Dual Seal Kit			
	13	Double Row Bearing		1	
	14	Dual Seal	E	1	
	15	Washer		1	
	16	Retaining Ring		1	
17	Spindle 5/16"	1			
8995690101		Balancing Screw Kit			
	21	Screws	F	5	
	22	Nut		3	
	Hex Key	1			
MIE6522511US	25	Type Label Kit US(550, 625, 650)		30	

Separate spare parts on next page.

DEROS Spare parts (100-120V)

Mirka code	Item	Description	Kit	Qty	Tightening torque
MIE6210111	1	Lever 2,5 mm (150 mm)		1	
MIE6510111	1	Lever 5,0 mm (125 & 150 mm)		1	
MIE6810111	1	Lever 8,0 mm (150 mm)		1	
	2	Start Button	A	1	
	3	Start Button Spring	A	1	
MIE6510411	4	Cover Plate		1	
	5	Screws	B	4	
MIE6560611	6	Speed Controller*		1	
MIE6517211	7	Mains Cable US 4,3 m, 100-120 V		1	
MIE6517311	7	Mains Cable UK 4,3 m, 100-120 V		1	
MIE6520811	8	Housing		1	
	9	Housing Screws	B, C	2, 2	
	10	Swivel Exhaust	C	1	
MIE5561111	11	Motor 5,0 mm/100 g Pad (125 mm)*		1	25 Nm
MIE6261111	11	Motor 2,5 mm/130 g Pad (150 mm)*		1	25 Nm
MIE6561111	11	Motor 5,0 mm/130 g Pad (150 mm)*		1	25 Nm
MIE65111B1	11-B	Ground Wire		1	
MIE5511211	12	Fan 5,0 mm/100 g Pad (125 mm)		1	
MIE6211211	12	Fan 2,5 mm/130 g Pad (150 mm)		1	
MIE6511211	12	Fan 5,0 mm/130 g Pad (150 mm)		1	
MIE6811211	12	Fan 8,0 mm/130 g Pad (150 mm)		1	
	13	Double Row Bearing	D, E	1	
	14	Dual Seal	D, E	1	
	15	Washer	D, E	1	
	16	Retaining Ring	D, E	1	
8995603201	17	Spindle 5/16"	E	1	
8995604121	18	Pad Wrench 24mm for 125/150 mm		1	
8995603211	19	Brake Seal		1	
8292502011	20	Backing Pad Net 125 mm 5" 5/16" 28H Medium 100 g		1	
8292502511	20	Backing Pad Net 125 mm 5" 5/16" 28H Medium 130 g		1	
8292605011	20	Backing Pad Net 150 mm 6" 5/16" 48H Medium 130 g		1	
	21	Screws	F	5	
	22	Nut	F	3	
	25	Type Label US		1	
	35	Screws	B	2	

* Spare parts only available to authorized repairers.