



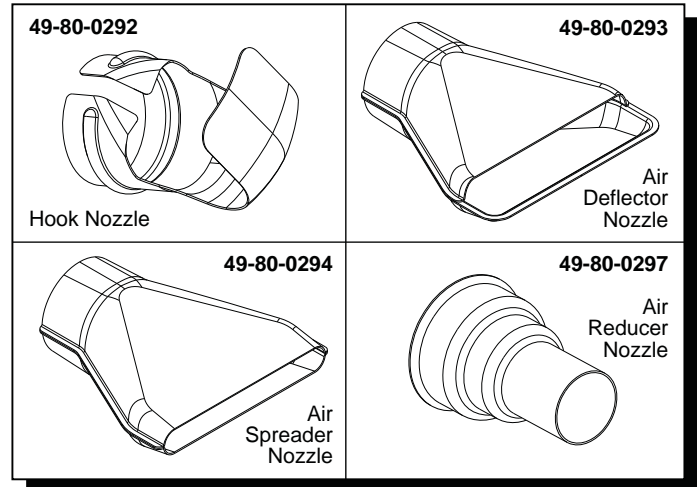
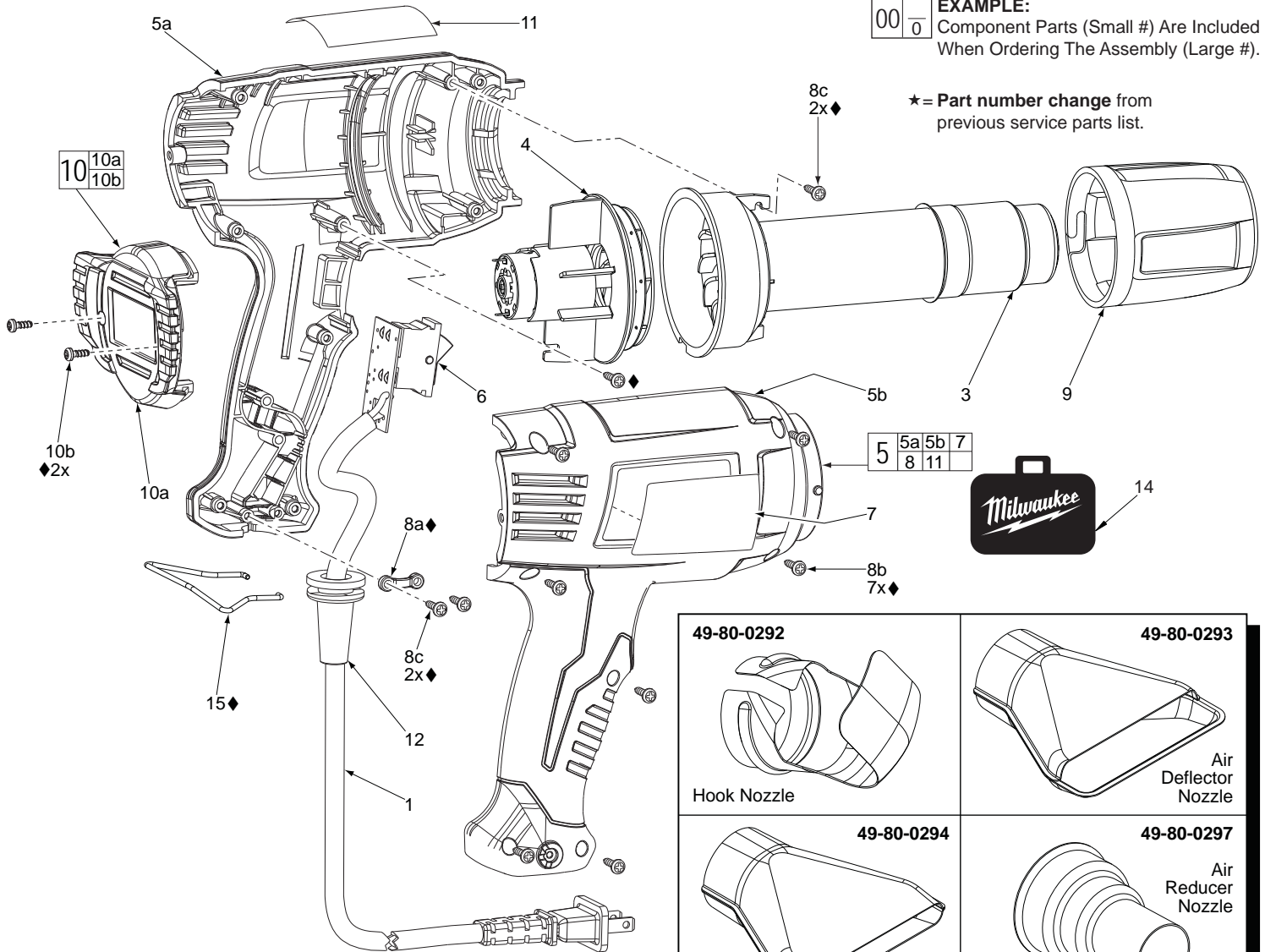
SERVICE PARTS LIST

BULLETIN NO.
54-05-0642

SPECIFY CATALOG NO. AND SERIAL NO. WHEN ORDERING PARTS			REVISED BULLETIN 54-05-0641	DATE Aug. 2013
DOUBLE INSULATED HEAT GUN				
CATALOG NO.	8975-6	SERIAL NUMBER	731A	
			WIRING INSTRUCTION See Reverse Side	

EXAMPLE:
Component Parts (Small #) Are Included
When Ordering The Assembly (Large #).

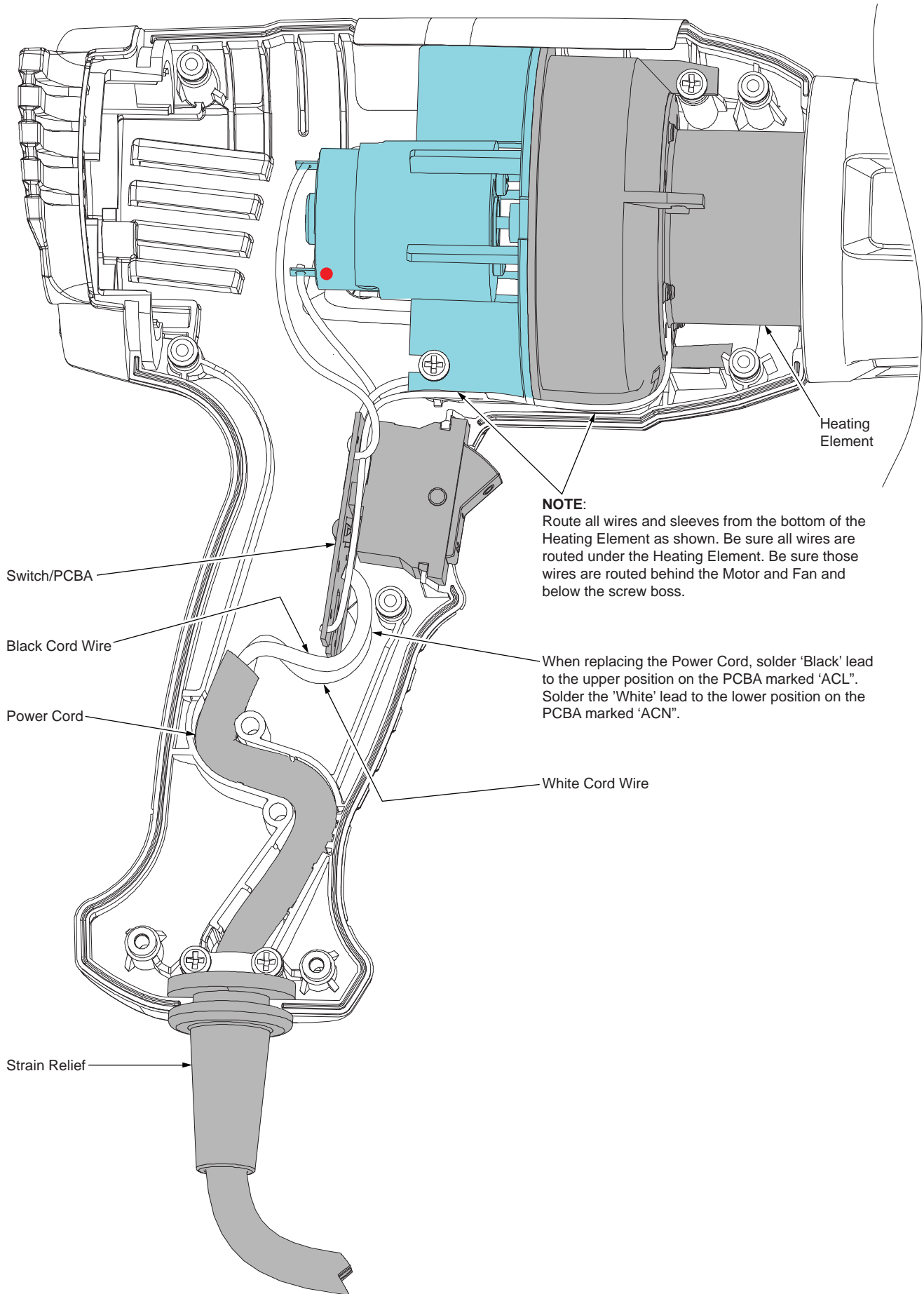
★ = Part number change from
previous service parts list.



Cat. No. 49-80-0300
Heat Gun Accessory Assortment
Includes the four accessories listed above.

FIG.	PART NO.	DESCRIPTION OF PART	NO. REQ.
★ 1	22-64-8975	Cord Set	(1)
★ 3	-----	Heating Element Assembly	(1)
★ 4	14-46-8974	Motor and Fan Assembly	(1)
★ 5	14-46-8977	Handle Service Kit	(1)
★ 5a	-----	Left Handle Halve	(1)
★ 5b	-----	Right Handle Halve	(1)
★ 6	-----	Switch/PCBA	(1)
★ 7	12-20-8975	Service Nameplate Kit	(1)
★ 8	14-46-8979	Repair Service Kit (Includes all ♦ items)	(1)
★ 8a	-----	Cord Clamp	(1)
★ 8b	-----	M3 x 13 Phillips Pan Hd. Screw	(7)
★ 8c	-----	M3 x 13 Phillips Pan Hd. Screw	(4)
★ 9	44-90-8975	Nose Shield	(1)
★ 10	31-12-8975	End Cap Service Kit	(1)
★ 10a	-----	End Cap	(1)
★ 10b	-----	M3.5 x 8 Phillips Pan Hd. Screw	(2)
★ 11	10-20-0112	Warning Label	(1)
★ 12	44-76-8975	Strain Relief	(1)
★ 14	42-55-8975	Carrying Case	(1)
★ 15	-----	Wire Tool Support	(1)

8 ♦ 14-46-8979 Repair Service Kit				
Consists of:				
Fig.	Description of Part	Where Used	Color	Qty.
10b	M3.5 x 8 Phillips Pan Hd. Screw	End Cap	Black	2
8b	M3 x 13 Phillips Pan Hd. Screw	Right Handle	Black	7
8c	M3 x 13 Phillips Pan Hd. Screw	Heating Element	Chrome	2
8c	M3 x 13 Phillips Pan Hd. Screw	Cord Clamp	Chrome	2
15	Wire Tool Support	Handle Halves	-----	1
8a	Cord Clamp	Left Handle	-----	1





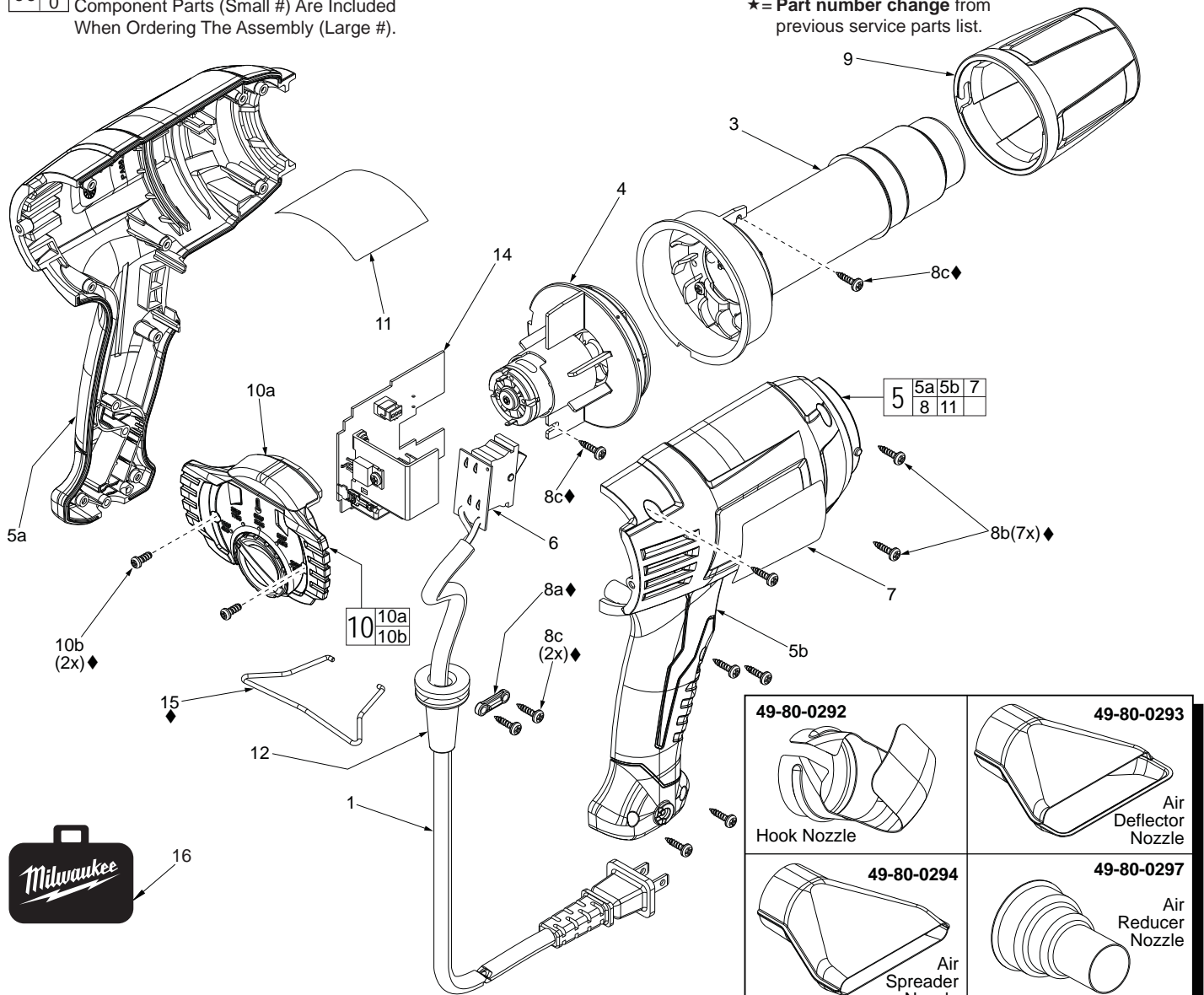
SERVICE PARTS LIST

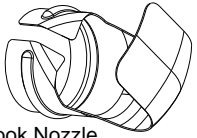
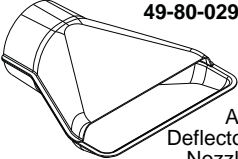
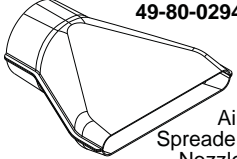
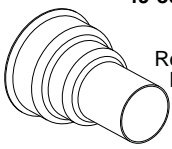
BULLETIN NO.
54-05-0652

SPECIFY CATALOG NO. AND SERIAL NO. WHEN ORDERING PARTS			REVISED BULLETIN 54-05-0651	DATE Aug. 2013
D.I. VARIABLE TEMPERATURE HEAT GUN				
CATALOG NO.	8977-20	SERIAL NUMBER	747A	
			WIRING INSTRUCTION See Reverse Side	

EXAMPLE:
Component Parts (Small #) Are Included
When Ordering The Assembly (Large #).

★ = Part number change from
previous service parts list.

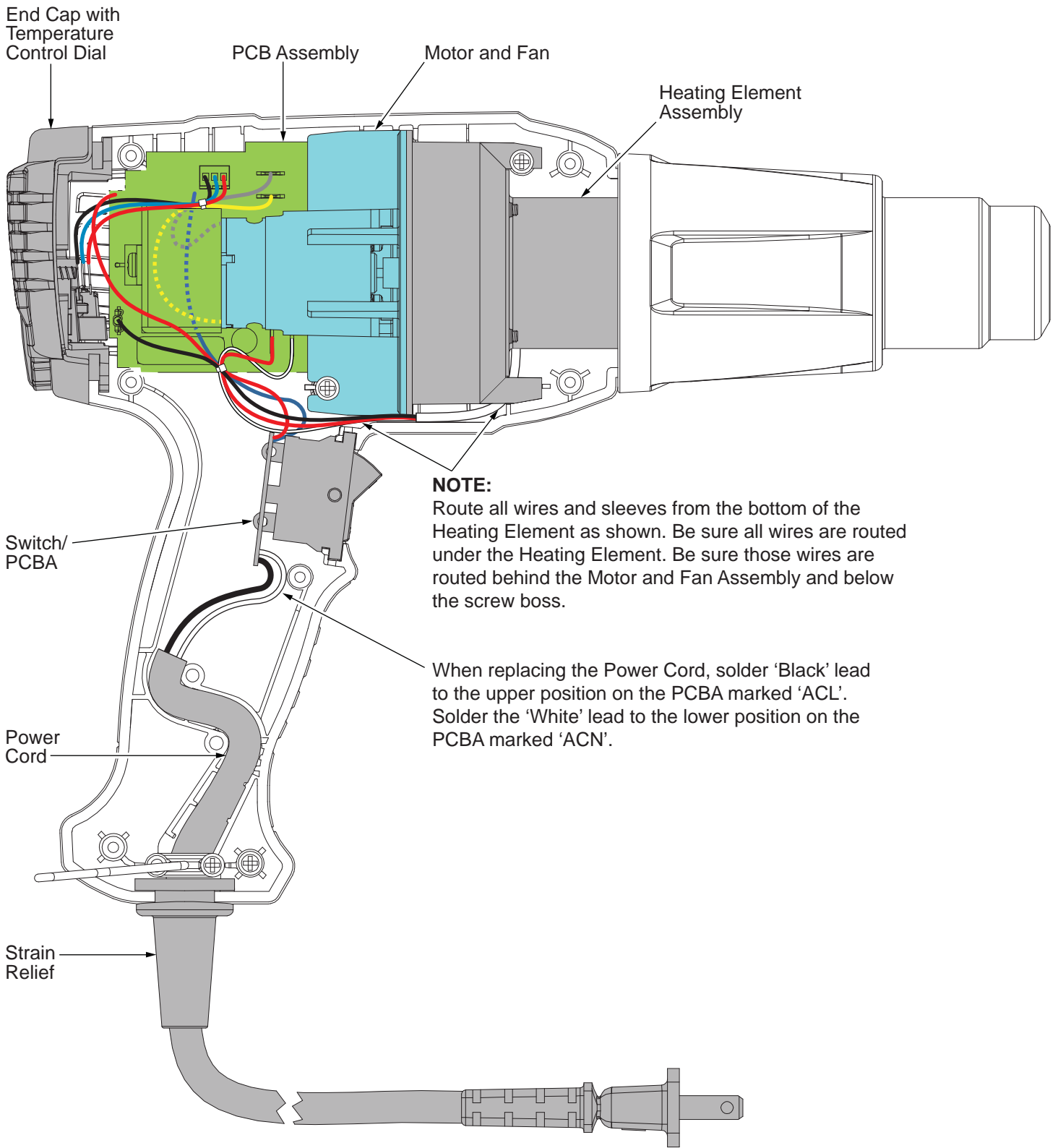


49-80-0292  Hook Nozzle	49-80-0293  Air Deflector Nozzle
49-80-0294  Air Spreader Nozzle	49-80-0297  Air Reducer Nozzle

Cat. No. 49-80-0300
Heat Gun Accessory Assortment
Includes the four accessories listed above.

FIG.	PART NO.	DESCRIPTION OF PART	NO. REQ.
★ 1	22-64-8975	Cord Set	(1)
★ 3	-----	Heating Element Assembly	(1)
★ 4	14-50-0435	Motor and Fan Assembly	(1)
★ 5	14-46-8977	Handle Service Kit	(1)
★ 5a	-----	Left Handle Halve	(1)
★ 5b	-----	Right Handle Halve	(1)
★ 6	-----	Switch/PCBA	(1)
★ 7	12-20-8975	Service Nameplate Kit	(1)
★ 8	14-46-8979	Repair Service Kit (Includes all ♦ items)	(1)
★ 8a	-----♦	Cord Clamp	(1)
★ 8b	-----♦	M3 x 13 Phillips Pan Hd. Screw	(7)
★ 8c	-----♦	M3 x 13 Phillips Pan Hd. Screw	(4)
★ 9	44-90-8975	Nose Shield	(1)
★ 10	31-12-8977	End Cap Service Kit	(1)
★ 10a	-----	End Cap	(1)
★ 10b	-----♦	M3.5 x 8 Phillips Pan Hd. Screw	(2)
★ 11	10-20-0112	Warning Label	(1)
★ 12	44-76-8975	Strain Relief	(1)
★ 14	-----	PCB Assembly	(1)
★ 15	-----♦	Wire Tool Support	(1)
★ 16	42-55-8975	Carrying Case	(1)

8 ♦ 14-46-8979 Repair Service Kit				
Consists of:				
Fig.	Description of Part	Where Used	Color	Qty.
10b	M3.5 x 8 Phillips Pan Hd. Screw	End Cap	Black	2
8b	M3 x 13 Phillips Pan Hd. Screw	Right Handle	Black	7
8c	M3 x 13 Phillips Pan Hd. Screw	Heating Element	Chrome	2
8c	M3 x 13 Phillips Pan Hd. Screw	Cord Clamp	Chrome	2
15	Wire Tool Support	Handle Halves	----	1
8a	Cord Clamp	Left Handle	----	1





SERVICE PARTS LIST

BULLETIN NO.
54-05-0825

SPECIFY CATALOG NO. AND SERIAL NO. WHEN ORDERING PARTS		REVISED BULLETIN	DATE
3 - STAGE HEAT GUN with DISPLAY			Dec. 2000
CATALOG NO. 8988-20	STARTING SERIAL NUMBER	199A - 1001	
		WIRING INSTRUCTION See Reverse Side	

EXAMPLE:

00	0
----	---

 Component Parts (Small #) Are Included
 When Ordering The Assembly (Large #).

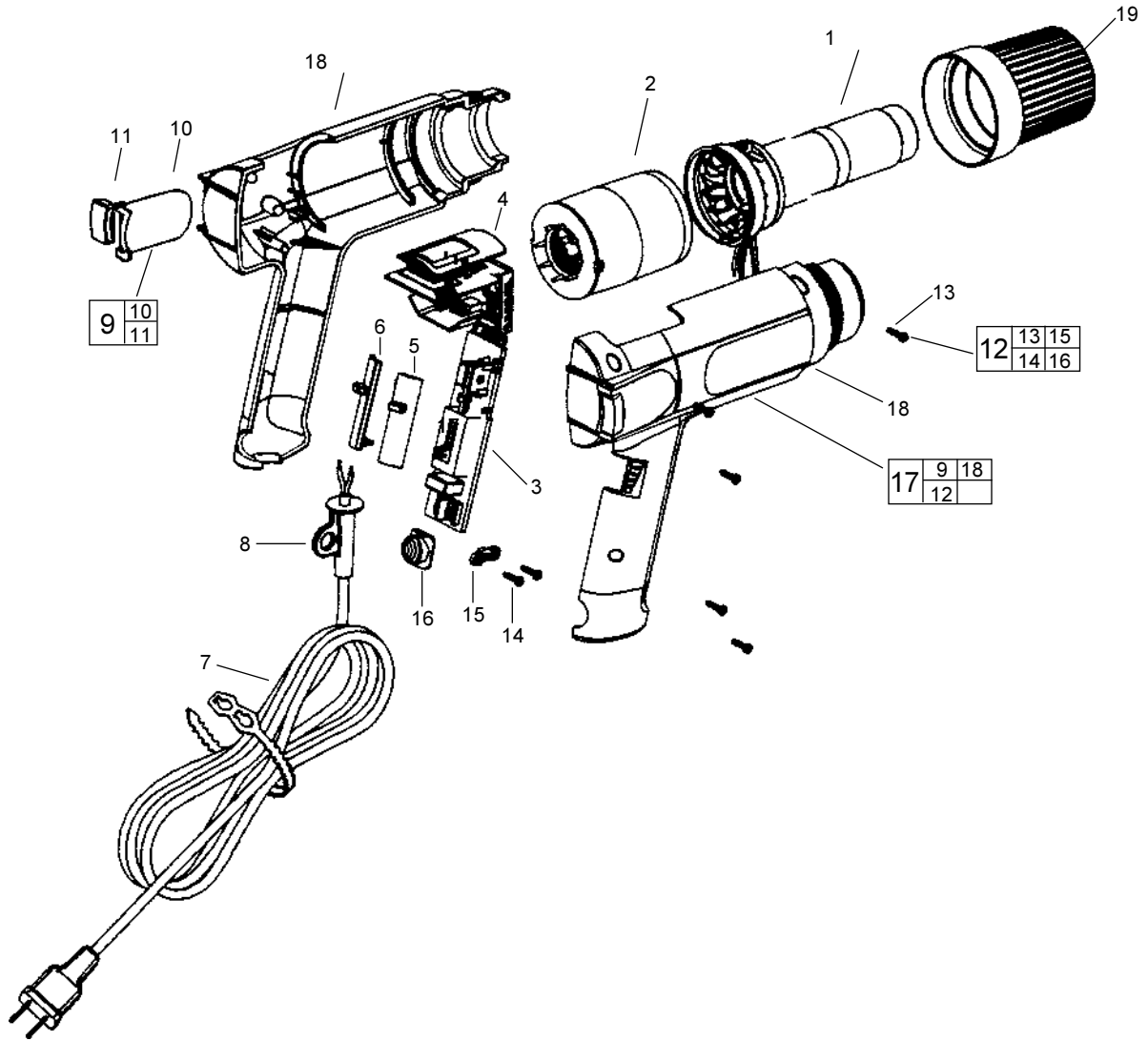
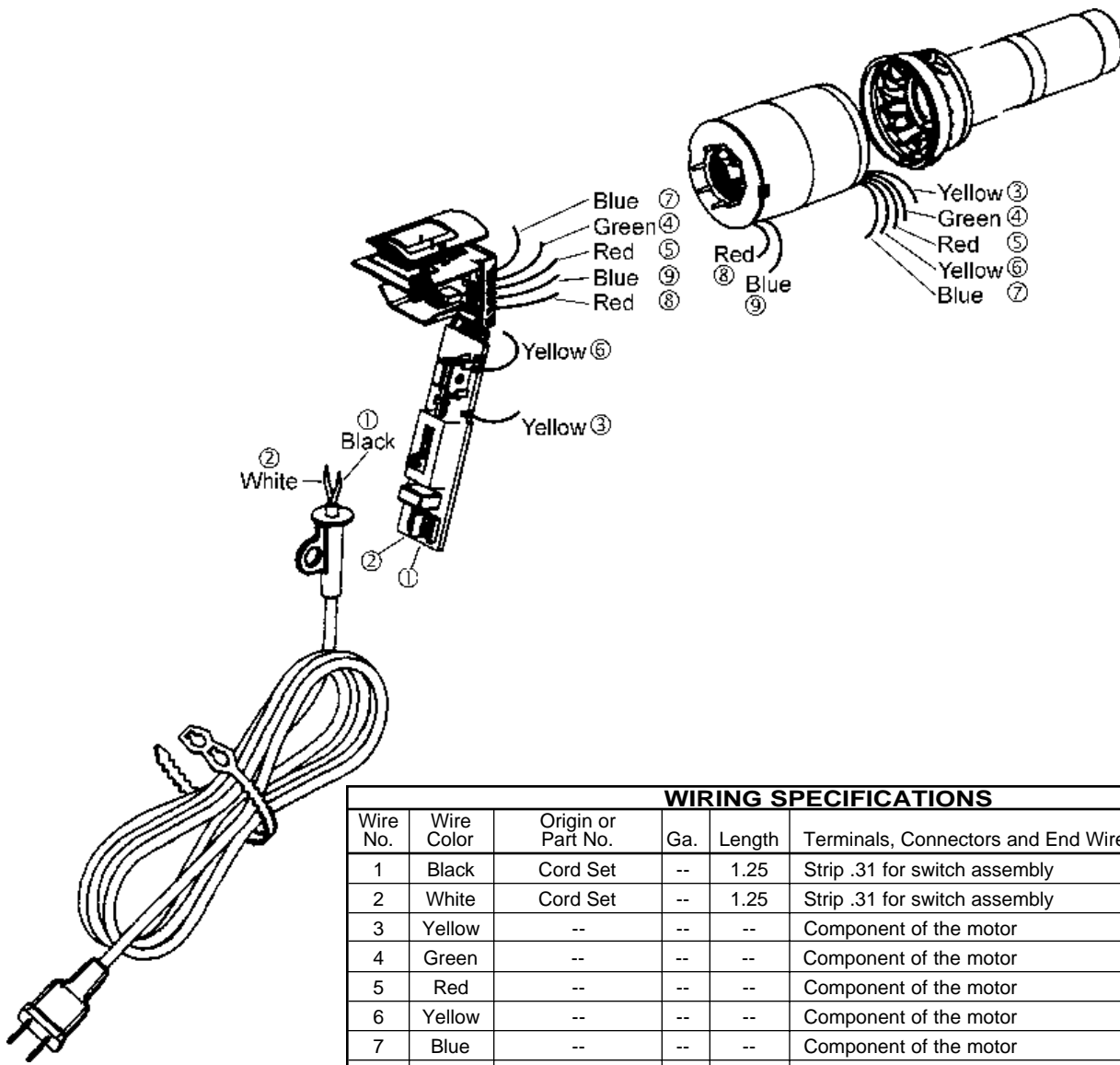
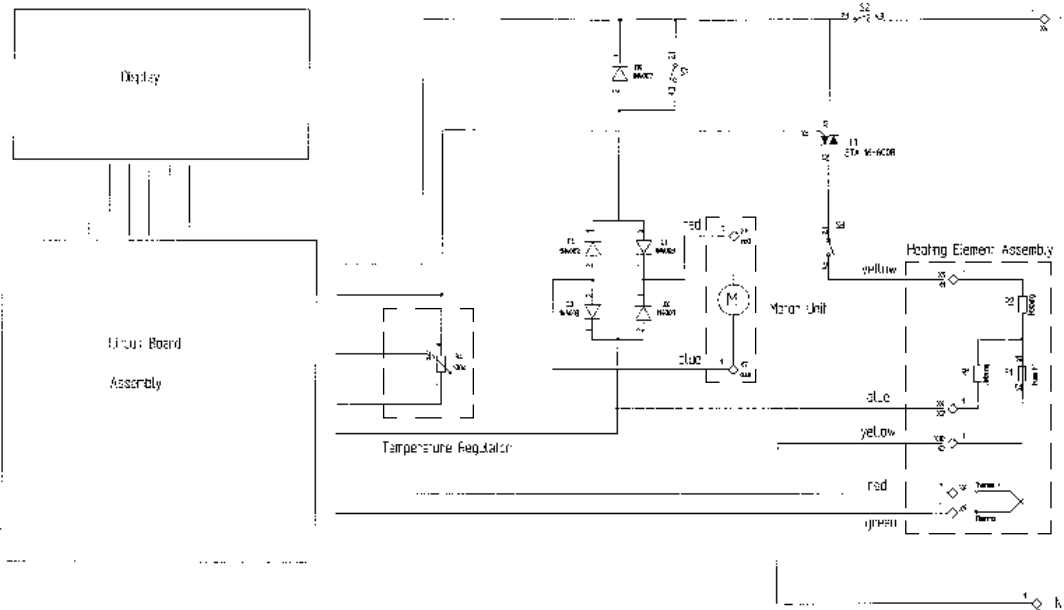


FIG.	PART NO.	DESCRIPTION OF PART	QTY.	FIG.	PART NO.	DESCRIPTION OF PART	QTY.
1	14-20-0465	Heating Element	(1)	12	14-46-8986	Repair Kit	(1)
2	14-50-0635	Motor	(1)	13	-----	Housing Screws	(5)
3	23-66-2055	Switch Assembly	(1)	14	-----	Cord Screws	(2)
4	31-15-0025	LCD Display Cover	(1)	15	-----	Cord Clamp	(1)
5	31-84-0010	Switch Cap - Temperature (Red)	(1)	16	-----	Rubber Support	(1)
6	31-84-0015	Switch Cap - Power (Blue)	(1)	17	14-38-0575	Housing Kit	(1)
7	22-64-0830	Cord	(1)	18	-----	Housing Halves	(2)
8	44-76-0165	Strain Relief	(1)	19	31-55-0165	Nose Guard	(1)
9	14-46-8988	Air Filter Kit	(1)	--	12-20-8988	Service Nameplate Kit (not shown)	(1)
10	-----	Air Filter	(2)	--	-----	Milwaukee Label (not shown)	(1)
11	-----	Rubber Pad	(2)	--	-----	Caution Label (not shown)	(1)
				--	-----	Nameplate (not shown)	(1)



WIRING SPECIFICATIONS					
Wire No.	Wire Color	Origin or Part No.	Ga.	Length	Terminals, Connectors and End Wire Preparation
1	Black	Cord Set	--	1.25	Strip .31 for switch assembly
2	White	Cord Set	--	1.25	Strip .31 for switch assembly
3	Yellow	--	--	--	Component of the motor
4	Green	--	--	--	Component of the motor
5	Red	--	--	--	Component of the motor
6	Yellow	--	--	--	Component of the motor
7	Blue	--	--	--	Component of the motor
8	Red	--	--	--	Component of the motor
9	Blue	--	--	--	Component of the motor

BULK LEAD WIRE - BULLETIN 58-01-0003





SERVICE PARTS LIST

BULLETIN NO.
54-05-0826

SPECIFY CATALOG NO. AND SERIAL NO. WHEN ORDERING PARTS			REVISED BULLETIN	DATE
D.I. VARIABLE TEMP. HEAT GUN with Display			54-05-0825	Feb. 2014
CATALOG NO.	8988-20	SERIAL NUMBER	WIRING INSTRUCTION	
		199B	See Reverse Side	

EXAMPLE:
Component Parts (Small #) Are Included
When Ordering The Assembly (Large #).

★ = Part number change from
previous service parts list.

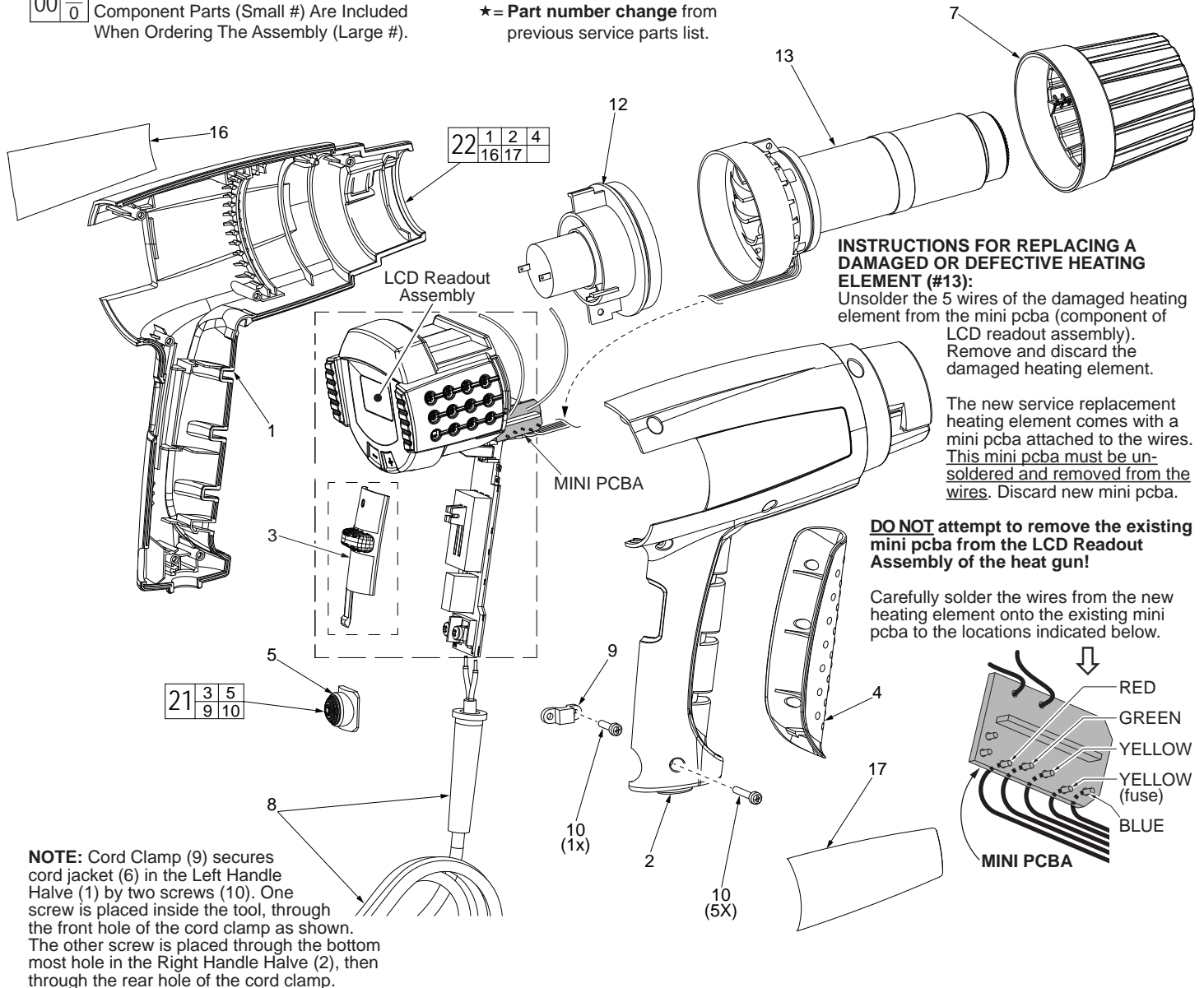
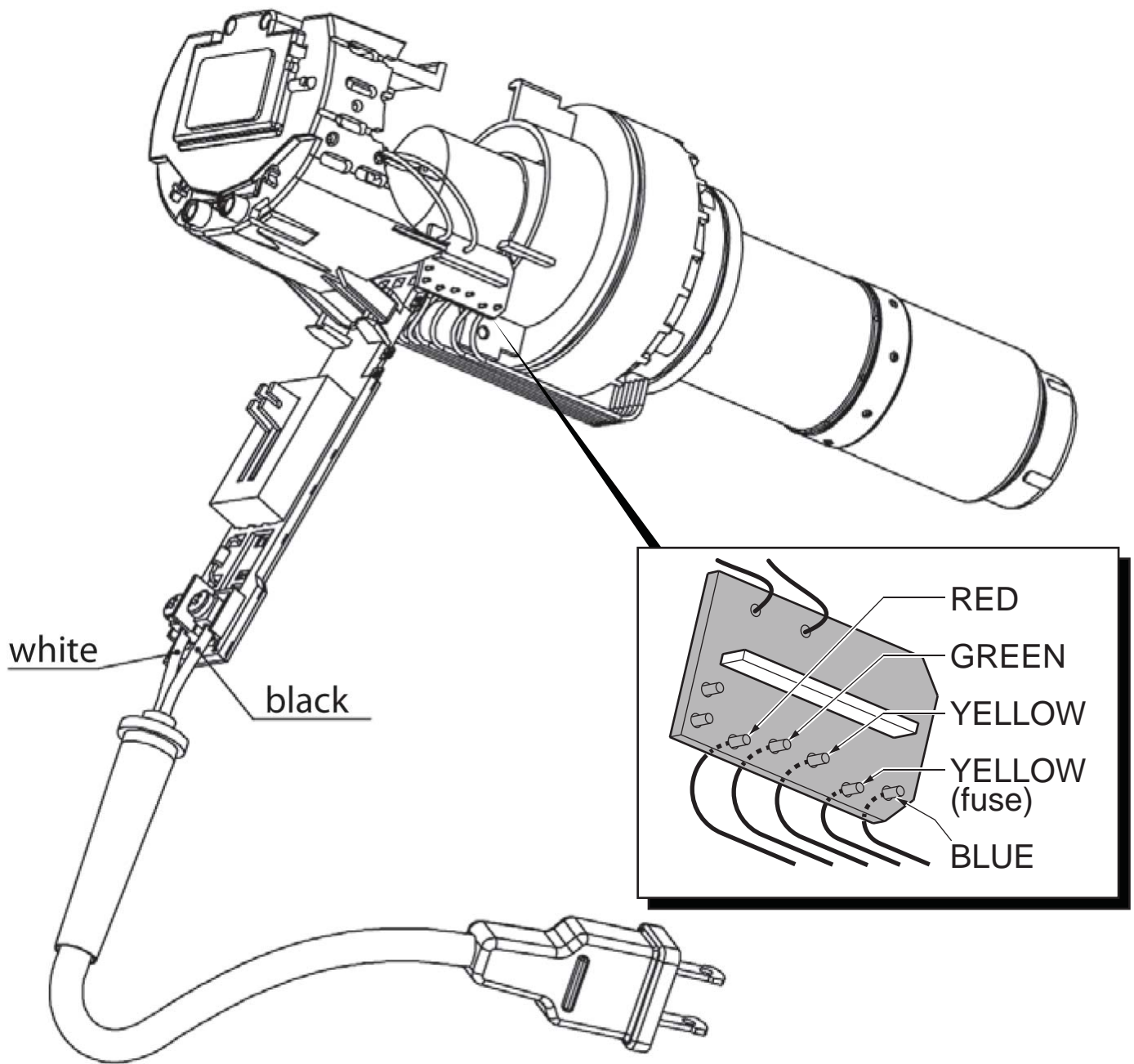


FIG.	PART NO.	DESCRIPTION OF PART	NO. REQ.
1	-----	Left Handle Halve	1
2	-----	Right Handle halve	1
3	-----	◆ Switch Cover with external markings	1
4	31-44-0013	Soft Grip	1
5	-----	◆ Rubber Tool Rest	1
7	31-55-0031	Nose Cone	1
8	22-64-0037	Cord Set with Cord Protector	1
9	-----	◆ Cord Clamp	1
10	-----	◆ Pan Head Phillips Screw (Chrome)	6
12	14-50-0051	Motor/Fan Assembly	1
13	14-20-0042	Heating Element	1
16	-----	Logo Label	1
17	12-20-8987	Service Nameplate	1
18	-----	Warning Label (Not Shown)	1
21	14-46-0021	Repair Service Kit	1
22	14-38-0022	Handle Service Kit	1

21 ◆ 14-46-0021 Repair Service Kit				
Consists of:				
Fig.	Description of Part	Where Used	Color	Qty.
3	Switch Cover w/markings	Internal Switch	Black	1
5	Rubber Tool Rest	Handle Halves	Black	1
9	Cord Clamp	Cord Jacket	White	1
10	Pan Head Phillips Screw	Cord Clamp	Chrome	1
10	Pan Head Phillips Screw	Right Handle	Chrome	5



INSTRUCTIONS FOR REPLACING A DAMAGED OR DEFECTIVE HEATING ELEMENT (#13):

- Unsolder the 5 wires of the damaged heating element from the mini pcba (component of LCD readout assembly). Remove and discard the damaged heating element.
- The new service replacement heating element comes with a mini pcba attached to the wires. This mini pcba must be unsoldered and removed from the wires. Discard new mini pcba.
- **DO NOT attempt to remove the existing mini pcba from the LCD Readout Assembly of the heat gun!**
- Carefully solder the wires from the new heating element onto the existing mini pcba to the locations indicated in the detail.