



# SERVICE PARTS LIST

**BULLETIN NO.**  
**54-40-1940**

SPECIFY CATALOG NO. AND SERIAL NO. WHEN ORDERING PARTS		REVISED BULLETIN	DATE
<b>10-1/4" CIRCULAR SAW</b>			
CATALOG NO. <b>6470-21</b>	STARTING SERIAL NO. <b>B49A</b>	WIRING INSTRUCTION <b>58-01-0756</b>	

**EXAMPLE:**  
Component Parts (Small #) Are Included When Ordering The Assembly (Large #).

\* Carriage Bolt (15) is to be routed through the square hole in Upper Guard/Gearcase (41) prior to assembly onto the Depth Bracket (63).

**SEE REVERSE SIDE FOR LUBRICATION AND SERVICE NOTES**

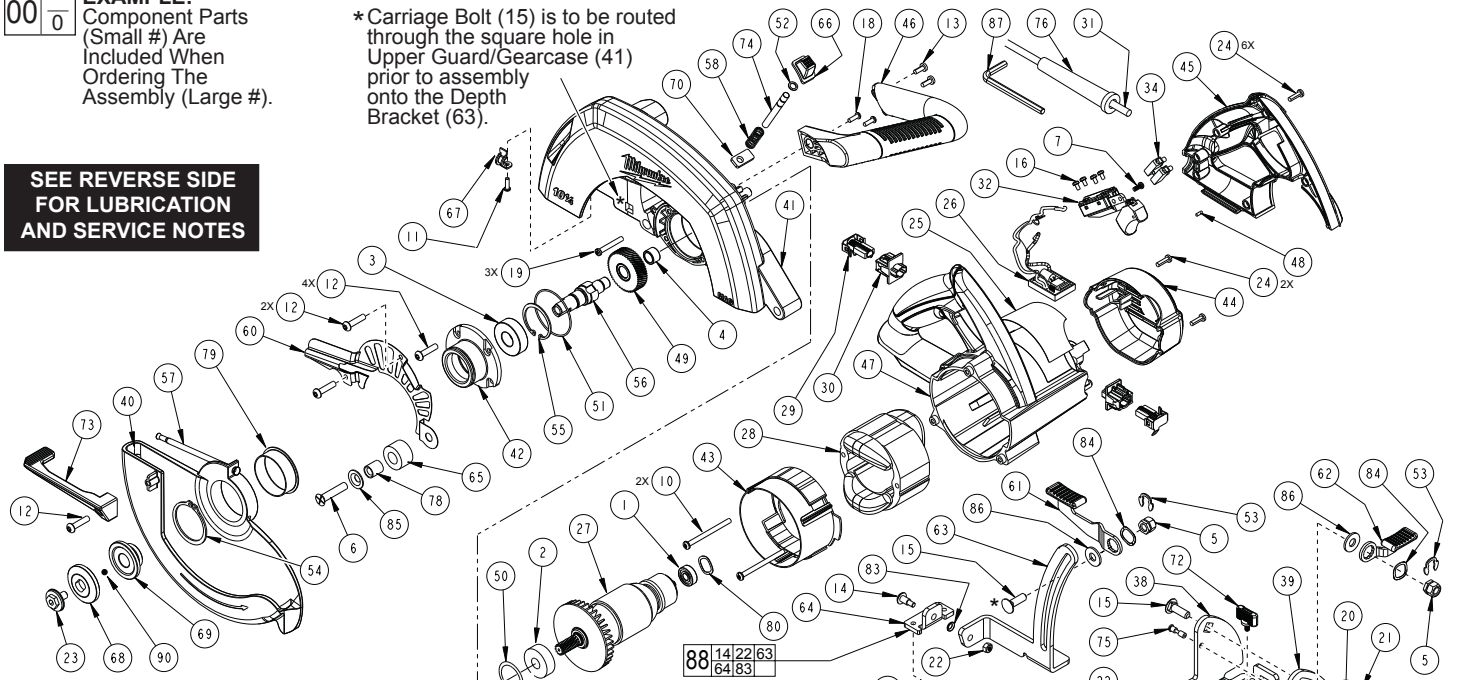


FIG.	PART NO.	DESCRIPTION OF PART	QTY. REQ.
1	02-04-0847	Ball Bearing	(1)
2	02-04-1291	Ball Bearing	(1)
3	02-04-1747	Ball Bearing	(1)
4	02-50-0110	Needle Bearing	(1)
5	05-55-2030	8mm Bevel Hex Nut	(2)
6	05-70-0335	M8 x 40mm Flat Hd. T-30 Screw	(1)
7	05-71-0017	M4 x 10mm T-15 Screw	(1)
8	05-74-0950	M3 x 5mm Flat Hd. T-20 Screw	(1)
9	05-74-1005	M6 x 10mm Flat Hd. T-25 Screw	(9)
10	05-74-0980	M5 x 65mm T-25 Field Screw	(2)
11	05-74-0985	M4 x 12mm Pan Hd. Tapt. T-20 Screw	(1)
12	05-74-0990	M5 x 15mm Pan Hd. T-25 Screw	(7)
13	05-74-0995	8-16 x .5 Pan Hd. T-20 Screw	(2)
14	05-74-1000	M5 x 10mm T-25 Screw	(2)
15	05-77-1360	M8 x 23mm Carriage Bolt	(2)
16	05-78-0305	M3.5 x 7mm T-15 Switch Screw	(4)
17	05-84-0980	M5 x 10mm Set Screw	(1)
18	05-86-0200	M5 x 11mm T-20 Screw	(1)
19	05-88-5988	M5 x 35mm Pan Hd. Slit. T-20 Screw	(3)
20	05-90-0160	External Tooth Lock Washer	(1)
21	06-57-0050	M6 Hex Nut	(1)
22	05-55-0620	M5 x 8mm Hex Nut	(2)
23	06-75-0038	5/16"-18 x 9/16" Blade Screw	(1)
24	06-82-7270	8-16 x 5/8" Pan Hd. Slit. Plast. T-20 Screw	(8)
25	12-20-6470	Service Nameplate Kit	(1)
26	14-20-0880	PCB Assembly	(1)
27	16-70-0550	Service Armature	(1)
28	18-70-0550	Service Field	(1)
29	22-18-0035	Brush Assembly	(2)
30	22-22-0030	Brush Tube Assembly	(2)
31	22-64-6515	Cord Set	(1)
32	23-66-1813	Switch	(1)
34	23-74-0140	Terminal Block	(1)
38	-----	Bevel Bracket	(1)
39	-----	Bevel Plate	(1)
40	28-41-0662	Lower Guard	(1)
41	28-41-0673	Upper Guard/Gearcase	(1)
42	28-53-0165	Spindle Hub	(1)
43	31-05-0017	Fan Baffle	(1)
44	31-15-0463	Motor Housing Cover	(1)
45	31-44-0485	Handle Halve - Left	(1)
46	31-44-0488	Bale Handle Assembly	(1)
47	31-50-0156	Motor Housing	(1)
48	31-53-0105	Rubber Plug	(1)
49	32-75-3225	Output Gear	(1)
50	34-40-0160	O-Ring	(1)
51	34-40-0165	O-Ring	(1)
52	34-60-0750	E-Clip	(1)
53	34-60-2330	E-Clip	(2)
54	34-80-0900	External Retaining Ring	(1)
55	34-80-2975	40mm Retaining Ring	(1)
56	38-50-6470	Output Spindle	(1)
57	40-50-7753	Lower Guard Spring	(1)

**NOTE:** For item #9, some earlier tools may have used 05-74-0970 (M5 x 10 Flat Hd. T-20 screw). A drop of "Blue" Loctite, Type 242 is needed on the threads.

FIG.	PART NO.	DESCRIPTION OF PART	QTY. REQ.
58	40-50-8040	Bevel Detent Spring	(1)
59	40-50-8370	Compression Spring	(1)
60	42-14-1215	Upper Guard Baffle	(1)
61	42-36-1121	Depth Lever Assembly	(1)
62	42-36-1122	Bevel Lever Assembly	(1)
63	-----	Depth Bracket	(1)
64	-----	Elevation Pivot Bracket	(1)
65	42-38-0225	Rubber Bumper	(1)
66	42-42-0105	Spindle Lock Button	(1)
67	42-68-0860	Retaining Clip	(1)
68	43-34-0263	Outer Blade Flange	(1)
69	43-34-0264	Inner Blade Flange	(1)
70	43-44-1210	Fiber Gasket	(1)
71	43-70-0025	Hinge Pin	(1)
72	43-98-0550	Edge Guide Lock	(1)
73	44-10-0675	Lower Guard Lever	(1)
74	44-20-1220	Spindle Lock	(1)
75	44-60-1155	Bevel Detent Pin	(1)
76	44-76-0050	Strain Relief	(1)
77	45-16-0383	Shoe	(1)
78	45-22-0390	Bumper Sleeve	(1)
79	45-22-0765	Lower Guard Sleeve	(1)
80	45-88-0577	Wave Spring Washer	(1)
81	45-88-1390	Plastic Washer	(1)
82	45-88-1415	Bevel Cap	(1)
83	45-88-1435	Curved Washer	(2)
84	45-88-7103	Wave Washer	(2)
85	45-88-7480	Washer	(1)
86	45-88-8460	Washer	(2)
87	49-96-0345	Hex Key	(1)
88	14-74-0340	Shoe Bracket Assembly	(1)
89	14-74-0330	Shoe Bevel Assembly	(1)
90	48-40-4170	10-1/4" Saw Blade (Not Shown)	(1)
	28-35-0080	Rip Fence (Not Shown)	(1)
	42-55-6470	Steel Carrying Case (Not Shown)	(1)

**FIG. LUBRICATION**

2,41,50 Apply a light film of grease or oil to the O-Ring (50) and the bearing bore in the Upper Guard/Gearcase (41) before assembling the Armature Bearing (2).

41 Place 1/2 Oz. Type "Y" Grease, No. 49-08-5270 in gear cavity of Upper Guard/Gearcase (41).

**NOTE:** 90-95% of the old grease must be removed prior to new grease being added.

**FIG. NOTES**

1 Orient the Ball Bearing (1) such that the seal faces the commutator of the Armature (27).

4 Orient the Needle Bearing (4) such that the vendor I.D. is facing the Gear (49). Press the bearing .045" subflush to the gear cavity wall in the Upper Guard/Gearcase (41).

6 Apply "Blue" Loctite, Type 242 to threads of the Rubber Bumper Screw (6) prior to assembly.

8 Apply "Blue" Loctite, Type 242 to the threads of the Bevel Detent Screw (8) prior to assembly.

40 Functionally check the Lower Guard (40) with the saw set at full depth of cut. Place the saw up side down with the Shoe (77) horizontal. Fully retract the Guard using Guard Lever (73) and then release it. The Guard must close briskly. Repeat Guard check two more times.

54 Orient External Retaining Ring (54) such that the beveled face is towards Lower Guard (40).

56,74 Functionally check the Spindle Lock (74). Spindle Lock must return briskly when released from engagement in Output Spindle (56).