

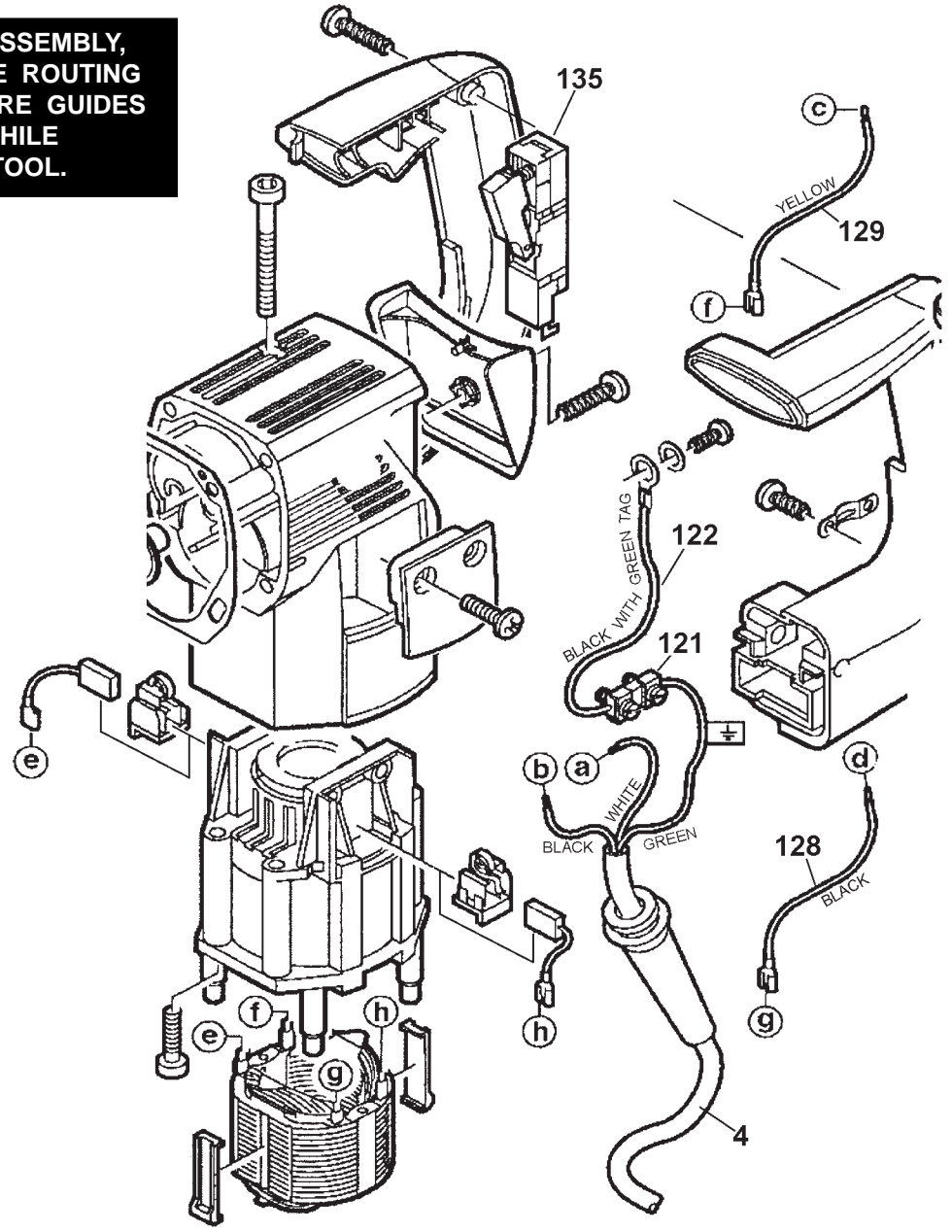
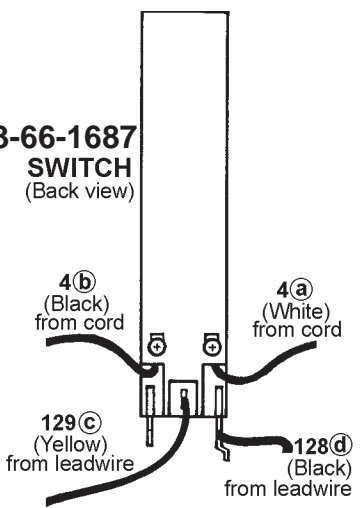
WIRING INSTRUCTIONS

TITLE	5359-21	409A (Series I)	1-1/8" ROTARY HAMMER
--------------	----------------	------------------------	-----------------------------

**BULLETIN
58-01-1860**

AS AN AID TO REASSEMBLY,
TAKE NOTE OF WIRE ROUTING
AND POSITION IN WIRE GUIDES
AND TRAPS WHILE
DISMANTLING TOOL.

**23-66-1687
SWITCH
(Back view)**



WIRING SPECIFICATIONS				
Wire No.	Wire Color	Origin or Gauge	Length	Terminals, Connectors and 1 or 2 End Wire Preparation
4a	White	Cord	----	Component of cord set
4b	Black	Cord	----	Component of cord set
4c	Green	Cord	----	Component of cord set
122	Black	23-94-1034	----	Leadwire assembly with green tag.
128	Black	23-94-1042	----	Leadwire assembly
129	Yellow	23-94-1037	----	Leadwire assembly

NOTE:
All leads must be held to $\pm 1/16"$.
All lead lengths are before stripping.

TERMINAL DESCRIPTION		
Code	Part No.	Qty.

CONNECTOR DESCRIPTION		
Code	Part No.	Qty.

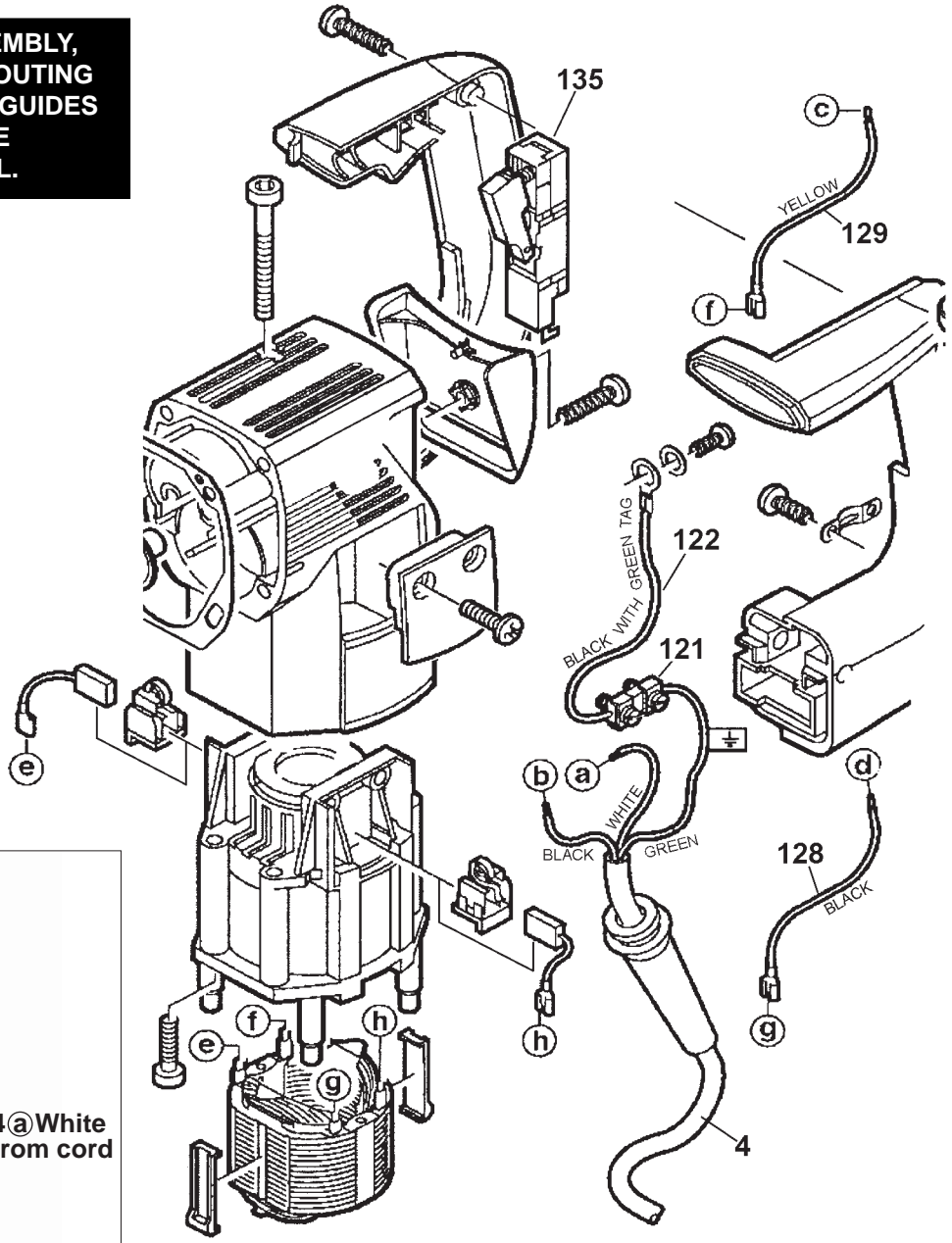
BULK LEAD WIRE - BULLETIN 58-01-0003

WIRING INSTRUCTIONS

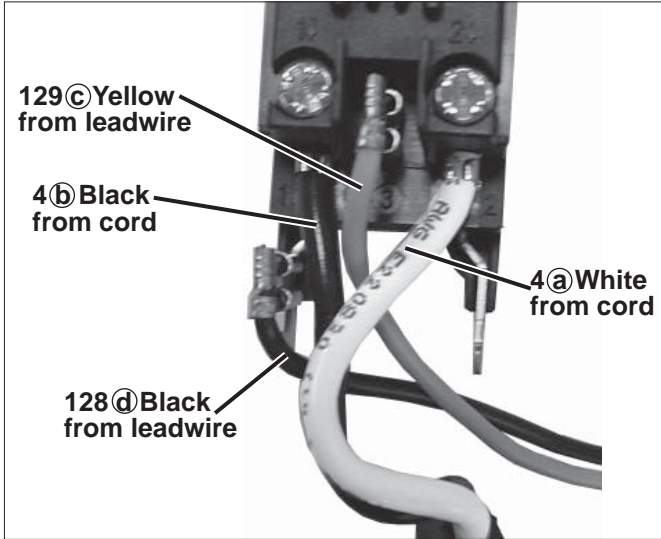
TITLE **5359-21 409B (409A Series II) 1-1/8" ROTARY HAMMER**

BULLETIN
58-01-1861

**AS AN AID TO REASSEMBLY,
TAKE NOTE OF WIRE ROUTING
AND POSITION IN WIRE GUIDES
AND TRAPS WHILE
DISMANTLING TOOL.**



23-66-0012 Switch



WIRING SPECIFICATIONS				
Wire No.	Wire Color	Origin or Gauge	Length	Terminals, Connectors and 1 or 2 End Wire Preparation
4a	White	Cord	----	Component of cord set
4b	Black	Cord	----	Component of cord set
4c	Green	Cord	----	Component of cord set
122	Black	23-94-1034	----	Leadwire assembly with green tag.
128	Black	23-94-0003	----	Leadwire assembly
129	Yellow	23-94-1037	----	Leadwire assembly

BULK LEAD WIRE - BULLETIN 58-01-0003

NOTE:
All leads must be held to $\pm 1/16"$.
All lead lengths are before stripping.

TERMINAL DESCRIPTION		
Code	Part No.	Qty.

CONNECTOR DESCRIPTION		