



SERVICE PARTS LIST

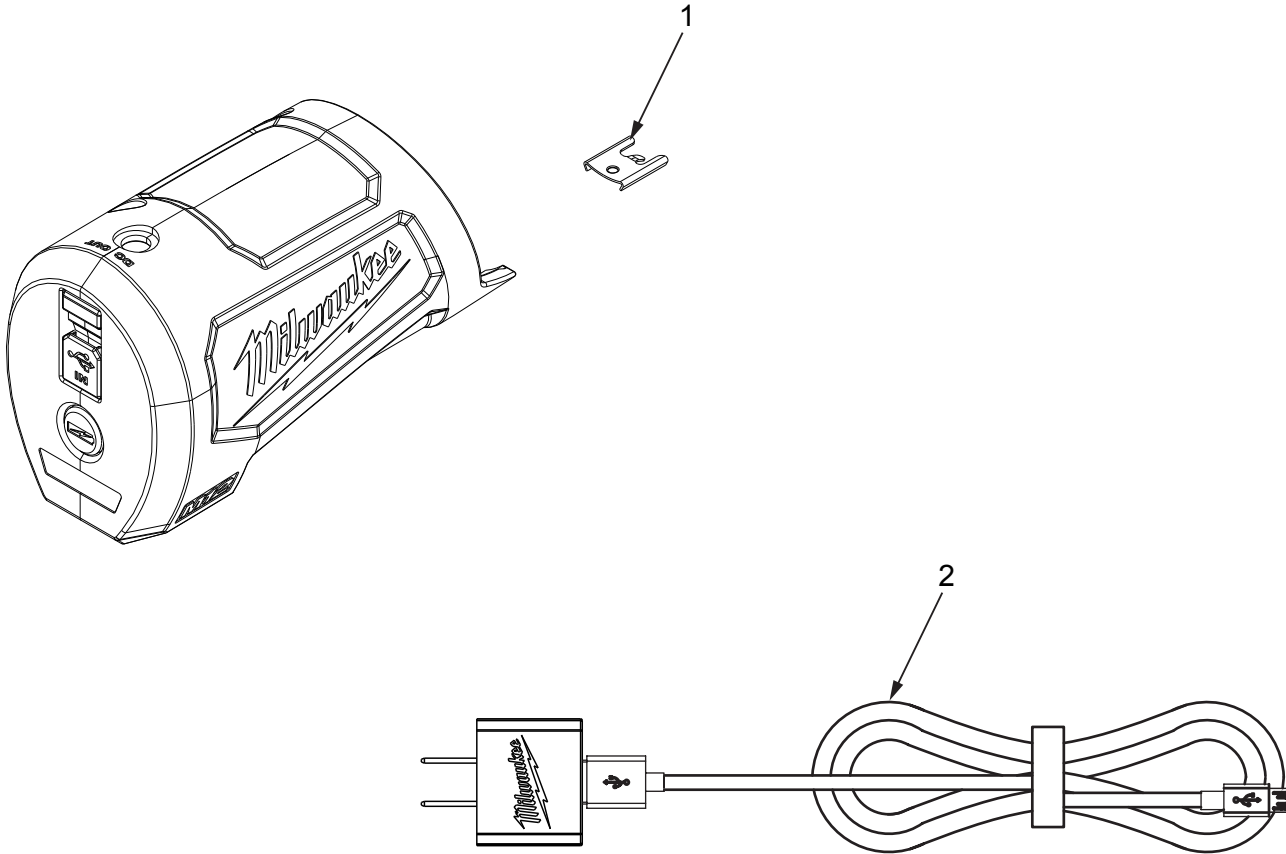
BULLETIN NO.
54-04-1200

| SPECIFY CATALOG NO. AND SERIAL NO. WHEN ORDERING PARTS | | | REVISED BULLETIN | DATE |
|--|---------------------|-------------|--------------------|----------|
| M12™ COMPACT CHARGER AND POWER SOURCE | | | | May 2017 |
| CATALOG NO. 48-59-1201 | STARTING SERIAL NO. | J30A | WIRING INSTRUCTION | |

EXAMPLE:

| | |
|----|---|
| 00 | 0 |
|----|---|

 Component Parts (Small #)
 Are Included When Ordering
 The Assembly (Large #).



| FIG. | PART NO. | DESCRIPTION OF PART | NO. REQ. |
|------|------------|--|----------|
| 1 | 42-70-0058 | Housing Clip | (1) |
| 2 | 48-59-1202 | Wall Plug and Micro-USB Cable (Optional) | (1) |
| 3 | 12-20-1218 | Service Nameplate (Not Shown) | (1) |
| 4 | 10-20-1297 | Icon Label (Not Shown) | (1) |

FIG. NOTES
 3, 4 A clean, dry surface is essential for proper performance for any adhesive system. The area intended for application of any adhesive label or nameplate must be prepared by cleaning with isopropyl alcohol. The solvent is to be applied with a clean, lint free applicator and the surface allowed to dry before applying the label or nameplate.