



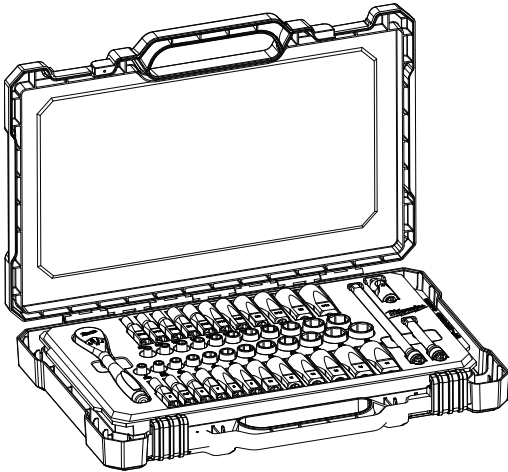
# SERVICE PARTS LIST

**BULLETIN NO.**  
**54-49-9007**

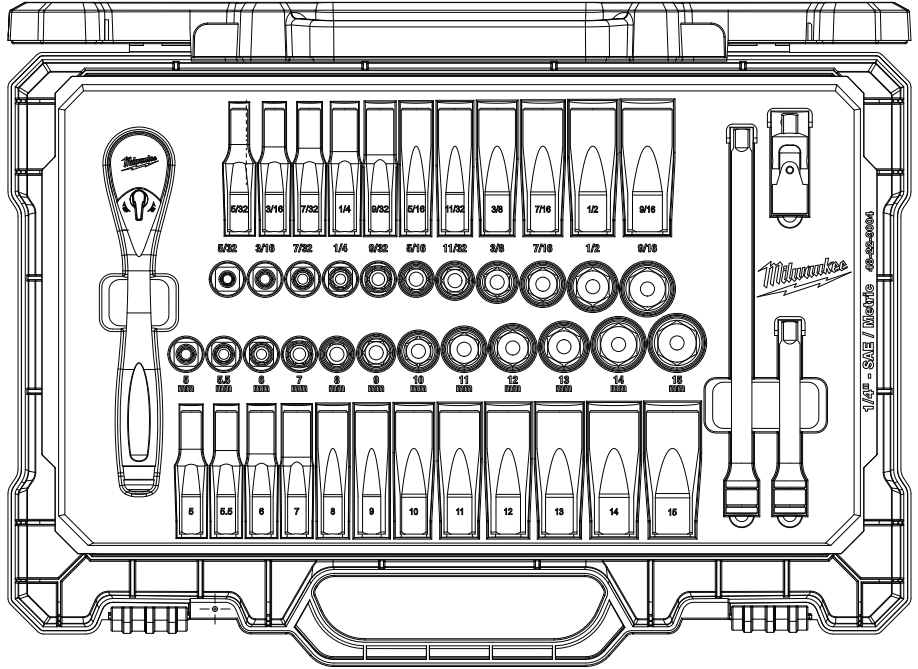
SPECIFY CATALOG NO. AND SERIAL NO. WHEN ORDERING PARTS		REVISED BULLETIN	DATE
<b>1/4" and 3/8" SAE and METRIC SOCKET SETS</b>			Feb. 2018
<b>CAT. NO.</b>	<b>48-22-9004</b>	<b>1/4" SAE and Metric 50 pc. Combo Socket Set</b>	Page 1
	<b>48-22-9008</b>	<b>3/8" SAE and Metric 56 pc. Combo Socket Set</b>	Page 2
	<b>48-22-9404</b>	<b>1/4" SAE 26 pc. Socket Set</b>	Page 3
	<b>48-22-9408</b>	<b>3/8" SAE 28 pc. Socket Set</b>	Page 4
	<b>48-22-9504</b>	<b>1/4" Metric 28 pc. Socket Set</b>	Page 5
	<b>48-22-9508</b>	<b>3/8" Metric 32 pc. Socket Set</b>	Page 6

00 0

**EXAMPLE:**  
Component Parts (Small #)  
Are Included When Ordering  
The Assembly (Large #).



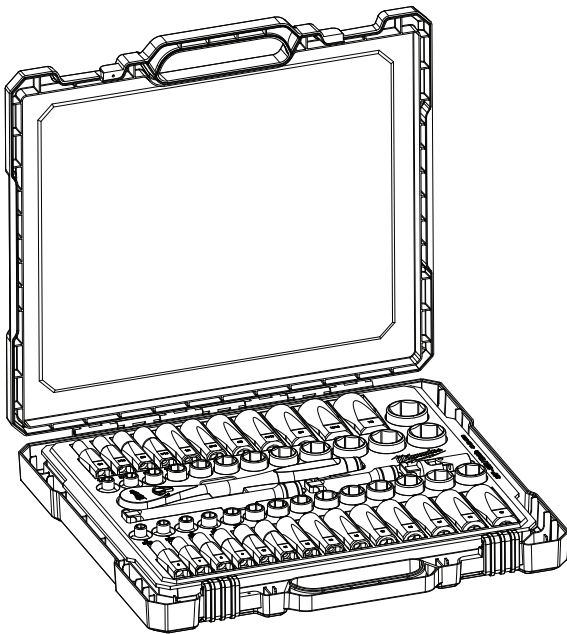
**Catalog No. 48-22-9004**  
**1/4" SAE and Metric**  
**50 piece Combo Socket Set**



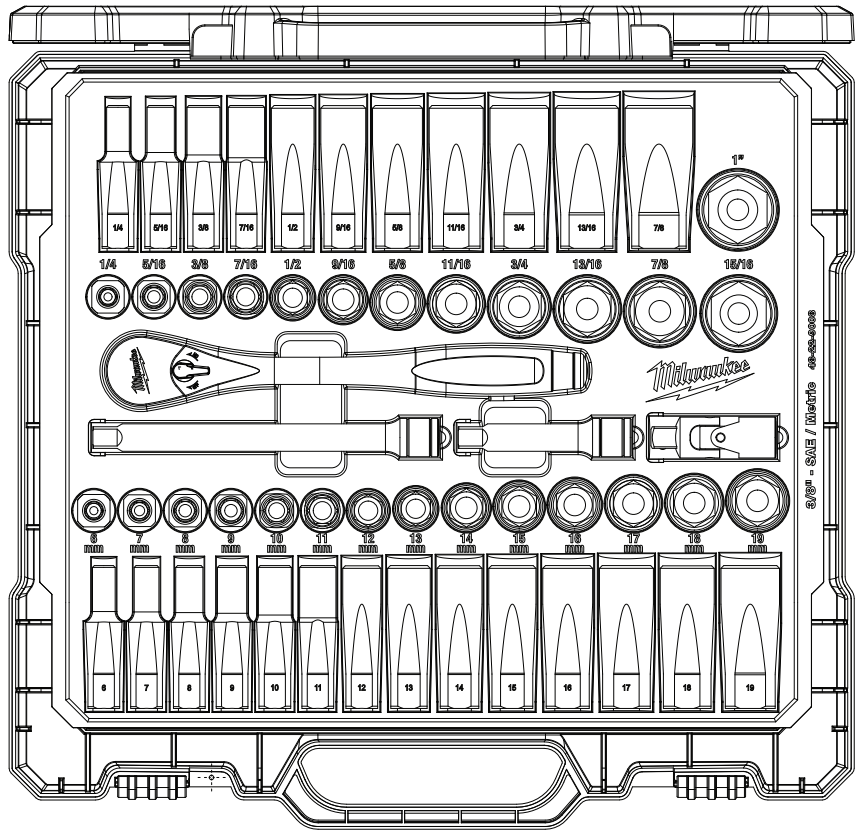
PART NO.	DRIVE SIZE	SOCKET/PART DESCRIPTION
45-34-9000	1/4" Drive Socket	SAE Standard 5/32"
45-34-9001	1/4" Drive Socket	SAE Standard 3/16"
45-34-9002	1/4" Drive Socket	SAE Standard 7/32"
45-34-9003	1/4" Drive Socket	SAE Standard 1/4"
45-34-9004	1/4" Drive Socket	SAE Standard 9/32"
45-34-9005	1/4" Drive Socket	SAE Standard 5/16"
45-34-9006	1/4" Drive Socket	SAE Standard 11/32"
45-34-9007	1/4" Drive Socket	SAE Standard 3/8"
45-34-9008	1/4" Drive Socket	SAE Standard 7/16"
45-34-9009	1/4" Drive Socket	SAE Standard 1/2"
45-34-9010	1/4" Drive Socket	SAE Standard 9/16"
45-34-9011	1/4" Drive Socket	SAE Deep 5/32"
45-34-9012	1/4" Drive Socket	SAE Deep 3/16"
45-34-9013	1/4" Drive Socket	SAE Deep 7/32"
45-34-9014	1/4" Drive Socket	SAE Deep 1/4"
45-34-9015	1/4" Drive Socket	SAE Deep 9/32"
45-34-9016	1/4" Drive Socket	SAE Deep 5/16"
45-34-9017	1/4" Drive Socket	SAE Deep 11/32"
45-34-9018	1/4" Drive Socket	SAE Deep 3/8"
45-34-9019	1/4" Drive Socket	SAE Deep 7/16"
45-34-9020	1/4" Drive Socket	SAE Deep 1/2"
45-34-9021	1/4" Drive Socket	SAE Deep 9/16"
43-24-9100	1/4" Drive Socket	3" Extension Bar
43-24-9101	1/4" Drive Socket	6" Extension Bar
42-04-9102	1/4" Drive Socket	Universal Joint
48-22-9014	1/4" Drive Socket	Socket Ratchet Wrench

PART NO.	DRIVE SIZE	SOCKET/PART DESCRIPTION
45-34-9030	1/4" Drive Socket	Metric Standard 5MM
45-34-9031	1/4" Drive Socket	Metric Standard 5.5MM
45-34-9032	1/4" Drive Socket	Metric Standard 6MM
45-34-9033	1/4" Drive Socket	Metric Standard 7MM
45-34-9034	1/4" Drive Socket	Metric Standard 8MM
45-34-9035	1/4" Drive Socket	Metric Standard 9MM
45-34-9036	1/4" Drive Socket	Metric Standard 10MM
45-34-9037	1/4" Drive Socket	Metric Standard 11MM
45-34-9038	1/4" Drive Socket	Metric Standard 12MM
45-34-9039	1/4" Drive Socket	Metric Standard 13MM
45-34-9040	1/4" Drive Socket	Metric Standard 14MM
45-34-9041	1/4" Drive Socket	Metric Standard 15MM
45-34-9042	1/4" Drive Socket	Metric Deep 5MM
45-34-9043	1/4" Drive Socket	Metric Deep 5.5MM
45-34-9044	1/4" Drive Socket	Metric Deep 6MM
45-34-9045	1/4" Drive Socket	Metric Deep 7MM
45-34-9046	1/4" Drive Socket	Metric Deep 8MM
45-34-9047	1/4" Drive Socket	Metric Deep 9MM
45-34-9048	1/4" Drive Socket	Metric Deep 10MM
45-34-9049	1/4" Drive Socket	Metric Deep 11MM
45-34-9050	1/4" Drive Socket	Metric Deep 12MM
45-34-9051	1/4" Drive Socket	Metric Deep 13MM
45-34-9052	1/4" Drive Socket	Metric Deep 14MM
45-34-9053	1/4" Drive Socket	Metric Deep 15MM

42-55-9100 SAE/Metric Carrying Case-Middle  
44-20-0035 Carrying Case Latch  
31-01-9100 1/4" 50 Pc. SAE/Metric Tool Tray  
14-46-1125 1/4" Socket Drive Replacement Kit  
(See Page 7)

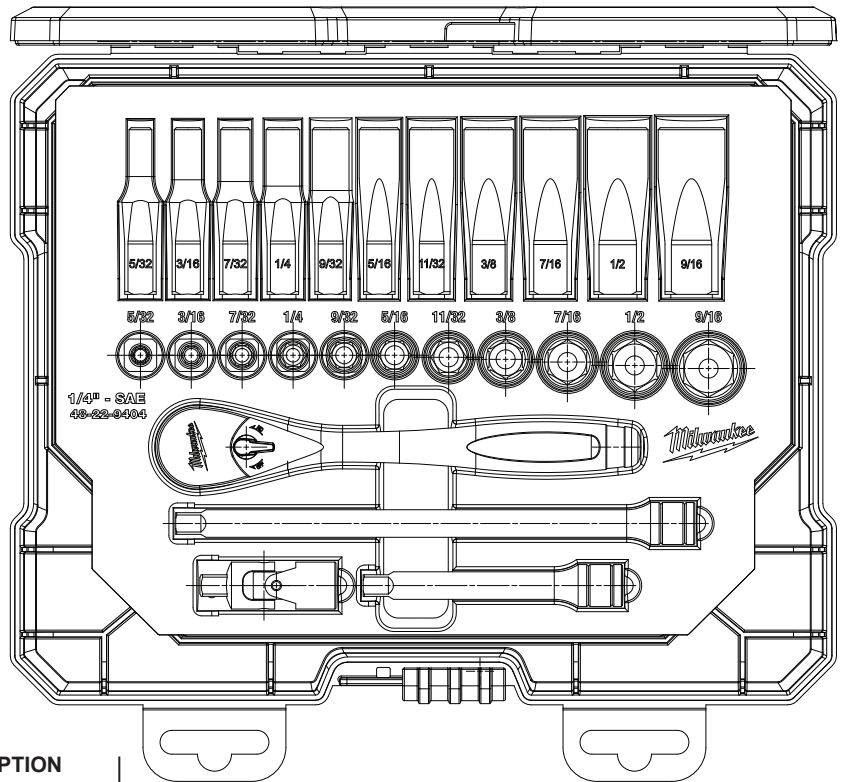
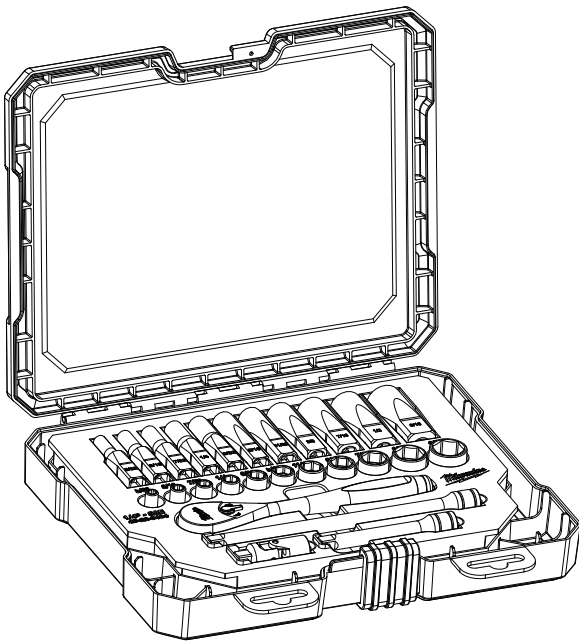


**Catalog No. 48-22-9008**  
**3/8" SAE and Metric**  
**56 piece Combo Socket Set**



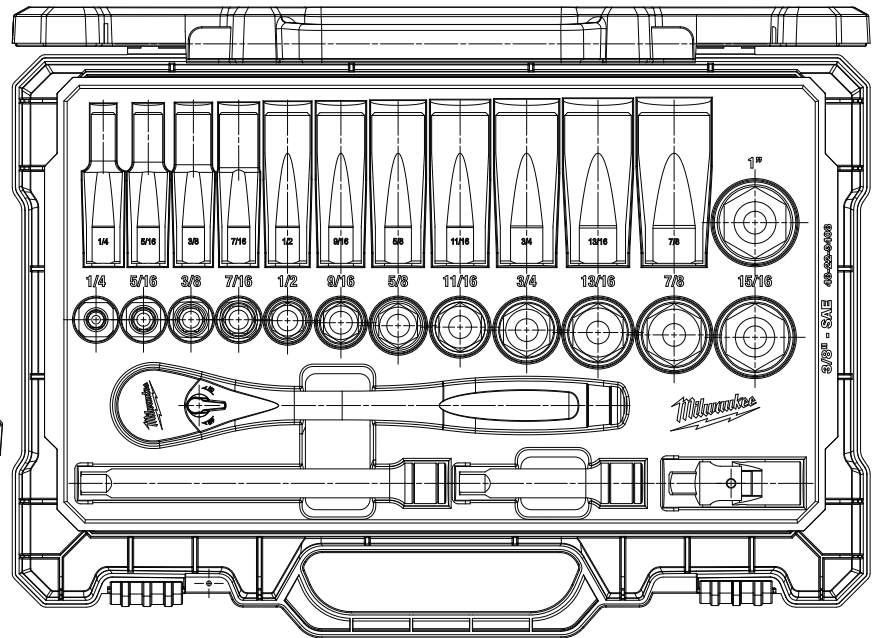
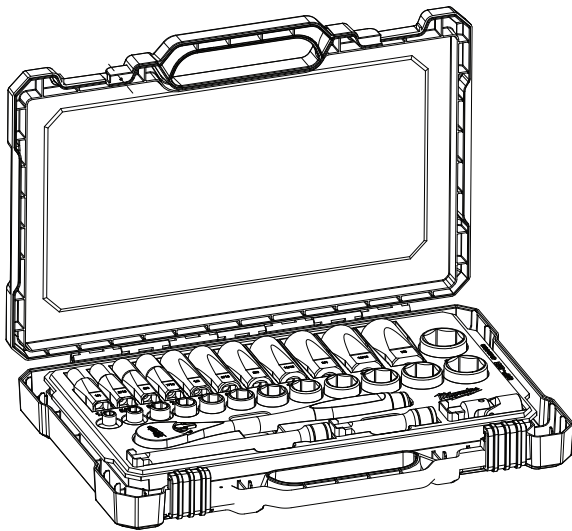
PART NO.	DRIVE SIZE	SOCKET/PART DESCRIPTION
45-34-9060	3/8" Drive Socket	SAE Standard 1/4"
45-34-9061	3/8" Drive Socket	SAE Standard 5/16"
45-34-9062	3/8" Drive Socket	SAE Standard 3/8"
45-34-9063	3/8" Drive Socket	SAE Standard 7/16"
45-34-9064	3/8" Drive Socket	SAE Standard 1/2"
45-34-9065	3/8" Drive Socket	SAE Standard 9/16"
45-34-9066	3/8" Drive Socket	SAE Standard 5/8"
45-34-9067	3/8" Drive Socket	SAE Standard 11/16"
45-34-9068	3/8" Drive Socket	SAE Standard 3/4"
45-34-9069	3/8" Drive Socket	SAE Standard 13/16"
45-34-9070	3/8" Drive Socket	SAE Standard 7/8"
45-34-9071	3/8" Drive Socket	SAE Standard 15/16"
45-34-9072	3/8" Drive Socket	SAE Standard 1"
45-34-9073	3/8" Drive Socket	SAE Deep 1/4"
45-34-3125	3/8" Drive Socket	SAE Deep 5/16"
45-34-3750	3/8" Drive Socket	SAE Deep 3/8"
45-34-4375	3/8" Drive Socket	SAE Deep 7/16"
45-35-5000	3/8" Drive Socket	SAE Deep 1/2"
45-34-5625	3/8" Drive Socket	SAE Deep 9/16"
45-34-6250	3/8" Drive Socket	SAE Deep 5/8"
45-34-6875	3/8" Drive Socket	SAE Deep 11/16"
45-34-7500	3/8" Drive Socket	SAE Deep 3/4"
45-34-9074	3/8" Drive Socket	SAE Deep 13/16"
45-34-9075	3/8" Drive Socket	SAE Deep 7/8"
43-24-9102	3/8" Drive Socket	3" Extension Bar
43-24-0006	3/8" Drive Socket	6" Extension Bar
42-04-9103	3/8" Drive Socket	Universal Joint
48-22-9038	3/8" Drive Socket	Socket Ratchet Wrench
42-55-9101		SAE/Metric Carrying Case-Large
44-20-0035		Carrying Case Latch
31-01-9101		3/8" 56 Pc. SAE/Metric Tool Tray
14-46-1137		3/8" Socket Drive Replacement Kit (See Page 7)

PART NO.	DRIVE SIZE	SOCKET/PART DESCRIPTION
45-34-9076	3/8" Drive Socket	Metric Standard 6MM
45-34-9077	3/8" Drive Socket	Metric Standard 7MM
45-34-9078	3/8" Drive Socket	Metric Standard 8MM
45-34-9079	3/8" Drive Socket	Metric Standard 9MM
45-34-9080	3/8" Drive Socket	Metric Standard 10MM
45-34-9081	3/8" Drive Socket	Metric Standard 11MM
45-34-9082	3/8" Drive Socket	Metric Standard 12MM
45-34-9083	3/8" Drive Socket	Metric Standard 13MM
45-34-9084	3/8" Drive Socket	Metric Standard 14MM
45-34-9085	3/8" Drive Socket	Metric Standard 15MM
45-34-9086	3/8" Drive Socket	Metric Standard 16MM
45-34-9087	3/8" Drive Socket	Metric Standard 17MM
45-34-9088	3/8" Drive Socket	Metric Standard 18MM
45-34-9089	3/8" Drive Socket	Metric Standard 19MM
45-34-9090	3/8" Drive Socket	Metric Deep 6MM
45-34-9091	3/8" Drive Socket	Metric Deep 7MM
45-34-9092	3/8" Drive Socket	Metric Deep 8MM
45-34-9093	3/8" Drive Socket	Metric Deep 9MM
45-34-0010	3/8" Drive Socket	Metric Deep 10MM
45-34-9094	3/8" Drive Socket	Metric Deep 11MM
45-34-0012	3/8" Drive Socket	Metric Deep 12MM
45-34-0013	3/8" Drive Socket	Metric Deep 13MM
45-34-0014	3/8" Drive Socket	Metric Deep 14MM
45-34-0015	3/8" Drive Socket	Metric Deep 15MM
45-34-9095	3/8" Drive Socket	Metric Deep 16MM
45-34-0117	3/8" Drive Socket	Metric Deep 17MM
45-34-0118	3/8" Drive Socket	Metric Deep 18MM
45-34-0119	3/8" Drive Socket	Metric Deep 19MM



**Catalog No. 48-22-9404**  
**1/4" SAE 26 piece Socket Set**

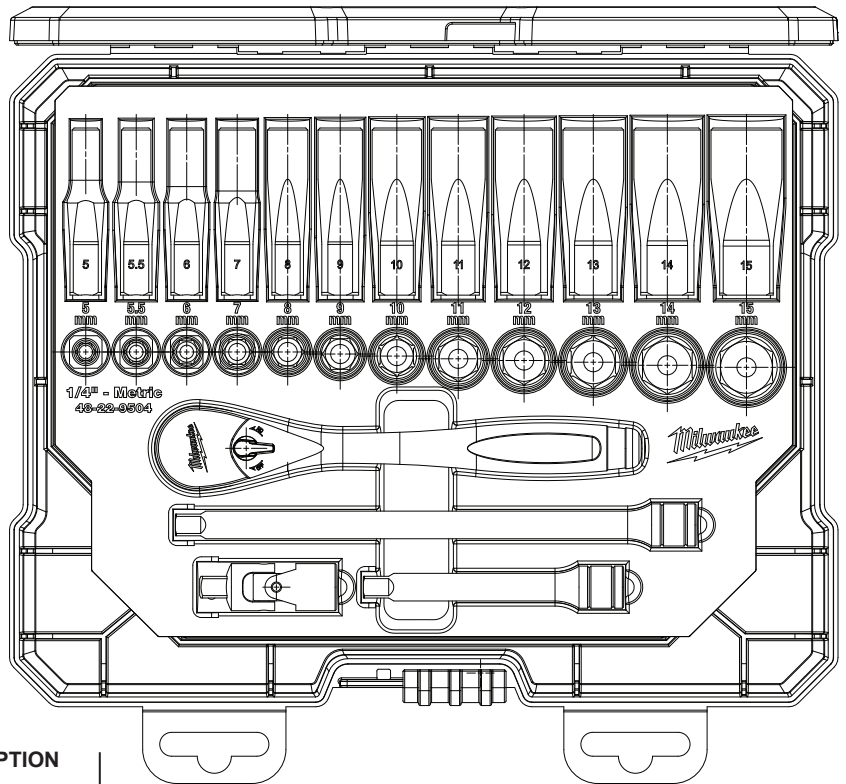
PART NO.	DRIVE SIZE	SOCKET/PART DESCRIPTION
45-34-9000	1/4" Drive Socket	SAE Standard 5/32"
45-34-9001	1/4" Drive Socket	SAE Standard 3/16"
45-34-9002	1/4" Drive Socket	SAE Standard 7/32"
45-34-9003	1/4" Drive Socket	SAE Standard 1/4"
45-34-9004	1/4" Drive Socket	SAE Standard 9/32"
45-34-9005	1/4" Drive Socket	SAE Standard 5/16"
45-34-9006	1/4" Drive Socket	SAE Standard 11/32"
45-34-9007	1/4" Drive Socket	SAE Standard 3/8"
45-34-9008	1/4" Drive Socket	SAE Standard 7/16"
45-34-9009	1/4" Drive Socket	SAE Standard 1/2"
45-34-9010	1/4" Drive Socket	SAE Standard 9/16"
45-34-9011	1/4" Drive Socket	SAE Deep 5/32"
45-34-9012	1/4" Drive Socket	SAE Deep 3/16"
45-34-9013	1/4" Drive Socket	SAE Deep 7/32"
45-34-9014	1/4" Drive Socket	SAE Deep 1/4"
45-34-9015	1/4" Drive Socket	SAE Deep 9/32"
45-34-9016	1/4" Drive Socket	SAE Deep 5/16"
45-34-9017	1/4" Drive Socket	SAE Deep 11/32"
45-34-9018	1/4" Drive Socket	SAE Deep 3/8"
45-34-9019	1/4" Drive Socket	SAE Deep 7/16"
45-34-9020	1/4" Drive Socket	SAE Deep 1/2"
45-34-9021	1/4" Drive Socket	SAE Deep 9/16"
43-24-9100	1/4" Drive Socket	3" Extension Bar
43-24-9101	1/4" Drive Socket	6" Extension Bar
42-04-9102	1/4" Drive Socket	Universal Joint
48-22-9014	1/4" Drive Socket	Socket Ratchet Wrench
42-55-9102		SAE/Metric Carrying Case-Small
44-20-0035		Carrying Case Latch
31-01-9102		1/4" 26 Pc. SAE Tool Tray
14-46-1125		1/4" Socket Drive Replacement Kit (See Page 7)



**Catalog No. 48-22-9408**  
**3/8" SAE 28 piece Socket Set**

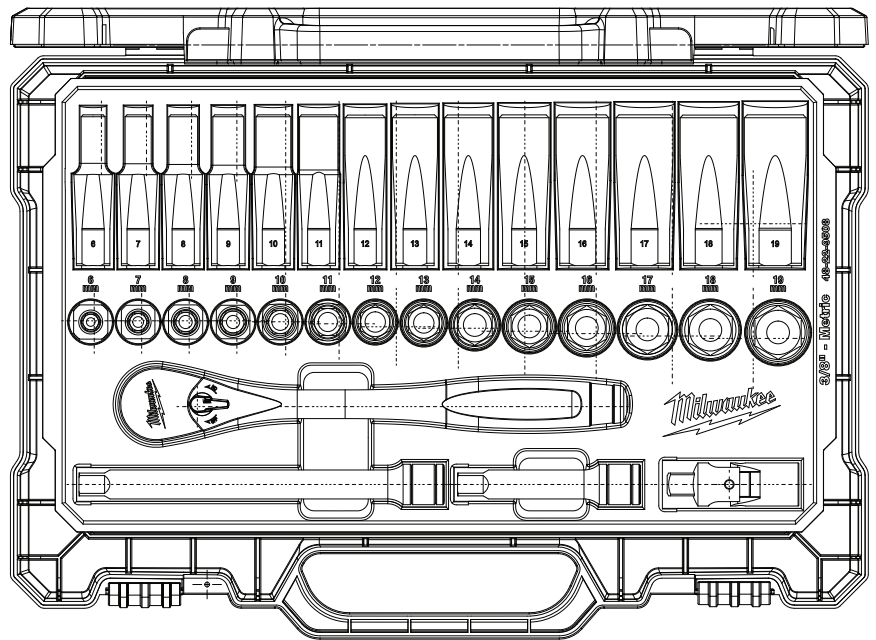
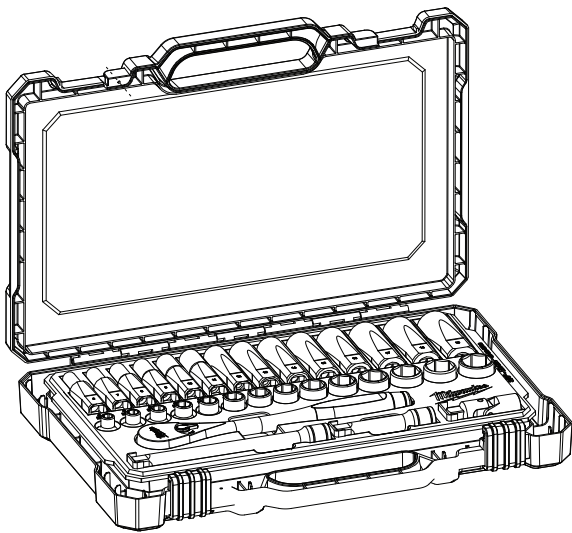
PART NO.	DRIVE SIZE	SOCKET/PART DESCRIPTION
45-34-9060	3/8" Drive Socket	SAE Standard 1/4"
45-34-9061	3/8" Drive Socket	SAE Standard 5/16"
45-34-9062	3/8" Drive Socket	SAE Standard 3/8"
45-34-9063	3/8" Drive Socket	SAE Standard 7/16"
45-34-9064	3/8" Drive Socket	SAE Standard 1/2"
45-34-9065	3/8" Drive Socket	SAE Standard 9/16"
45-34-9066	3/8" Drive Socket	SAE Standard 5/8"
45-34-9067	3/8" Drive Socket	SAE Standard 11/16"
45-34-9068	3/8" Drive Socket	SAE Standard 3/4"
45-34-9069	3/8" Drive Socket	SAE Standard 13/16"
45-34-9070	3/8" Drive Socket	SAE Standard 7/8"
45-34-9071	3/8" Drive Socket	SAE Standard 15/16"
45-34-9072	3/8" Drive Socket	SAE Standard 1"
45-34-9073	3/8" Drive Socket	SAE Deep 1/4"
45-34-3125	3/8" Drive Socket	SAE Deep 5/16"
45-34-3750	3/8" Drive Socket	SAE Deep 3/8"
45-34-4375	3/8" Drive Socket	SAE Deep 7/16"
45-35-5000	3/8" Drive Socket	SAE Deep 1/2"
45-34-5625	3/8" Drive Socket	SAE Deep 9/16"
45-34-6250	3/8" Drive Socket	SAE Deep 5/8"
45-34-6875	3/8" Drive Socket	SAE Deep 11/16"
45-34-7500	3/8" Drive Socket	SAE Deep 3/4"
45-34-9074	3/8" Drive Socket	SAE Deep 13/16"
45-34-9075	3/8" Drive Socket	SAE Deep 7/8"
43-24-9102	3/8" Drive Socket	3" Extension Bar
43-24-0006	3/8" Drive Socket	6" Extension Bar
42-04-9103	3/8" Drive Socket	Universal Joint
48-22-9038	3/8" Drive Socket	Socket Ratchet Wrench
42-55-9100		SAE/Metric Carrying Case-Middle
44-20-0035		Carrying Case Latch
31-01-9103		3/8" 28 Pc. SAE Tool Tray
14-46-1137		3/8" Socket Drive Replacement Kit (See Page 7)





**Catalog No. 48-22-9504**  
**1/4" Metric 28 piece Socket Set**

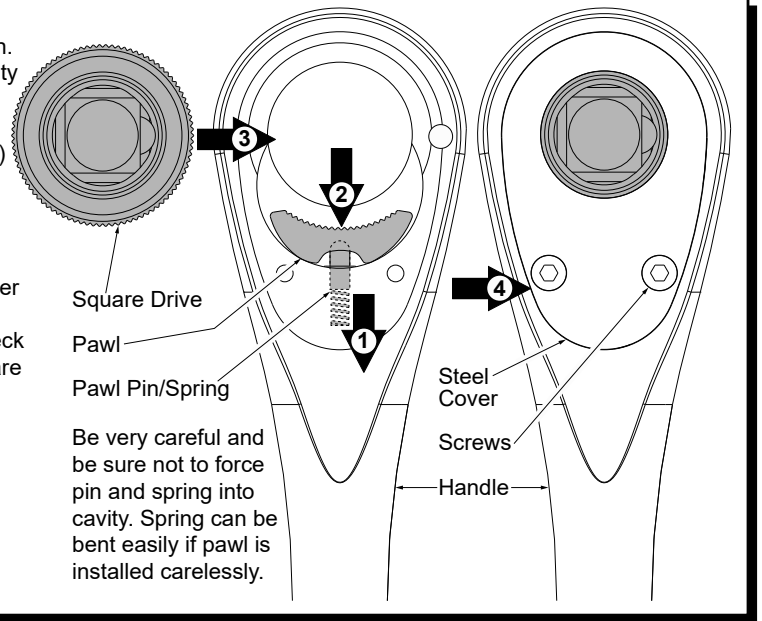
PART NO.	DRIVE SIZE	SOCKET/PART DESCRIPTION
45-34-9030	1/4" Drive Socket	Metric Standard 5MM
45-34-9031	1/4" Drive Socket	Metric Standard 5.5MM
45-34-9032	1/4" Drive Socket	Metric Standard 6MM
45-34-9033	1/4" Drive Socket	Metric Standard 7MM
45-34-9034	1/4" Drive Socket	Metric Standard 8MM
45-34-9035	1/4" Drive Socket	Metric Standard 9MM
45-34-9036	1/4" Drive Socket	Metric Standard 10MM
45-34-9037	1/4" Drive Socket	Metric Standard 11MM
45-34-9038	1/4" Drive Socket	Metric Standard 12MM
45-34-9039	1/4" Drive Socket	Metric Standard 13MM
45-34-9040	1/4" Drive Socket	Metric Standard 14MM
45-34-9041	1/4" Drive Socket	Metric Standard 15MM
45-34-9042	1/4" Drive Socket	Metric Deep 5MM
45-34-9043	1/4" Drive Socket	Metric Deep 5.5MM
45-34-9044	1/4" Drive Socket	Metric Deep 6MM
45-34-9045	1/4" Drive Socket	Metric Deep 7MM
45-34-9046	1/4" Drive Socket	Metric Deep 8MM
45-34-9047	1/4" Drive Socket	Metric Deep 9MM
45-34-9048	1/4" Drive Socket	Metric Deep 10MM
45-34-9049	1/4" Drive Socket	Metric Deep 11MM
45-34-9050	1/4" Drive Socket	Metric Deep 12MM
45-34-9051	1/4" Drive Socket	Metric Deep 13MM
45-34-9052	1/4" Drive Socket	Metric Deep 14MM
45-34-9053	1/4" Drive Socket	Metric Deep 15MM
43-24-9100	1/4" Drive Socket	3" Extension Bar
43-24-9101	1/4" Drive Socket	6" Extension Bar
42-04-9102	1/4" Drive Socket	Universal Joint
48-22-9014	1/4" Drive Socket	Socket Ratchet Wrench
42-55-9102		SAE/Metric Carrying Case-Small
44-20-0035		Carrying Case Latch
31-01-9104		1/4" 28 Pc. Metric Tool Tray
14-46-1125		1/4" Socket Drive Replacement Kit (See Page 7)



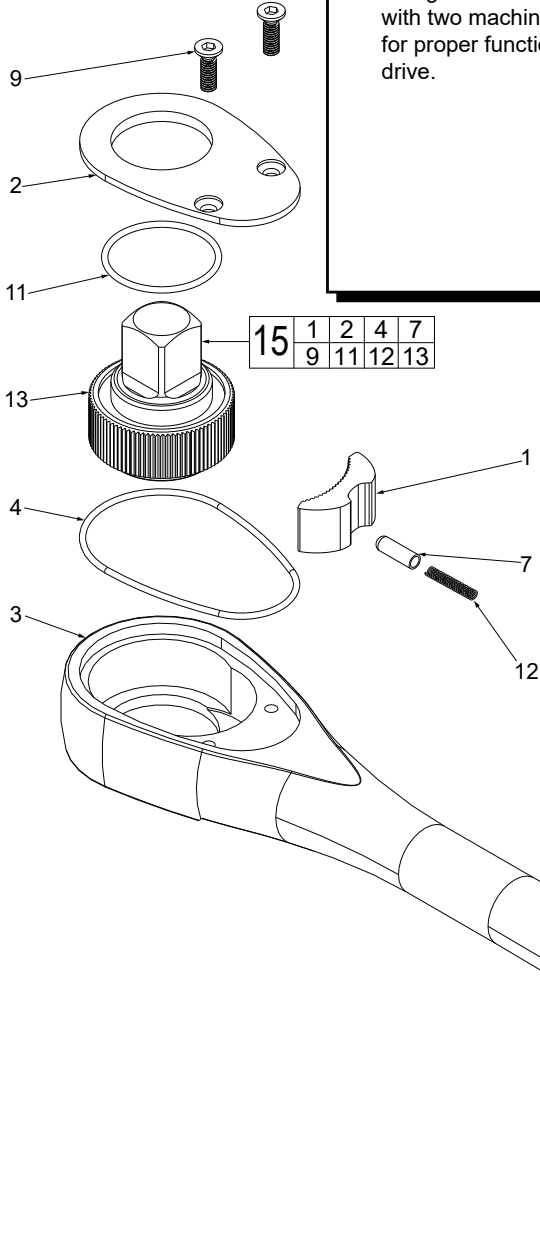
**Catalog No. 48-22-9508**  
**3/8" Metric 32 piece Socket Set**

PART NO.	DRIVE SIZE	SOCKET/PART DESCRIPTION
45-34-9076	3/8" Drive Socket	Metric Standard 6MM
45-34-9077	3/8" Drive Socket	Metric Standard 7MM
45-34-9078	3/8" Drive Socket	Metric Standard 8MM
45-34-9079	3/8" Drive Socket	Metric Standard 9MM
45-34-9080	3/8" Drive Socket	Metric Standard 10MM
45-34-9081	3/8" Drive Socket	Metric Standard 11MM
45-34-9082	3/8" Drive Socket	Metric Standard 12MM
45-34-9083	3/8" Drive Socket	Metric Standard 13MM
45-34-9084	3/8" Drive Socket	Metric Standard 14MM
45-34-9085	3/8" Drive Socket	Metric Standard 15MM
45-34-9086	3/8" Drive Socket	Metric Standard 16MM
45-34-9087	3/8" Drive Socket	Metric Standard 17MM
45-34-9088	3/8" Drive Socket	Metric Standard 18MM
45-34-9089	3/8" Drive Socket	Metric Standard 19MM
45-34-9090	3/8" Drive Socket	Metric Deep 6MM
45-34-9091	3/8" Drive Socket	Metric Deep 7MM
45-34-9092	3/8" Drive Socket	Metric Deep 8MM
45-34-9093	3/8" Drive Socket	Metric Deep 9MM
45-34-0010	3/8" Drive Socket	Metric Deep 10MM
45-34-9094	3/8" Drive Socket	Metric Deep 11MM
45-34-0012	3/8" Drive Socket	Metric Deep 12MM
45-34-0013	3/8" Drive Socket	Metric Deep 13MM
45-34-0014	3/8" Drive Socket	Metric Deep 14MM
45-34-0015	3/8" Drive Socket	Metric Deep 15MM
45-34-9095	3/8" Drive Socket	Metric Deep 16MM
45-34-0117	3/8" Drive Socket	Metric Deep 17MM
45-34-0118	3/8" Drive Socket	Metric Deep 18MM
45-34-0119	3/8" Drive Socket	Metric Deep 19MM
43-24-9102	3/8" Drive Socket	3" Extension Bar
43-24-0006	3/8" Drive Socket	6" Extension Bar
42-04-9103	3/8" Drive Socket	Universal Joint
48-22-9038	3/8" Drive Socket	Socket Ratchet Wrench
42-55-9100		SAE/Metric Carrying Case-Middle
44-20-0035		Carrying Case Latch
31-01-9105		3/8" 32 Pc. Metric Tool Tray
14-46-1137		3/8" Socket Drive Replacement Kit (See Page 7)

1. Place pawl spring into pawl pin. Insert pawl spring/pin into cavity of handle.
2. **Carefully** depress spring/pin (being sure not to bend spring) and install pawl as shown.
3. Place pressure on pawl to maintain spring compression and install the square drive.
4. Install square drive o-ring, cover o-ring and steel cover. Secure with two machine screws. Check for proper functionality of square drive.



Be very careful and be sure not to force pin and spring into cavity. Spring can be bent easily if pawl is installed carelessly.



**1/4" Socket Drive Replacement Kit No. 14-46-1125**

FIG.	PART NO.	DESCRIPTION OF PART	NO. REQ.
1	-----	1/4" Pawl	(1)
2	-----	1/4" Steel Cover	(1)
3	-----	1/4" Handle	(1)
4	-----	O-Ring for 1/4" Cover	(1)
7	-----	1/4" Pawl Pin	(1)
9	-----	Screw	(2)
11	-----	O-Ring for 1/4" Square Drive	(1)
12	-----	Spring for 1/4" Pawl	(1)
13	-----	1/4" Square Drive	(1)
15	14-46-1125	1/4" Socket Drive Replacement Kit	(1)
	58-22-1137	Instruction Sheet	(1)

No. 48-22-9038 3/8" Socket Ratchet Wrench Shown

**3/8" Socket Drive Replacement Kit No. 14-46-1137**

FIG.	PART NO.	DESCRIPTION OF PART	NO. REQ.
1	-----	3/8" Pawl	(1)
2	-----	3/8" Steel Cover	(1)
3	-----	3/8" Handle	(1)
4	-----	O-Ring for 3/8" Cover	(1)
7	-----	3/8" Pawl Pin	(1)
9	-----	Screw	(2)
11	-----	O-Ring for 3/8" Square Drive	(1)
12	-----	Spring for 3/8" Pawl	(1)
13	-----	3/8" Square Drive	(1)
15	14-46-1137	3/8" Ratchet Service Kit	(1)
	58-22-1137	Instruction Sheet	(1)