

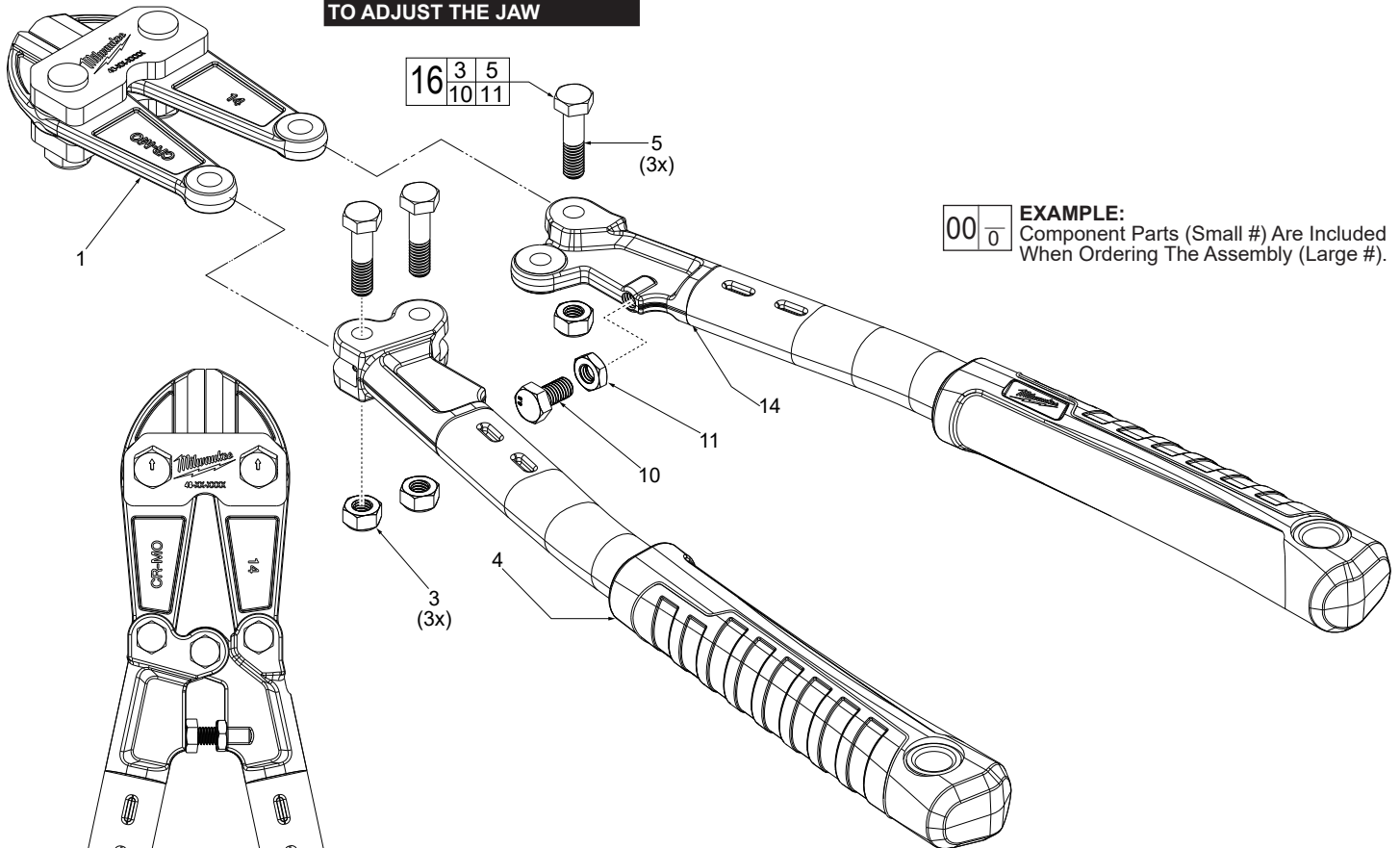


SERVICE PARTS LIST

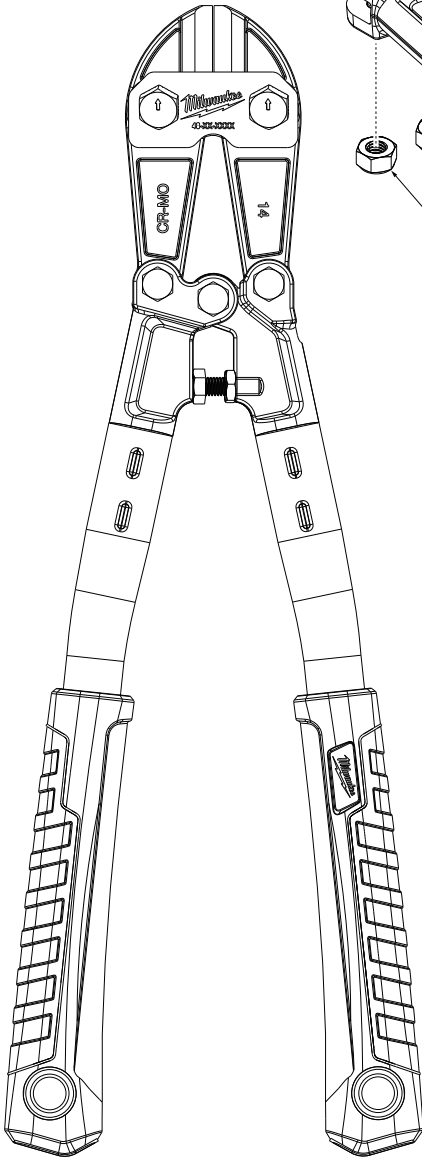
BULLETIN NO.
54-49-1605

SPECIFY CATALOG NO. AND SERIAL NO. WHEN ORDERING PARTS				REVISED BULLETIN	DATE
BOLT CUTTERS					Sept. 2021
CATALOG NO.					
48-22-4014	14" Standard Bolt Cutter	Page 1	48-22-4114	14" Premium Bolt Cutter	Page 5
48-22-4018	18" Standard Bolt Cutter	Page 2	48-22-4124	24" Premium Bolt Cutter	Page 6
48-22-4024	24" Standard Bolt Cutter	Page 3	48-22-4218	18" Non-Conductive Bolt Cutter	Page 7
48-22-4031	30" Standard Bolt Cutter	Page 4	48-22-4224	24" Non-Conductive Bolt Cutter	Page 8

SEE PAGE 9 FOR PROCEDURE TO ADJUST THE JAW



EXAMPLE:
Component Parts (Small #) Are Included When Ordering The Assembly (Large #).



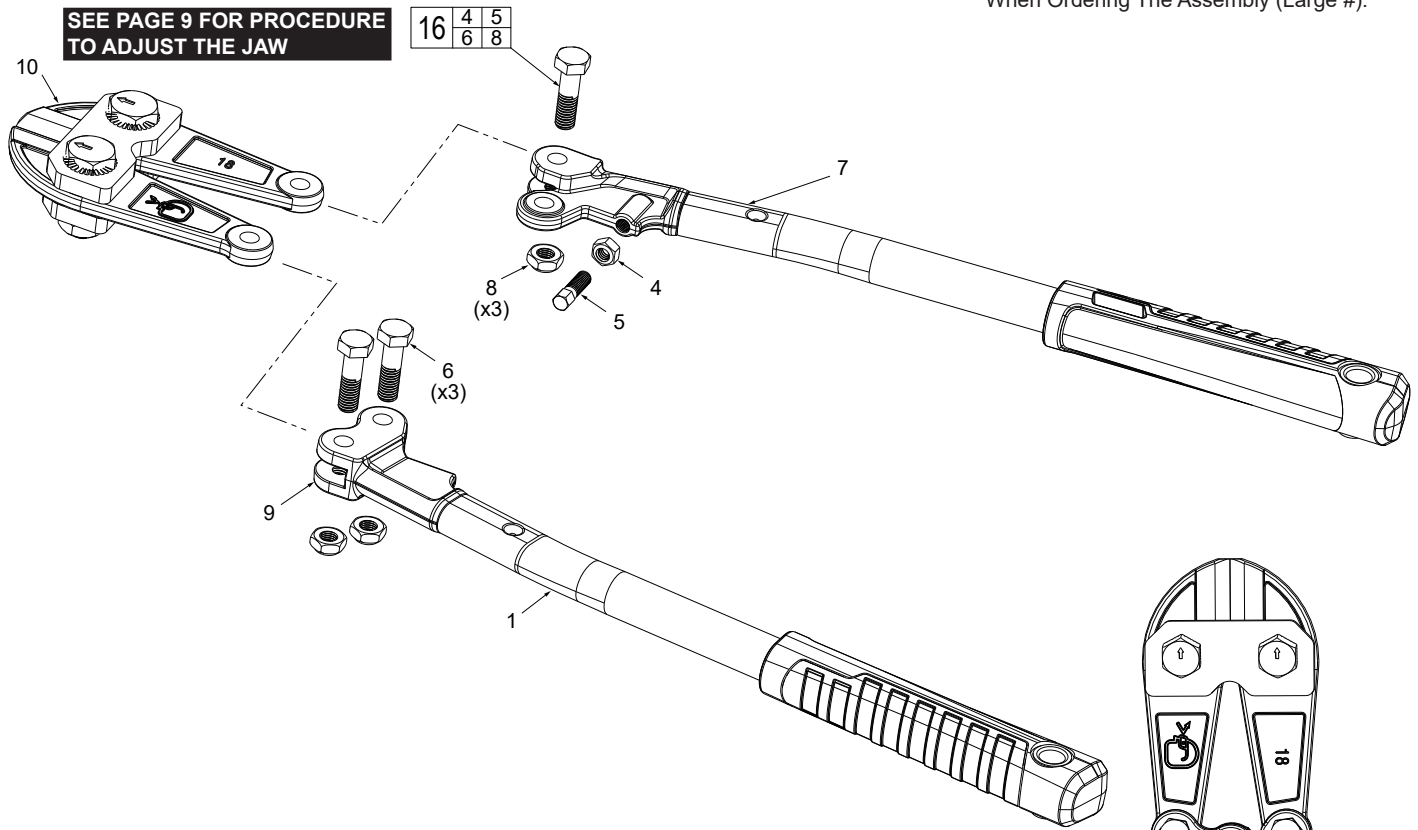
14" Standard Bolt Cutter No. 48-22-4014

FIG.	PART NO.	DESCRIPTION OF PART	NO. REQ.
1	48-38-0014	14" Cutter Blade Assembly	(1)
3	-----	Hex Nut	(3)
4	-----	14" Handle Assembly-Left	(1)
5	-----	Hinge Bolt	(3)
10	-----	Adjustment Bolt	(1)
11	-----	Adjustment Hex Nut	(1)
14	-----	14" Handle Assembly-Right	(1)
16	14-46-2135	Hardware Kit	(1)

00 0

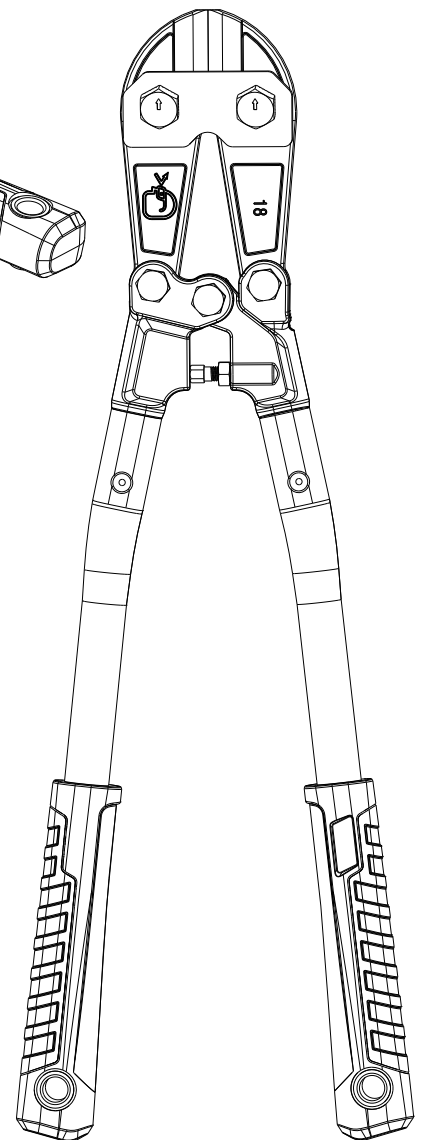
EXAMPLE:
Component Parts (Small #) Are Included
When Ordering The Assembly (Large #).

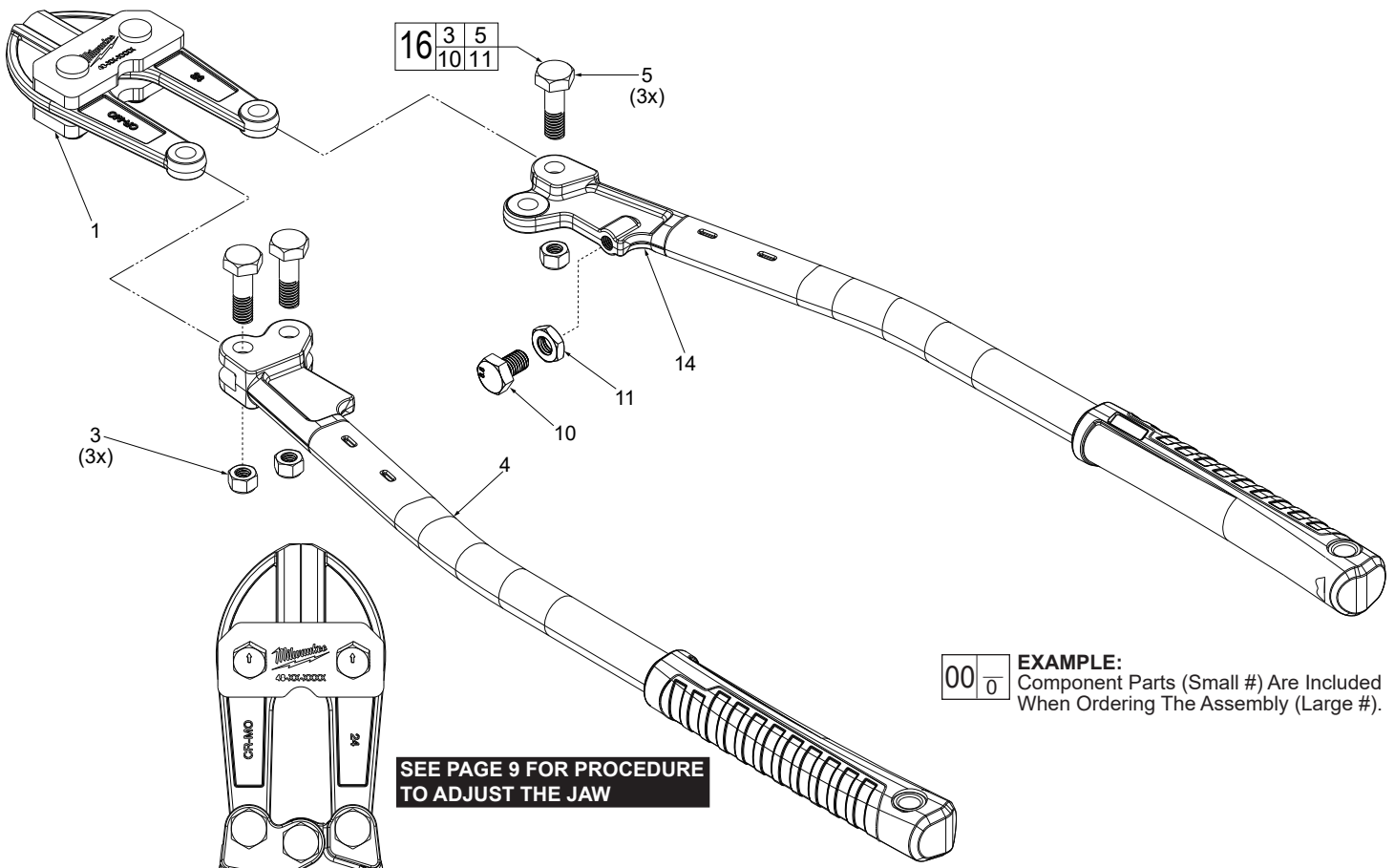
**SEE PAGE 9 FOR PROCEDURE
TO ADJUST THE JAW**



18" Standard Bolt Cutter No. 48-22-4018

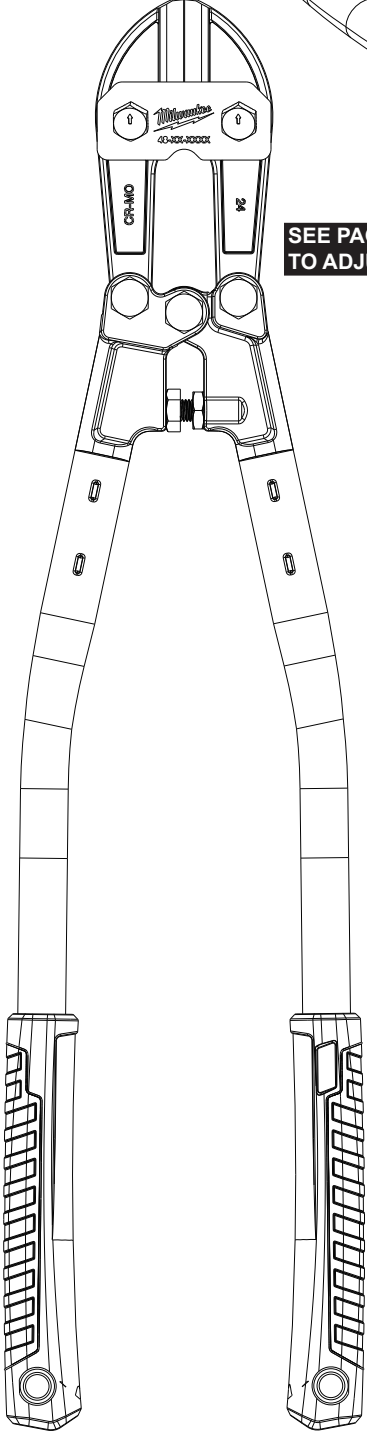
FIG.	PART NO.	DESCRIPTION OF PART	NO. REQ.
1	-----	Handle Assembly	(2)
4	-----	Adjustment Hex Nut	(1)
5	-----	Adjustment Bolt	(1)
6	-----	Hinge Bolt	(3)
7	-----	Right Bolt Cutter Pivot Assembly	(1)
8	-----	Lock Nut	(3)
9	-----	Left Bolt Cutter Pivot Assembly	(1)
10	48-38-0018	18" Cutter Blade Assembly	(1)
16	14-46-2139	Hardware Kit	(1)





EXAMPLE:
 Component Parts (Small #) Are Included
 When Ordering The Assembly (Large #).

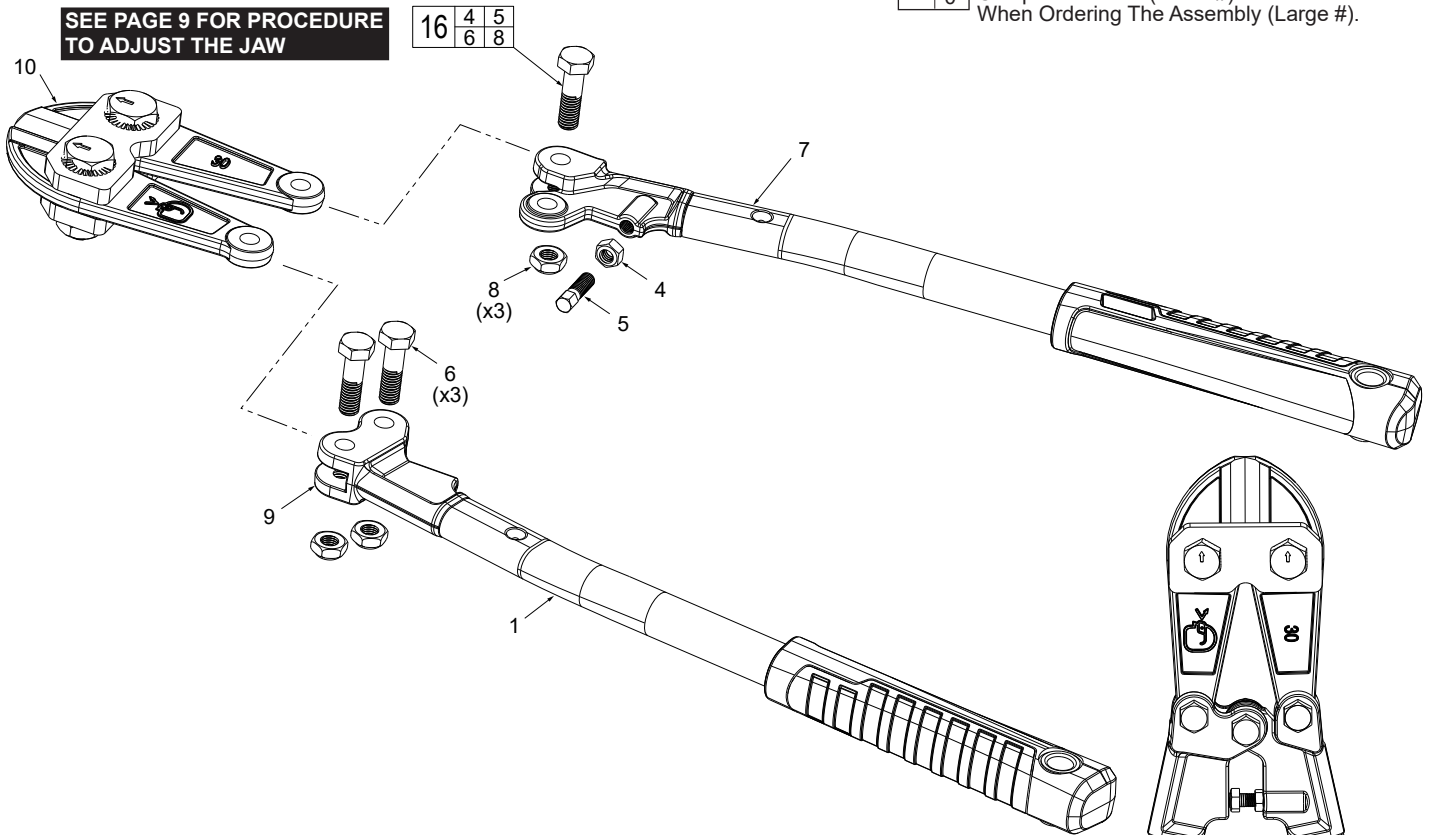
**SEE PAGE 9 FOR PROCEDURE
 TO ADJUST THE JAW**



24" Standard Bolt Cutter No. 48-22-4024

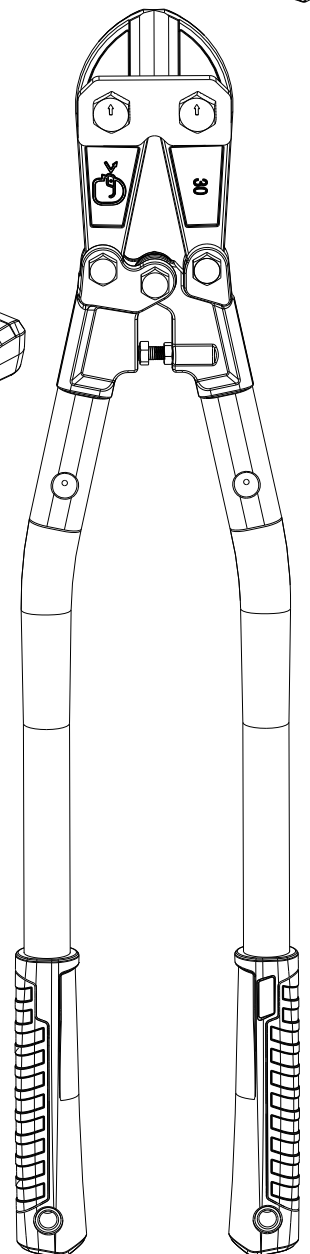
FIG.	PART NO.	DESCRIPTION OF PART	NO. REQ.
1	48-38-0024	24" Cutter Blade Assembly	(1)
3	-----	Hex Nut	(3)
4	-----	24" Handle Assembly-Left	(1)
5	-----	Hinge Bolt	(3)
10	-----	Adjustment Bolt	(1)
11	-----	Adjustment Hex Nut	(1)
14	-----	24" Handle Assembly-Right	(1)
16	14-46-2140	Hardware Kit	(1)

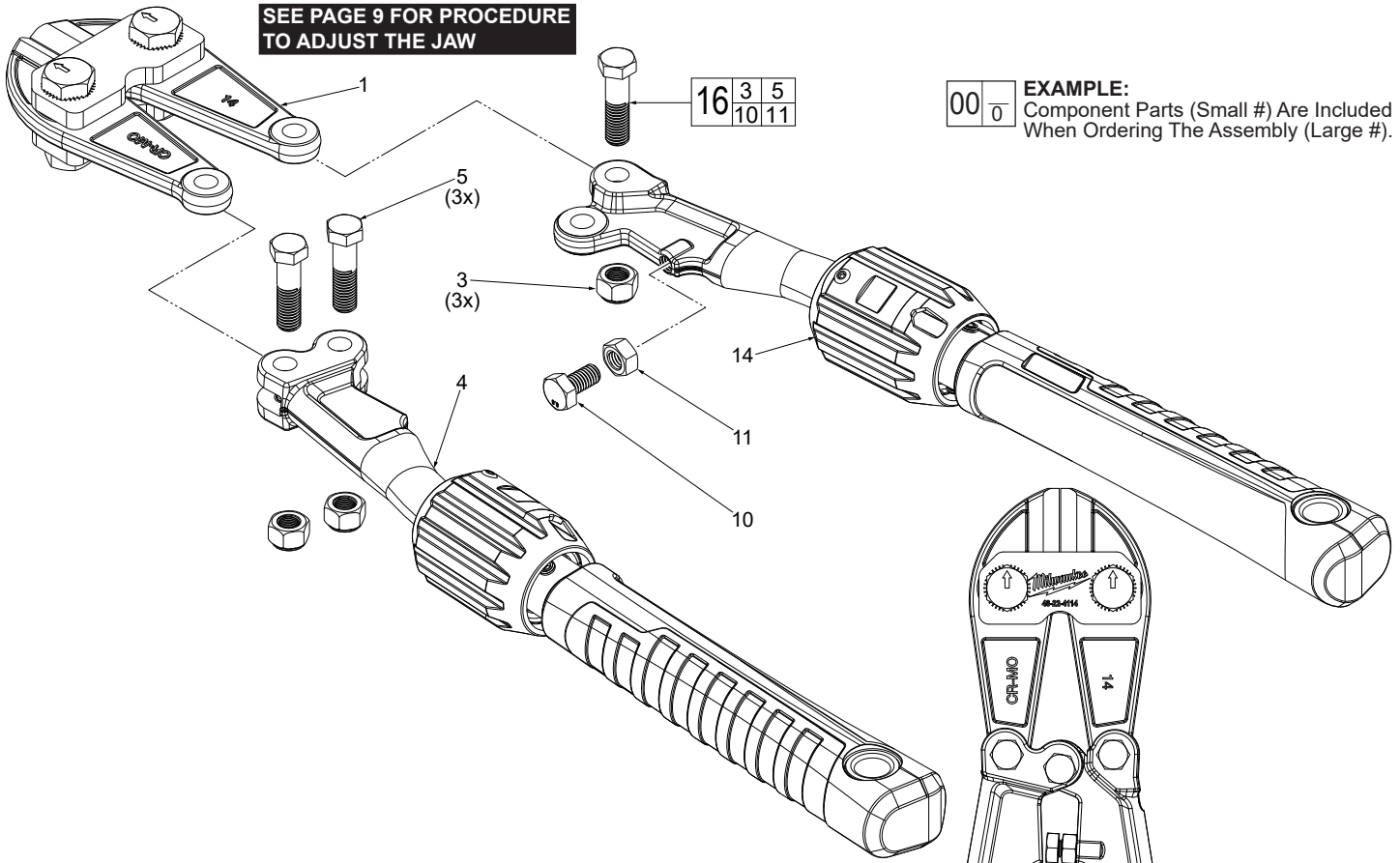
00 0 **EXAMPLE:**
 Component Parts (Small #) Are Included
 When Ordering The Assembly (Large #).



30" Standard Bolt Cutter No. 48-22-4031

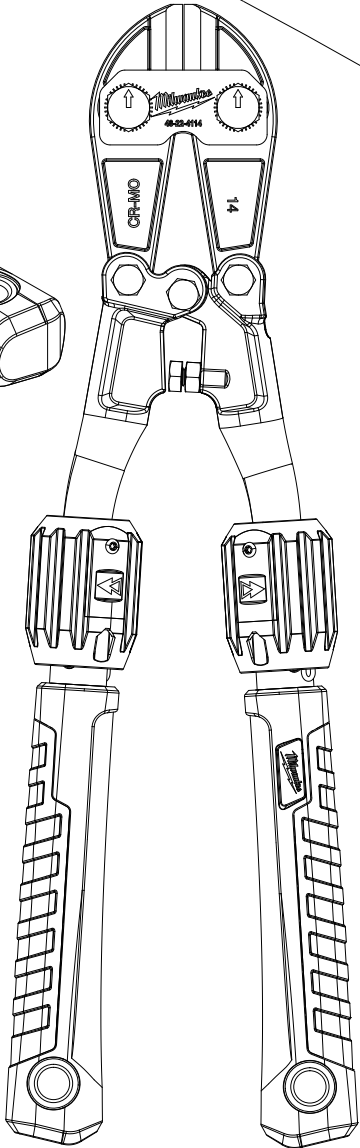
FIG.	PART NO.	DESCRIPTION OF PART	NO. REQ.
1	-----	Handle Assembly	(2)
4	-----	Adjustment Hex Nut	(1)
5	-----	Adjustment Bolt	(1)
6	-----	Hinge Bolt	(3)
7	-----	Right Bolt Cutter Pivot Assembly	(1)
8	-----	Lock Nut	(3)
9	-----	Left Bolt Cutter Pivot Assembly	(1)
10	48-38-0031	30" Cutter Blade Assembly	(1)
16	14-46-2149	Hardware Kit	(1)

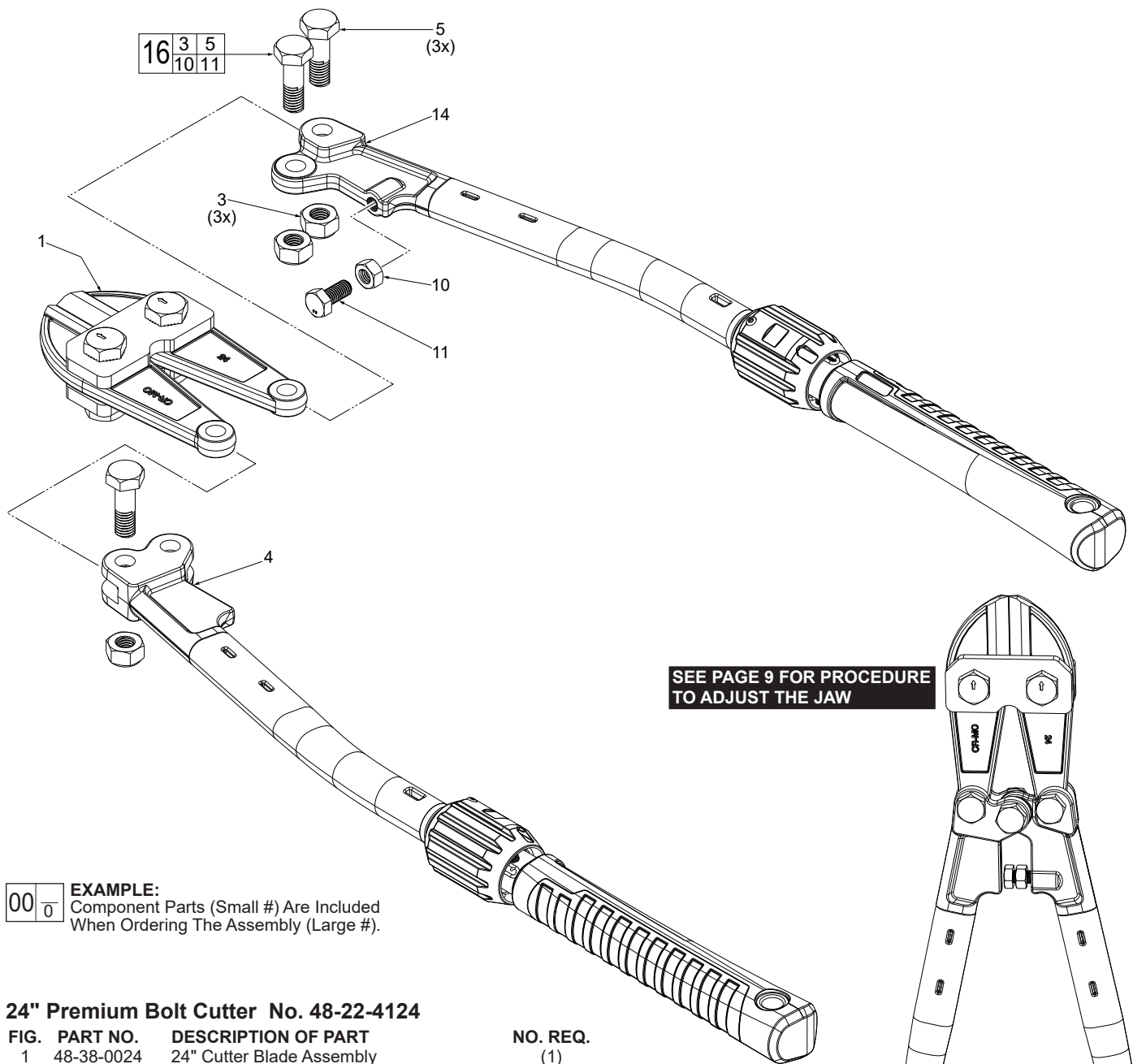




14" Premium Bolt Cutter No. 48-22-4114

FIG.	PART NO.	DESCRIPTION OF PART	NO. REQ.
1	48-38-0014	14" Cutter Blade Assembly	(1)
3	-----	Hex Nut	(3)
4	-----	14" Adjustable Handle Assembly-Left	(1)
5	-----	Hinge Bolt	(3)
10	-----	Adjustment Bolt	(1)
11	-----	Adjustment Hex Nut	(1)
14	-----	14" Adjustable Handle Assembly-Right	(1)
16	14-46-2135	Hardware Kit	(1)

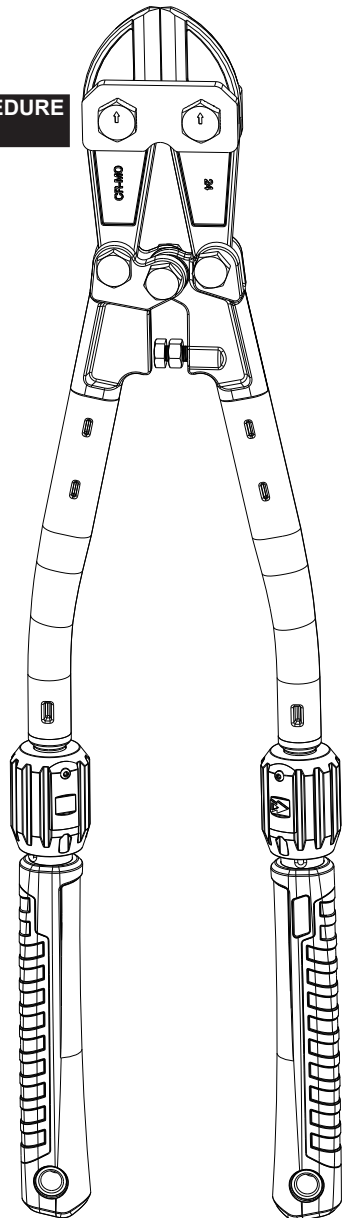




EXAMPLE:
 Component Parts (Small #) Are Included
 When Ordering The Assembly (Large #).

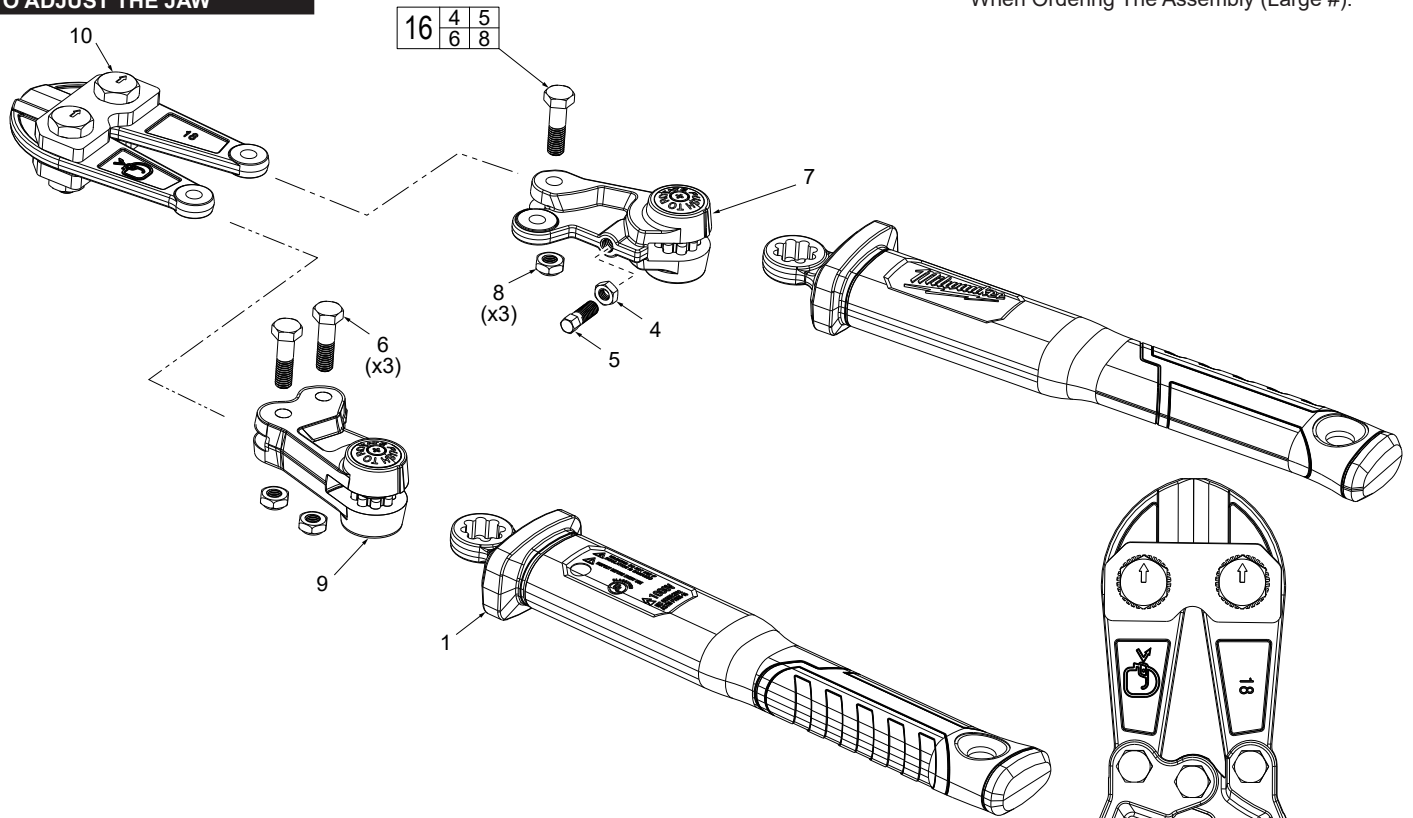
24" Premium Bolt Cutter No. 48-22-4124

FIG.	PART NO.	DESCRIPTION OF PART	NO. REQ.
1	48-38-0024	24" Cutter Blade Assembly	(1)
3	-----	Hex Nut	(3)
4	-----	24" Adjustable Handle Assembly-Left	(1)
5	-----	Hinge Bolt	(3)
10	-----	Adjustment Bolt	(1)
11	-----	Adjustment Hex Nut	(1)
14	-----	24" Adjustable Handle Assembly-Right	(1)
16	14-46-2140	Hardware Kit	(1)



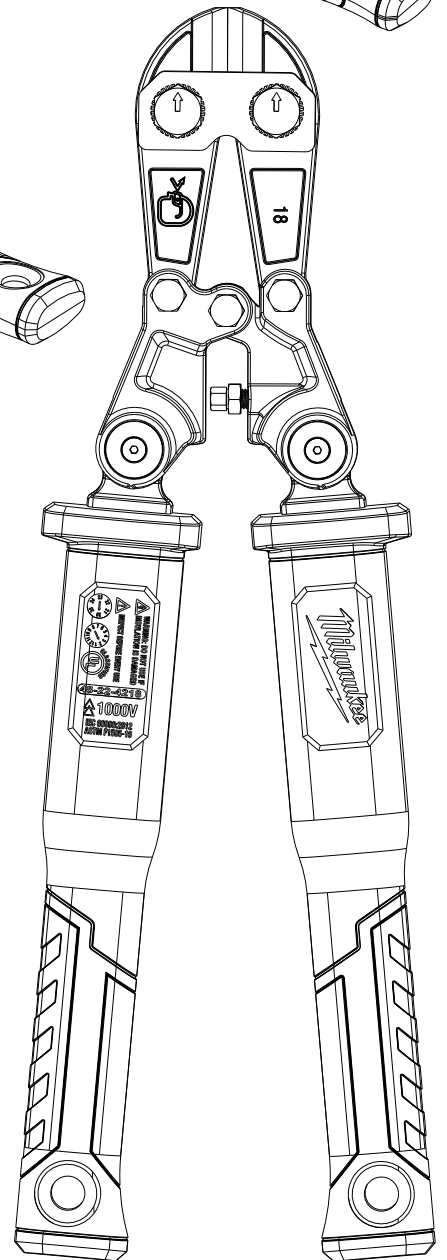
SEE PAGE 9 FOR PROCEDURE TO ADJUST THE JAW

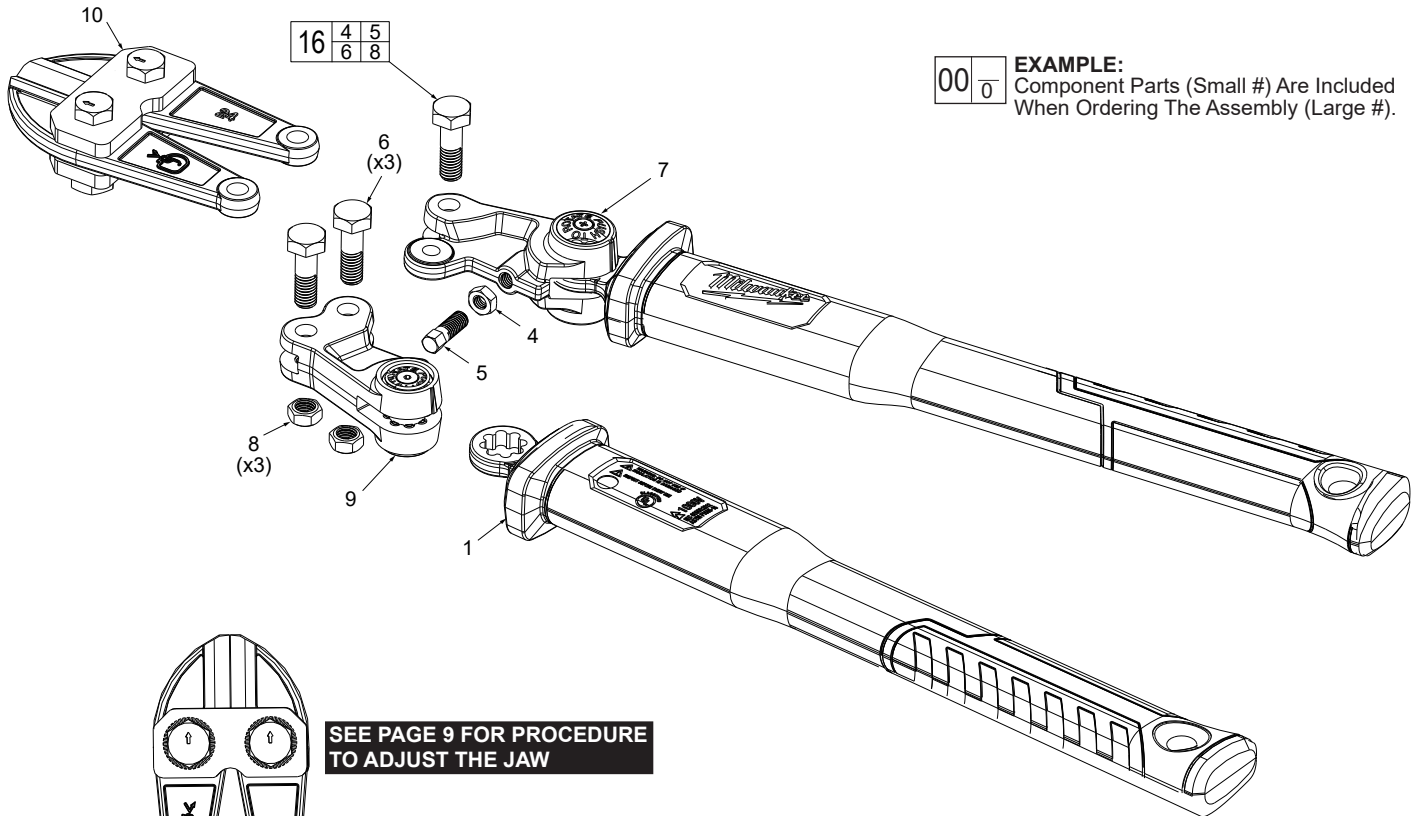
EXAMPLE:
Component Parts (Small #) Are Included When Ordering The Assembly (Large #).



18" Non-Conductive Bolt Cutter No. 48-22-4218

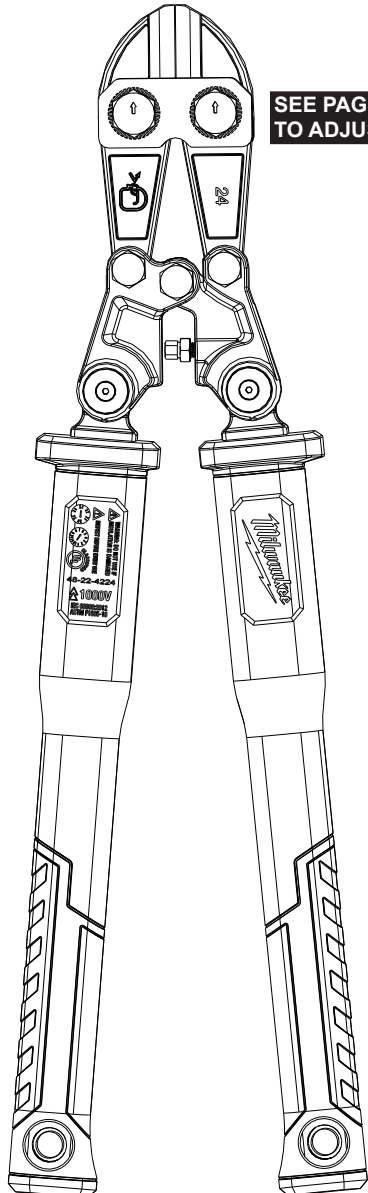
FIG.	PART NO.	DESCRIPTION OF PART	NO. REQ.
1	-----	Handle Assembly	(2)
4	-----	Adjustment Hex Nut	(1)
5	-----	Adjustment Bolt	(1)
6	-----	Hinge Bolt	(3)
7	-----	Right Bolt Cutter Pivot Assembly	(1)
8	-----	Lock Nut	(3)
9	-----	Left Bolt Cutter Pivot Assembly	(1)
10	48-38-0018	18" Cutter Blade Assembly	(1)
16	14-46-2139	Hardware Kit	(1)





EXAMPLE:
 Component Parts (Small #) Are Included
 When Ordering The Assembly (Large #).

**SEE PAGE 9 FOR PROCEDURE
 TO ADJUST THE JAW**

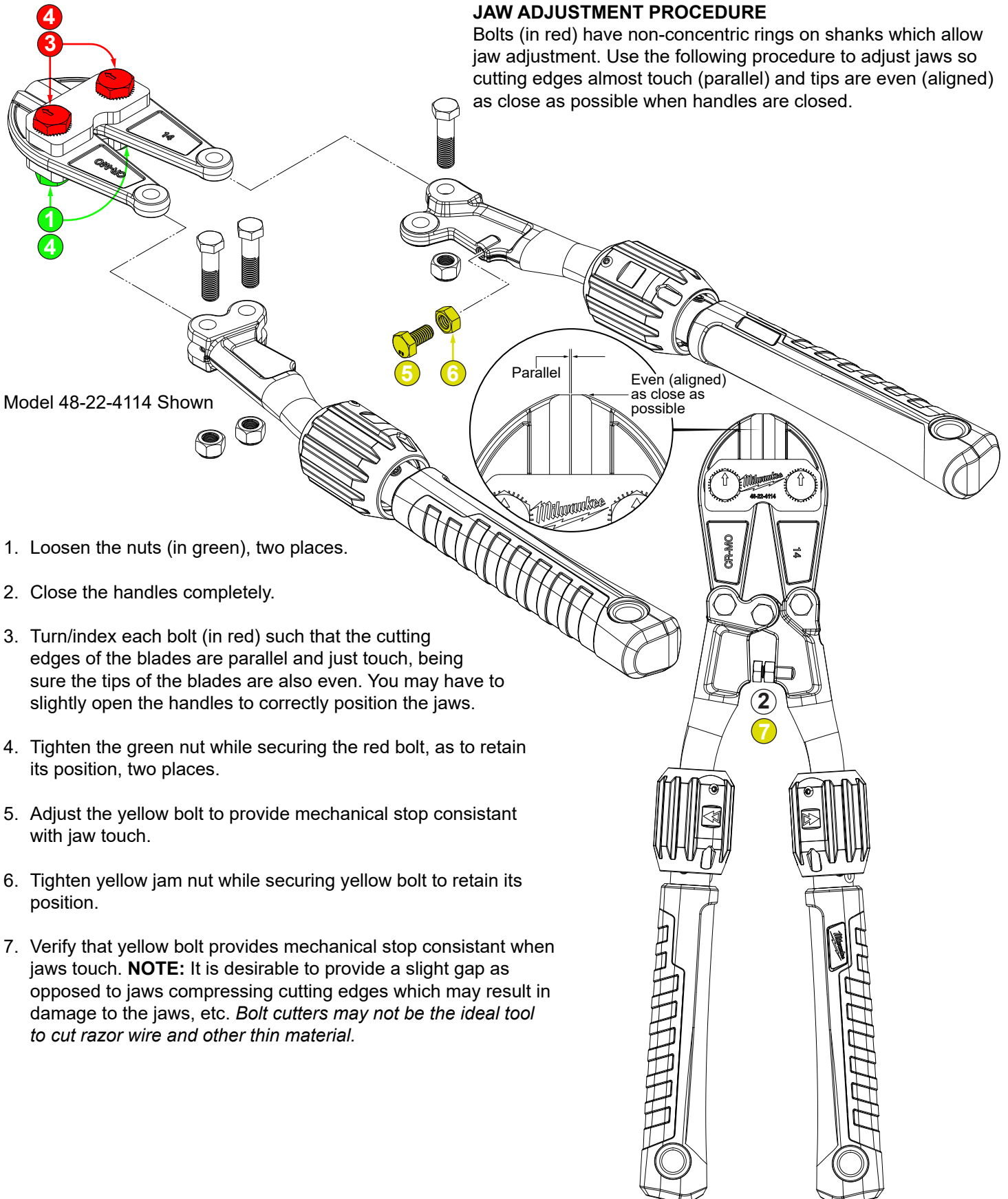


24" Non-Conductive Bolt Cutter No. 48-22-4224

FIG. REQ.	PART NO.	DESCRIPTION OF PART	NO.
1	-----	Handle Assembly	(2)
4	-----	Adjustment Hex Nut	(1)
5	-----	Adjustment Bolt	(1)
6	-----	Hinge Bolt	(3)
7	-----	Right Bolt Cutter Pivot Assembly	(1)
8	-----	Lock Nut	(3)
9	-----	Left Bolt Cutter Pivot Assembly	(1)
10	48-38-0025	24" Cutter Blade Assembly	(1)
16	14-46-2141	Hardware Kit	(1)

JAW ADJUSTMENT PROCEDURE

Bolts (in red) have non-concentric rings on shanks which allow jaw adjustment. Use the following procedure to adjust jaws so cutting edges almost touch (parallel) and tips are even (aligned) as close as possible when handles are closed.



1. Loosen the nuts (in green), two places.
2. Close the handles completely.
3. Turn/index each bolt (in red) such that the cutting edges of the blades are parallel and just touch, being sure the tips of the blades are also even. You may have to slightly open the handles to correctly position the jaws.
4. Tighten the green nut while securing the red bolt, as to retain its position, two places.
5. Adjust the yellow bolt to provide mechanical stop consistent with jaw touch.
6. Tighten yellow jam nut while securing yellow bolt to retain its position.
7. Verify that yellow bolt provides mechanical stop consistent when jaws touch. **NOTE:** It is desirable to provide a slight gap as opposed to jaws compressing cutting edges which may result in damage to the jaws, etc. *Bolt cutters may not be the ideal tool to cut razor wire and other thin material.*