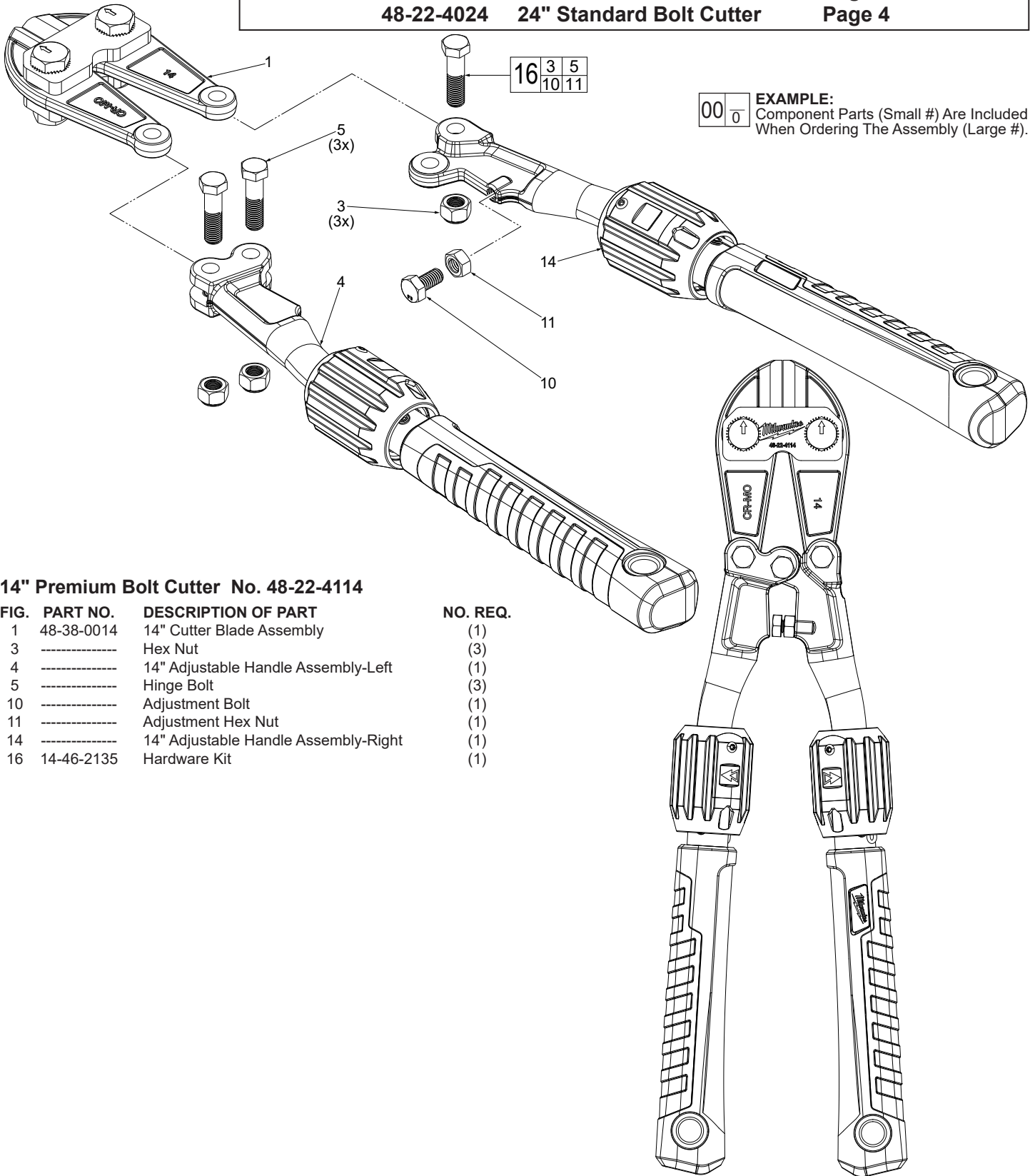




SERVICE PARTS LIST

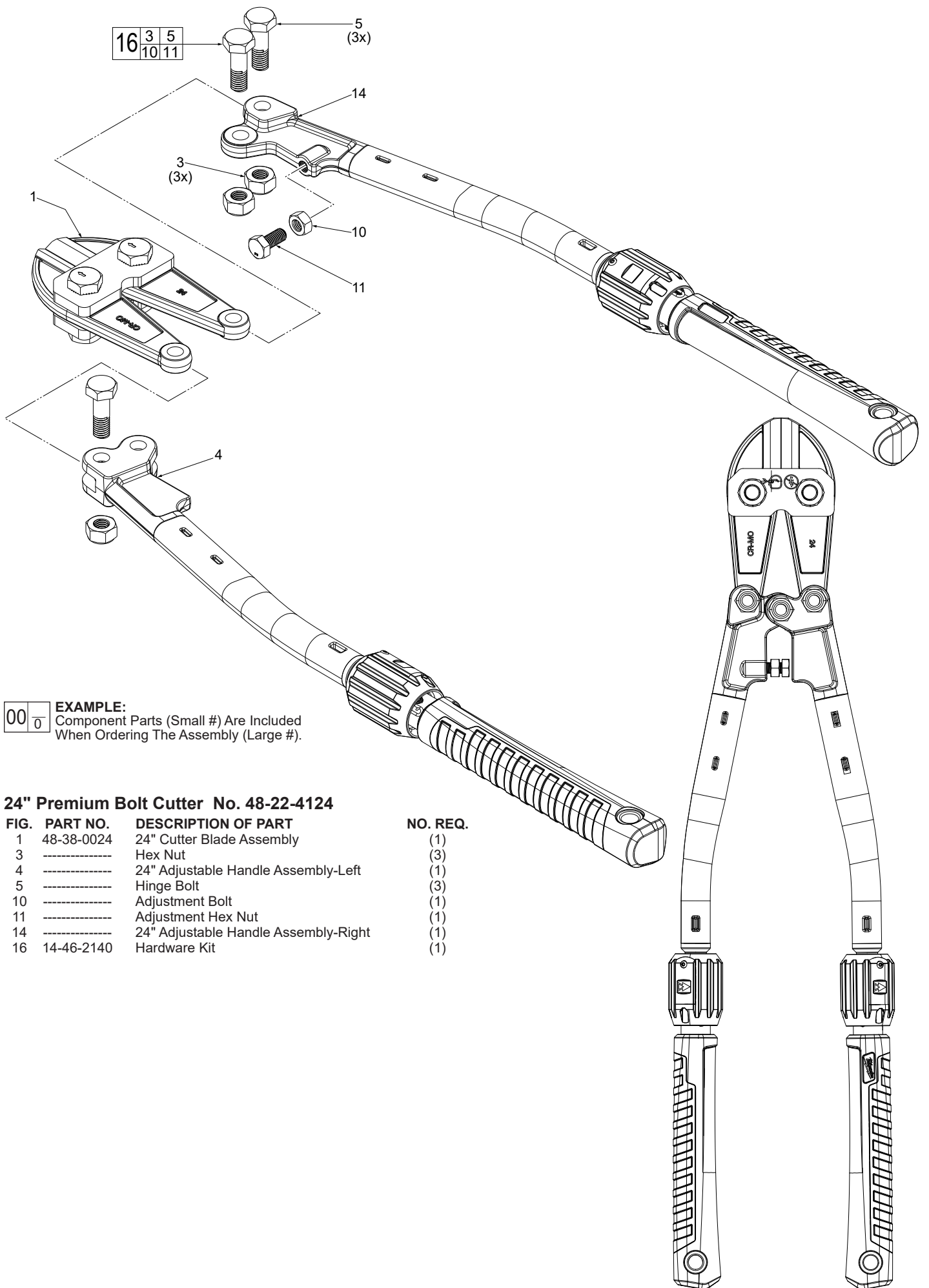
BULLETIN NO.
54-49-1605

SPECIFY CATALOG NO. AND SERIAL NO. WHEN ORDERING PARTS		REVISED BULLETIN
BOLT CUTTERS		
CATALOG NO. 48-22-4114	14" Premium Bolt Cutter	Page 1
48-22-4124	24" Premium Bolt Cutter	Page 2
48-22-4014	14" Standard Bolt Cutter	Page 3
48-22-4024	24" Standard Bolt Cutter	Page 4



14" Premium Bolt Cutter No. 48-22-4114

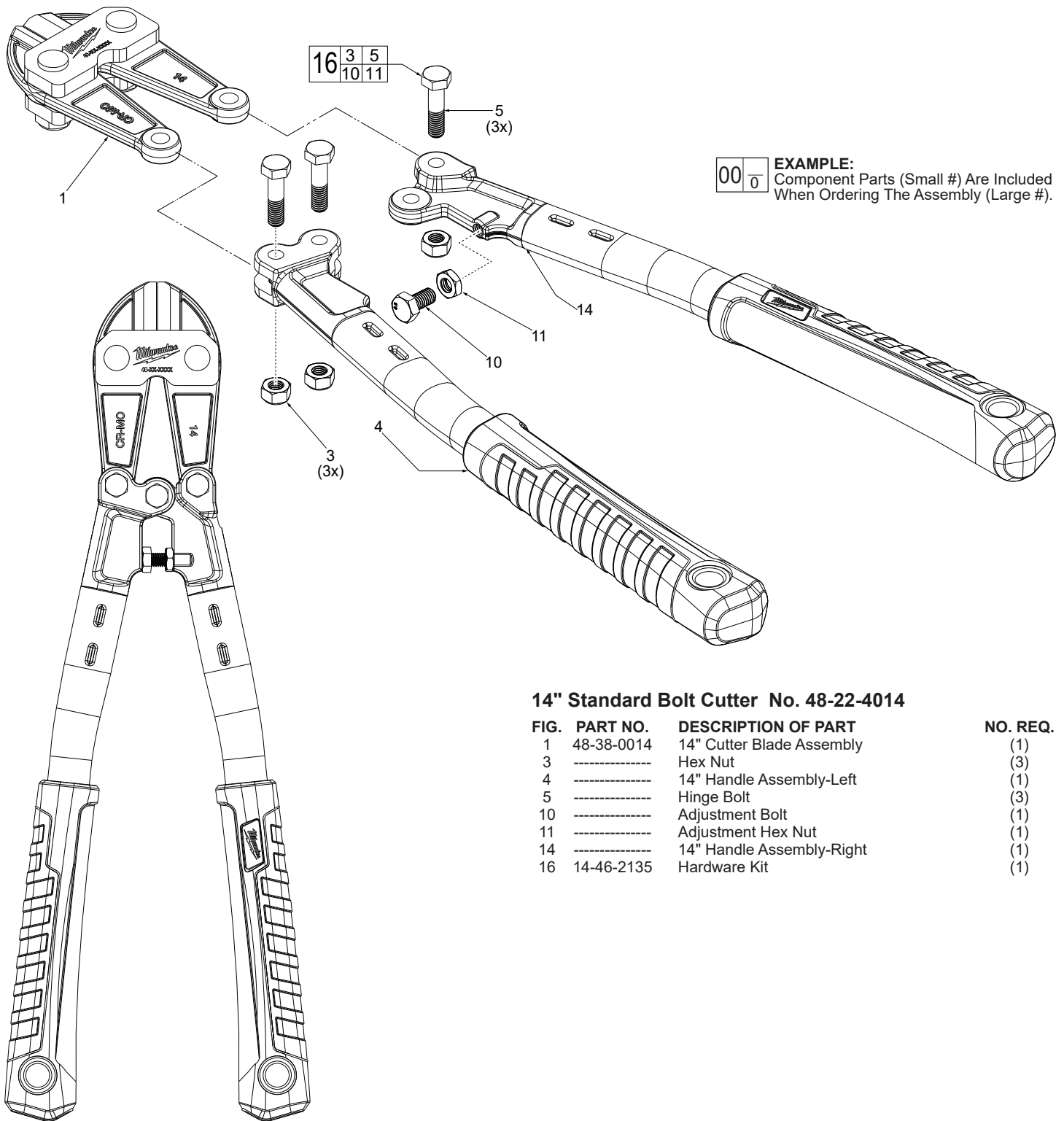
FIG.	PART NO.	DESCRIPTION OF PART	NO. REQ.
1	48-38-0014	14" Cutter Blade Assembly	(1)
3	-----	Hex Nut	(3)
4	-----	14" Adjustable Handle Assembly-Left	(1)
5	-----	Hinge Bolt	(3)
10	-----	Adjustment Bolt	(1)
11	-----	Adjustment Hex Nut	(1)
14	-----	14" Adjustable Handle Assembly-Right	(1)
16	14-46-2135	Hardware Kit	(1)



EXAMPLE:
 00 0 Component Parts (Small #) Are Included
 When Ordering The Assembly (Large #).

24" Premium Bolt Cutter No. 48-22-4124

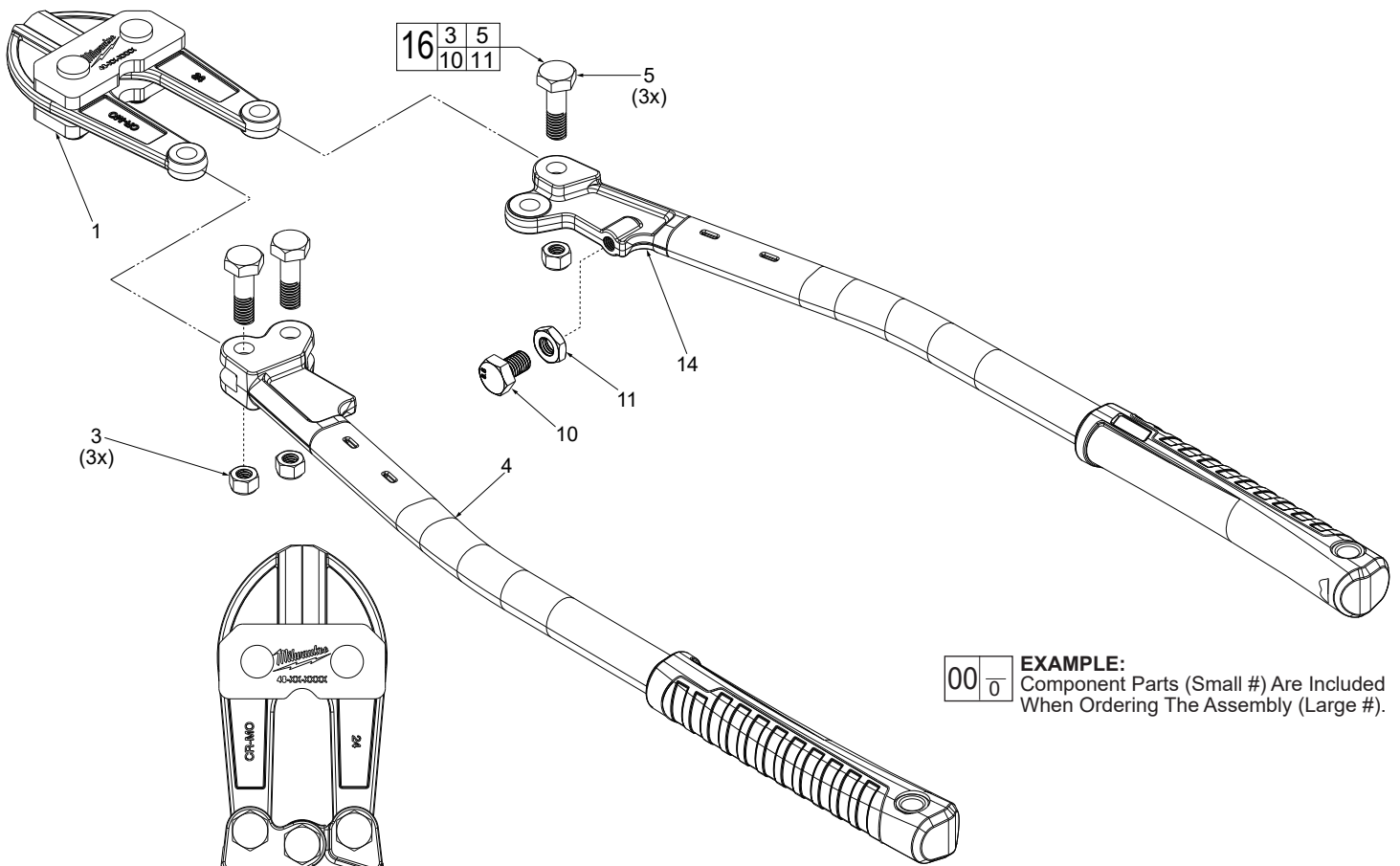
FIG.	PART NO.	DESCRIPTION OF PART	NO. REQ.
1	48-38-0024	24" Cutter Blade Assembly	(1)
3	-----	Hex Nut	(3)
4	-----	24" Adjustable Handle Assembly-Left	(1)
5	-----	Hinge Bolt	(3)
10	-----	Adjustment Bolt	(1)
11	-----	Adjustment Hex Nut	(1)
14	-----	24" Adjustable Handle Assembly-Right	(1)
16	14-46-2140	Hardware Kit	(1)



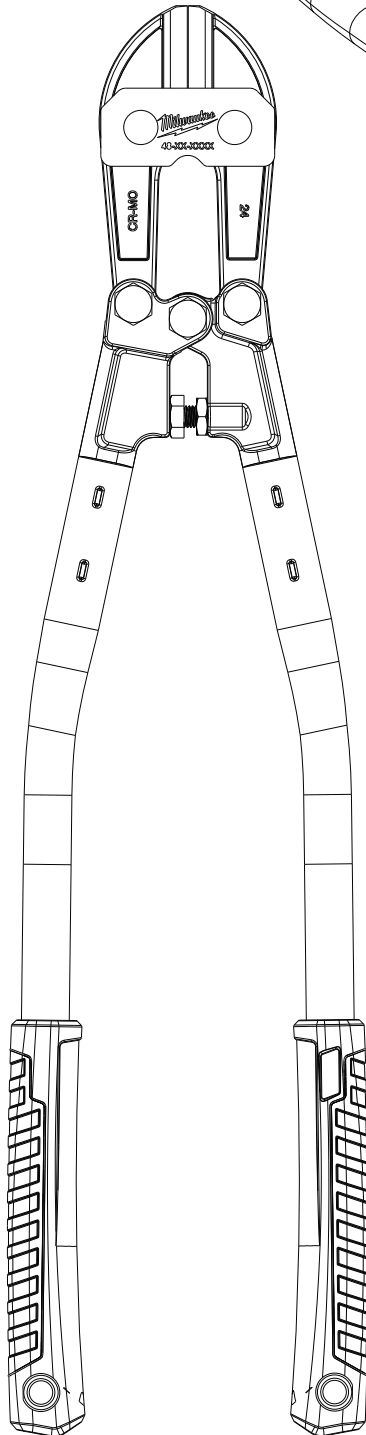
EXAMPLE:
 Component Parts (Small #) Are Included
 When Ordering The Assembly (Large #).

14" Standard Bolt Cutter No. 48-22-4014

FIG.	PART NO.	DESCRIPTION OF PART	NO. REQ.
1	48-38-0014	14" Cutter Blade Assembly	(1)
3	-----	Hex Nut	(3)
4	-----	14" Handle Assembly-Left	(1)
5	-----	Hinge Bolt	(3)
10	-----	Adjustment Bolt	(1)
11	-----	Adjustment Hex Nut	(1)
14	-----	14" Handle Assembly-Right	(1)
16	14-46-2135	Hardware Kit	(1)



EXAMPLE:
 Component Parts (Small #) Are Included
 When Ordering The Assembly (Large #).



24" Standard Bolt Cutter No. 48-22-4024

FIG.	PART NO.	DESCRIPTION OF PART	NO. REQ.
1	48-38-0024	24" Cutter Blade Assembly	(1)
3	-----	Hex Nut	(3)
4	-----	24" Handle Assembly-Left	(1)
5	-----	Hinge Bolt	(3)
10	-----	Adjustment Bolt	(1)
11	-----	Adjustment Hex Nut	(1)
14	-----	24" Handle Assembly-Right	(1)
16	14-46-2140	Hardware Kit	(1)