



SERVICE PARTS LIST

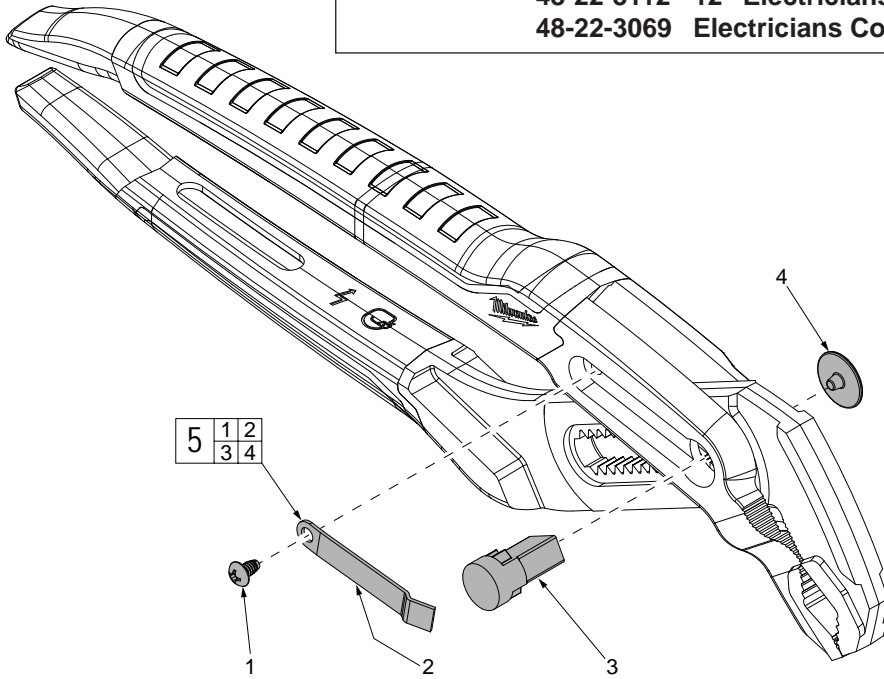
**BULLETIN NO.
54-49-3100**

SPECIFY CATALOG NO. AND SERIAL NO. WHEN ORDERING PARTS		REVISED BULLETIN	DATE
ELECTRICIANS PLIERS			Nov. 2011
CATALOG NO.	DESCRIPTION	WIRING INSTRUCTION	
48-22-3108	8" Electricians Groove Pliers		
48-22-3110	10" Electricians Groove Pliers		
48-22-3112	12" Electricians Groove Pliers		
48-22-3069	Electricians Combo Wire Pliers		

EXAMPLE:

00	0
----	---

 Component Parts (Small #)
 Are Included When Ordering
 The Assembly (Large #).



- 48-22-3108 8" Electrician Groove Pliers**
- 48-22-3110 10" Electrician Groove Pliers**
- 48-22-3112 12" Electrician Groove Pliers**

FIG.	PART NO.	DESCRIPTION OF PART	NO. REQ.
1	-----	Screw	(1)
2	-----	Spring	(1)
3	-----	Button	(1)
4	-----	Cap	(1)
5	14-46-0032	8" Mechanism Service Kit	(1)
5	14-46-0033	10" Mechanism Service Kit	(1)
5	14-46-0034	12" Mechanism Service Kit	(1)

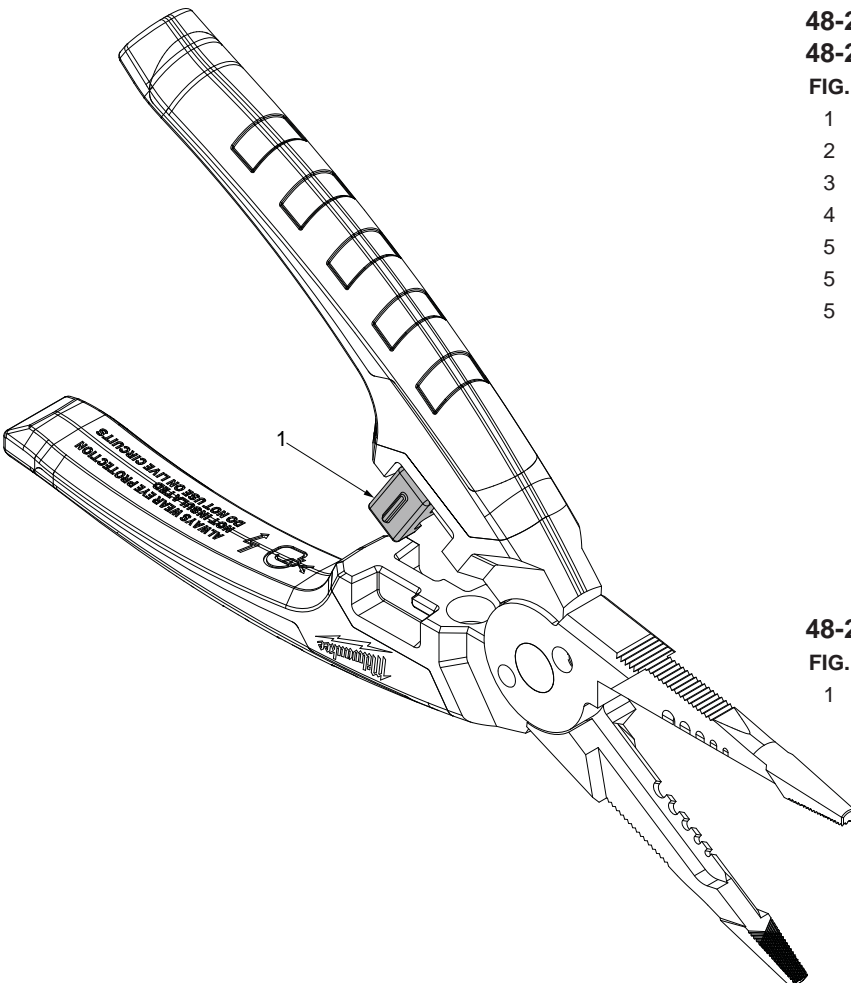


FIG.	PART NO.	DESCRIPTION OF PART	NO. REQ.
1	14-46-0035	Combination Pliers Service Kit	(1)



SERVICE PARTS LIST

BULLETIN NO.
54-49-3130

SPECIFY CATALOG NO. AND SERIAL NO. WHEN ORDERING PARTS				REVISED BULLETIN	DATE
TORQUE LOCK™ PLIERS / CLAMPS					Apr. 2014
48-22-3405	5" Curved Jaw	48-22-3410	10" Curved Jaw	48-22-3522	6" Swivel C-Clamp
48-22-3406	6" Long Nose	48-22-3507	7" Straight Jaw	48-22-3521	11" Swivel C-Clamp
48-22-3407	7" Curved Jaw	48-22-3510	10" Straight Jaw	48-22-3531	11" C-Clamp
48-22-3409	9" Long Nose	48-22-3520	10" Curved Jaw	48-22-3532	6" C-Clamp

STRAIGHT JAW



48-22-3507 7" Straight Jaw
48-22-3510 10" Straight Jaw

CURVED JAW



48-22-3520 10" Curved Jaw

CURVED JAW



48-22-3405 5" Curved Jaw
48-22-3407 7" Curved Jaw
48-22-3410 10" Curved Jaw

LONG NOSE



48-22-3406 6" Long Nose
48-22-3409 9" Long Nose

C-CLAMP



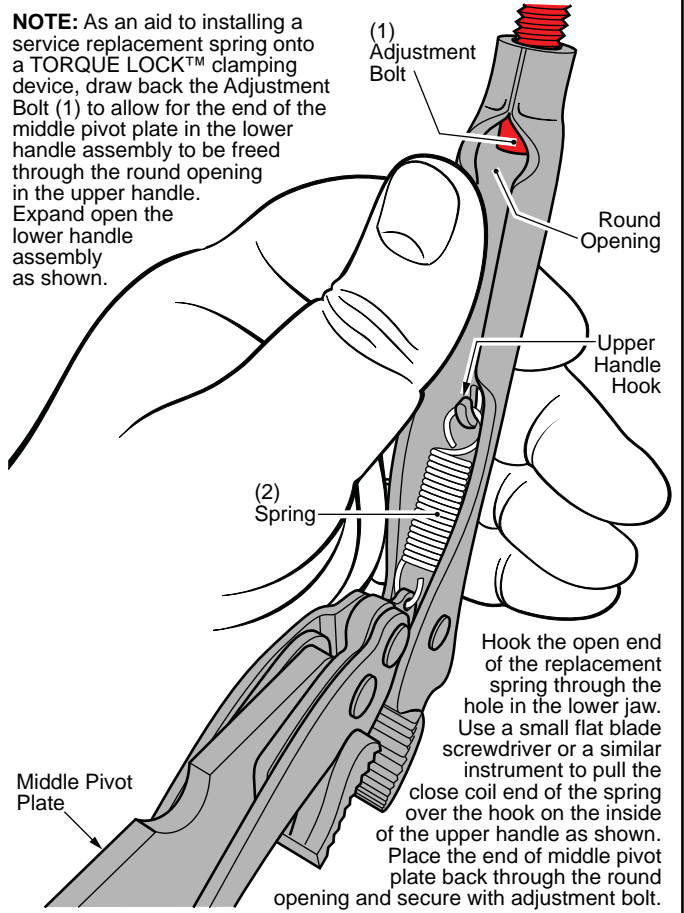
48-22-3531 11" C-Clamp
48-22-3532 6" C-Clamp

SWIVEL C-CLAMP



48-22-3521 11" Swivel C-Clamp
48-22-3522 6" Swivel C-Clamp

NOTE: As an aid to installing a service replacement spring onto a TORQUE LOCK™ clamping device, draw back the Adjustment Bolt (1) to allow for the end of the middle pivot plate in the lower handle assembly to be freed through the round opening in the upper handle. Expand open the lower handle assembly as shown.



Hook the open end of the replacement spring through the hole in the lower jaw. Use a small flat blade screwdriver or a similar instrument to pull the close coil end of the spring over the hook on the inside of the upper handle as shown. Place the end of middle pivot plate back through the round opening and secure with adjustment bolt.

Illustration above serves as an aid for the installation of a Spring Kit in a hand tool without handle grips. See page 2 for the illustration showing spring installation into a hand tool with handle grips.

TOOL NO.	TOOL DESCRIPTION	SPRING KIT	ADJ. BOLT KIT
48-22-3405	5" Curved Jaw	40-50-0935	06-14-0115
48-22-3406	6" Long Nose	40-50-0935	06-14-0115
48-22-3407	7" Curved Jaw	40-50-0940	06-14-0110
48-22-3409	9" Long Nose	40-50-0940	06-14-0110
48-22-3410	10" Curved Jaw	40-50-0945	06-14-0105
48-22-3507	7" Straight Jaw	40-50-0940	06-14-0110
48-22-3510	10" Straight Jaw	40-50-0945	06-14-0105
48-22-3520	10" Curved Jaw	40-50-0945	06-14-0105
48-22-3521	11" Swivel C-Clamp	40-50-0945	06-14-0105
48-22-3522	6" Swivel C-Clamp	40-50-0935	06-14-0115
48-22-3531	11" C-Clamp	40-50-0945	06-14-0105
48-22-3532	6" C-Clamp	40-50-0935	06-14-0115

