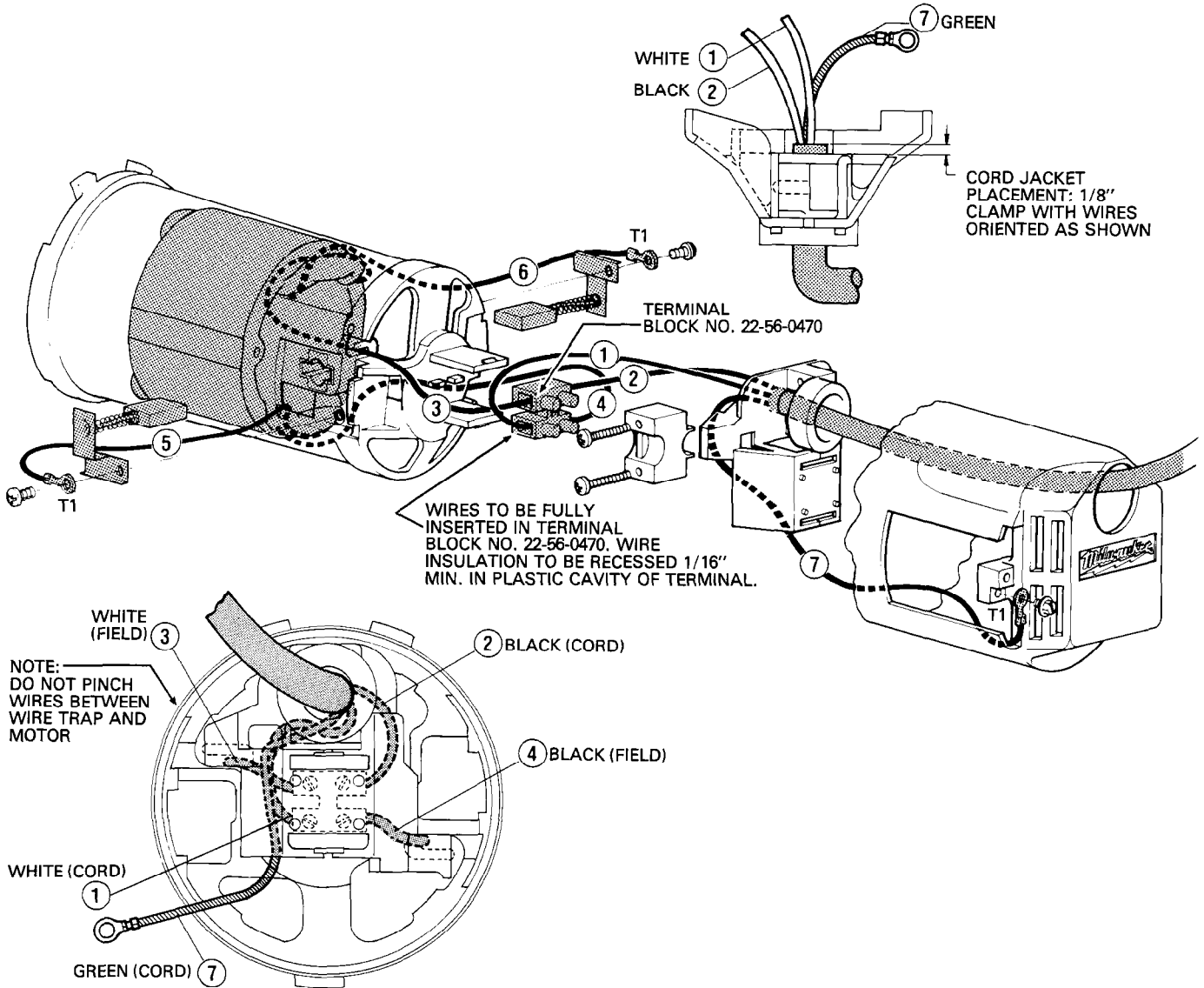


# WIRING INSTRUCTIONS

TITLE

120 VOLT DYMODRILL

BULLETIN  
58-01-0930



WIRING SPECIFICATIONS				
Wire No.	Wire Color	Origin or Gauge	Length	Terminals, Connectors and 1 or 2 End Wire Preparation
1	WHITE	CORD	2-3/4"	STRIP 1/4" AND TIN
2	BLACK	CORD	2-1/4"	STRIP 1/4" AND TIN
3	WHITE	FIELD	-----	STRIP 1/4" AND TIN
4	BLACK	FIELD	-----	STRIP 1/4" AND TIN
5	WHITE	FIELD	-----	STRIP 3/16" FOR T1
6	WHITE	FIELD	-----	STRIP 3/16" FOR T1
7	GREEN	CORD	-----	STRIP 3/16" FOR T1

NOTE:  
All leads must be held to  $\pm 1/8"$ .  
All field leads to be measured from and perpendicular to laminations.  
All lead lengths are before stripping.

TERMINAL DESCRIPTION		
Code	Part No.	Qty.
T1	23-74-0840	3
CONNECTOR DESCRIPTION		