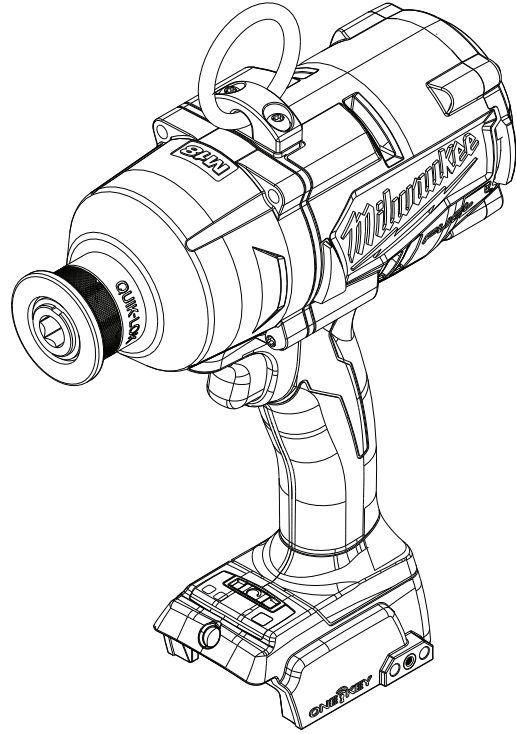




# SERVICE PARTS LIST

**BULLETIN NO.**  
**54-00-2865**

SPECIFY CATALOG NO. AND SERIAL NO. WHEN ORDERING PARTS		REVISED BULLETIN	DATE
<b>M18™ FUEL™ ONE KEY 7/16" Hex Impact Driver</b>			Oct. 2019
<b>CATALOG NO.</b>	<b>2865-20</b>	<b>STARTING SERIAL NO.</b>	<b>K40A</b>
WIRING INSTRUCTION			



**EXAMPLE:**  
 Component Parts (Small #)  
 Are Included When Ordering  
 The Assembly (Large #).

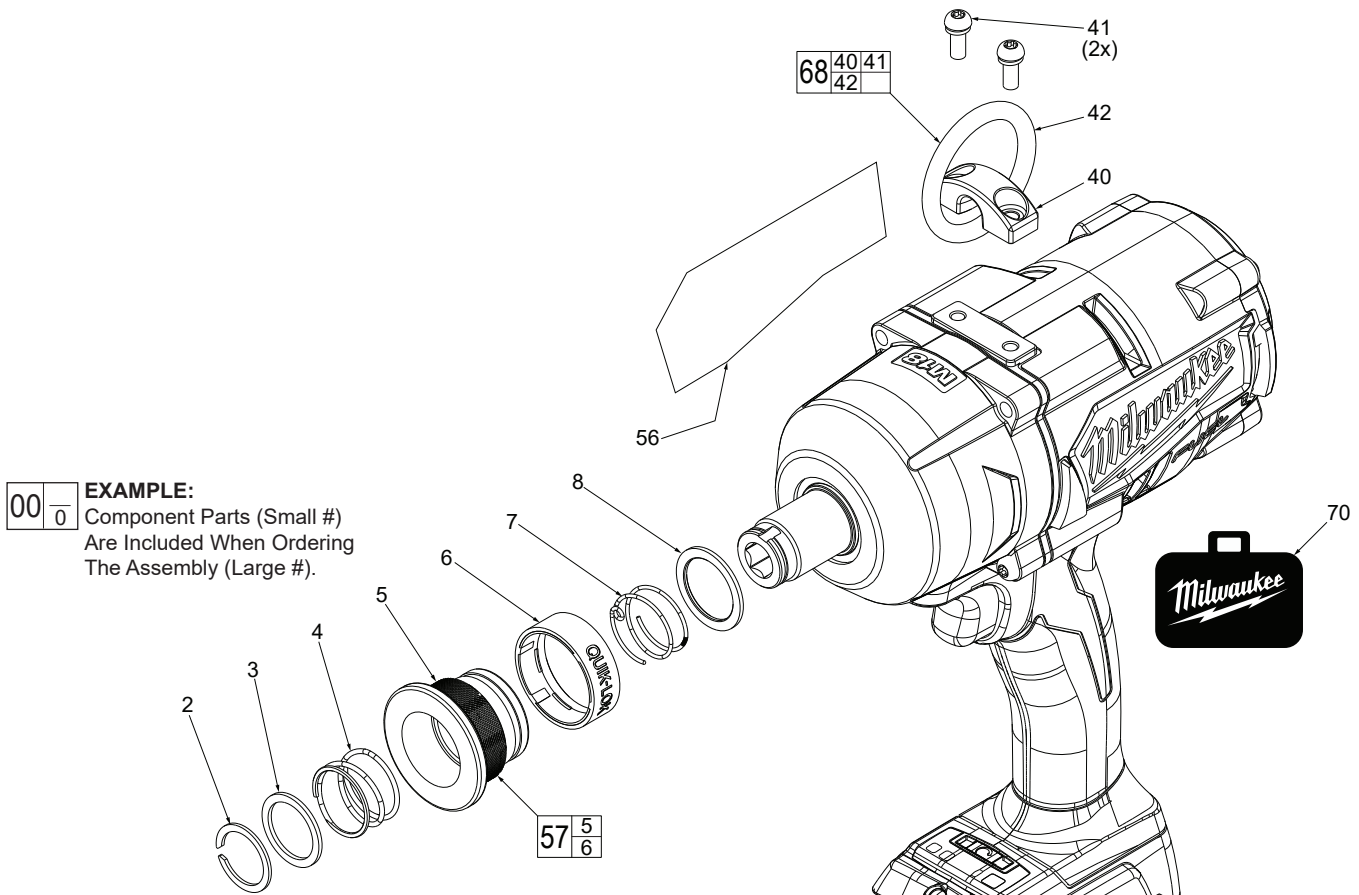


FIG.	PART NO.	DESCRIPTION OF PART	NO. REQ.
2	34-60-0051	Retaining Ring	(1)
3	44-90-0210	Support Washer	(1)
4	40-50-1495	Sleeve Spring	(1)
5	-----	Sleeve	(1)
6	-----	Sleeve Band	(1)
7	40-50-0099	Anvil Spring	(1)
8	44-90-0211	Flat Washer	(1)
40	-----	Hanger Holder	(1)
41	-----	M5 x 13mm Pan Hd. T-25 Screw w/Spr. Washer	(2)
42	-----	Lanyard Hook Ring	(1)
52	22-09-2757	Coin Cell PCBA	(1)
53	-----	3V Coin Cell Battery (CR 2032)	(1)
54	31-15-0011	Coin Cell Cover	(1)
55	05-81-1100	M2.6 x 6mm Flat Hd. Phillips Screw	(2)
56	12-20-6520	Service Nameplate	(1)
57	42-76-0260	Sleeve Assembly	(1)
68	14-46-9310	Lanyard Ring Kit	(1)
70	48-55-3560	Contractor Bag	(1)

