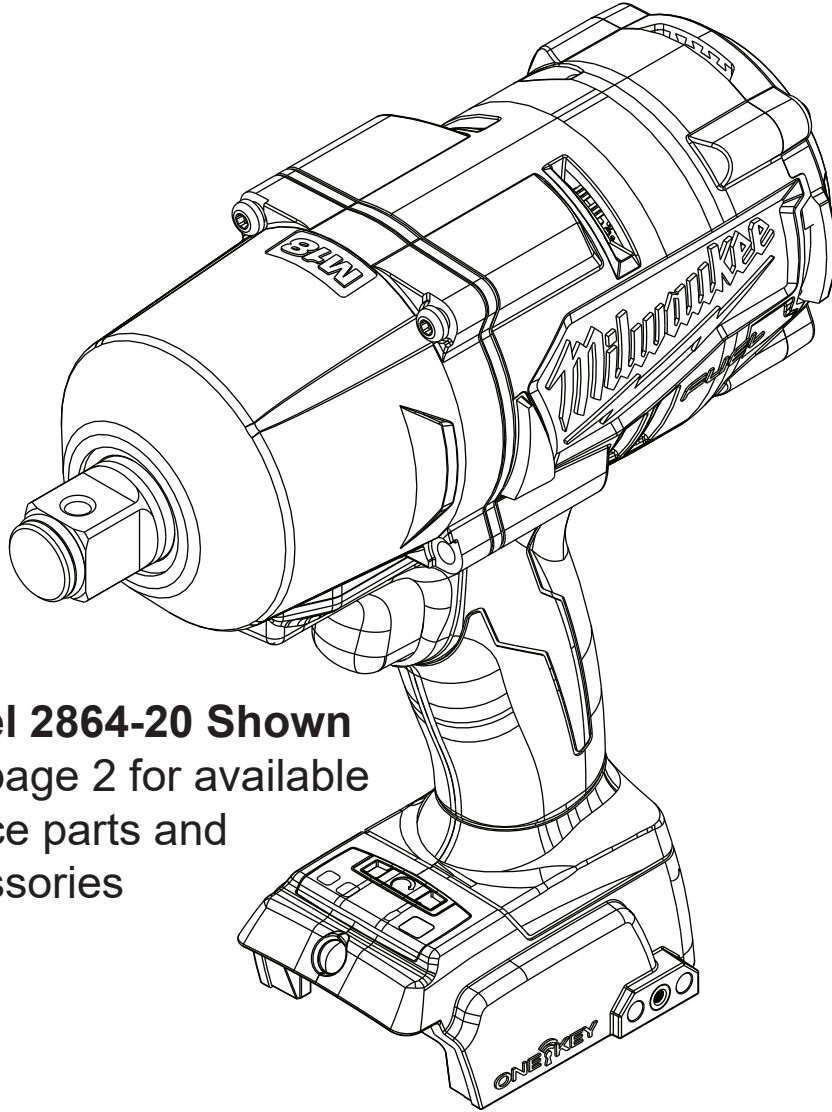




SERVICE PARTS LIST

BULLETIN NO.
54-00-2862

SPECIFY CATALOG NO. AND SERIAL NO. WHEN ORDERING PARTS		REVISED BULLETIN	DATE
M18™ FUEL™ ONE KEY Impact Wrenches			May 2019
CATALOG NO.	2862-20 2863-20 2864-20	SERIAL NUMBER	J38A J39A J40A
WIRING INSTRUCTION			



Model 2864-20 Shown
See page 2 for available
service parts and
accessories

FIG.	PART NO.	DESCRIPTION OF PART	NO. REQ.
41	-----	3V Coin Cell Battery (CR 2032)	(1)
42	22-09-2757	Coin Cell Board Assembly	(1)
43	31-15-0011	Coin Cell Cover	(1)
44	05-81-1100	M2.6 x 6mm ST Phillips Screw	(2)
49	12-20-2810	Service Nameplate	(1)
100	42-55-0063	Blow Molded Carrying Case	(1)
127	49-16-2766	Rubber Boot, Accessory for 2862-20	(1)
127	49-16-2767	Rubber Boot, Accessory for 2863-20	(1)
127	49-16-2864	Rubber Boot, Accessory for 2864-20	(1)

