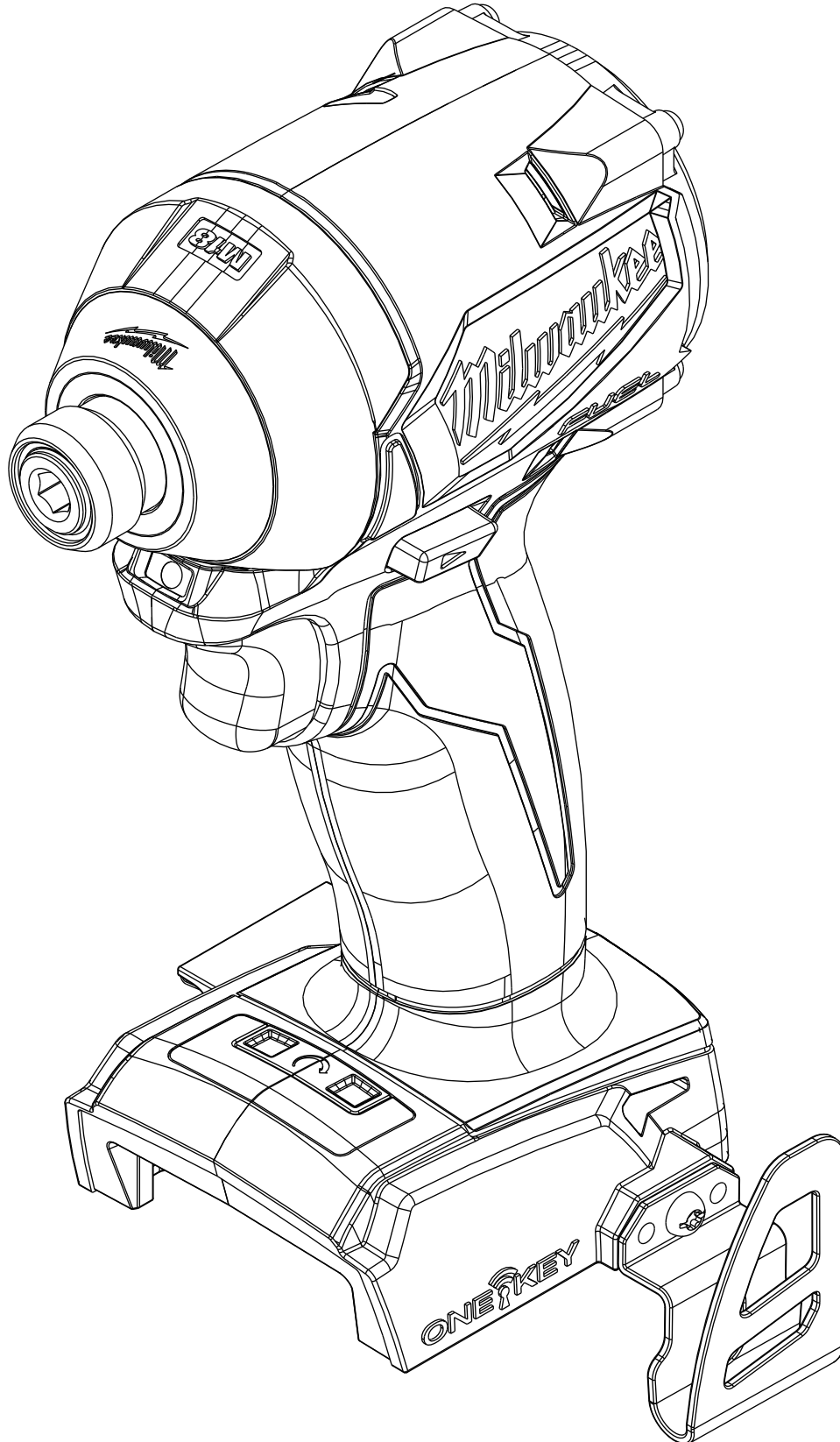




# SERVICE PARTS LIST

BULLETIN NO.  
54-00-2857

SPECIFY CATALOG NO. AND SERIAL NO. WHEN ORDERING PARTS		REVISED BULLETIN
M18™ FUEL™ ONE KEY 1/4" Hex Impact Driver		
CATALOG NO.	2857-20	STARTING SERIAL NO. J64A



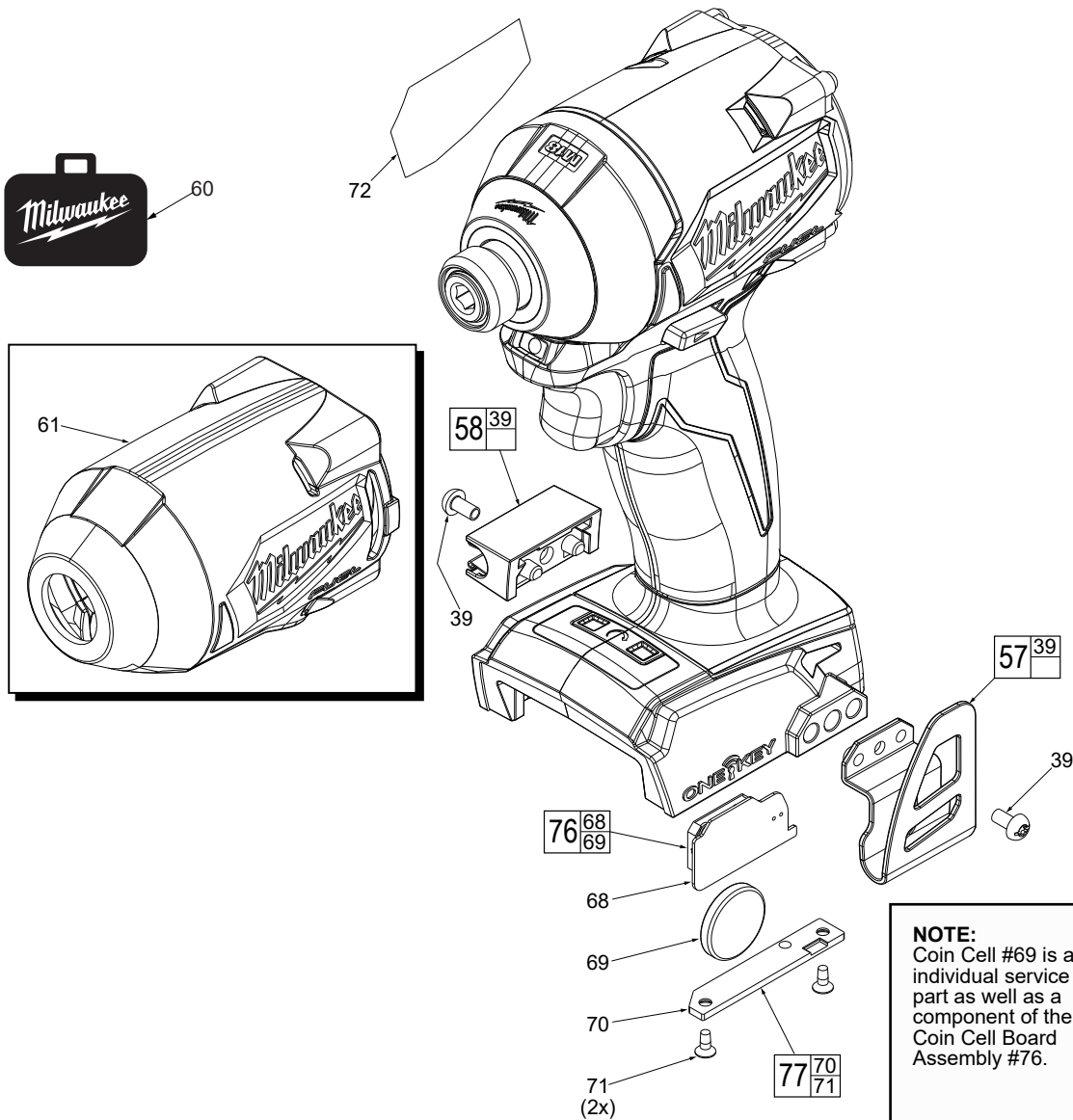


FIG.	PART NO.	DESCRIPTION OF PART	NO. REQ.
39	06-82-2500	6-32 Pan Hd. Slotted T-15 Mach. Scr.	(2)
57	42-70-0950	Belt Clip Kit	(1)
58	43-72-0950	Bit Holder Kit	(1)
60	42-55-0036	Blow Molded Carrying Case	(1)
61	49-16-2853	Rubber Boot, Accessory	(1)
68	-----	Coin Cell PCBA	(1)
69	-----	3V Coin Cell Battery (CR2032H)	(1)
70	-----	Coin Cell Cover	(1)
71	05-81-1100	M2.6 x 6mm ST Phillips Screw	(2)
72	12-20-1217	Service Nameplate	(1)
76	14-20-0068	Coin Cell PCBA Kit	(1)
77	31-44-0111	Coin Cell Cover Kit	(1)

