



SERVICE PARTS LIST

BULLETIN NO.
54-22-2700

SPECIFY CATALOG NO. AND SERIAL NO. WHEN ORDERING PARTS		REVISED BULLETIN	DATE
M18 FUEL™ Die Grinder			Dec. 2016
CATALOG NO.	2784-20	STARTING SERIAL NO.	H58A
			WIRING INSTRUCTION

EXAMPLE:

00	0
----	---

 Component Parts (Small #) Are Included When Ordering The Assembly (Large #).

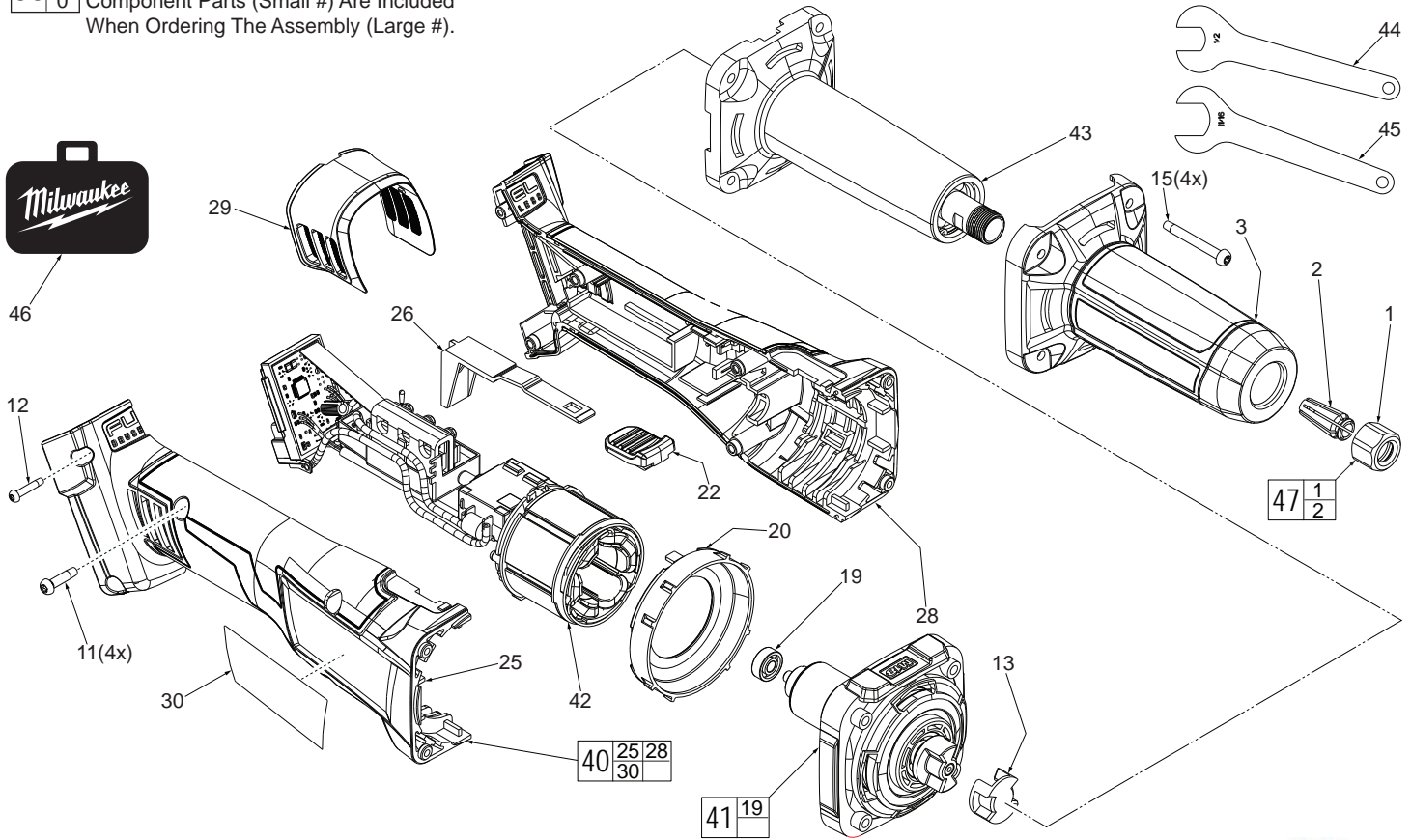
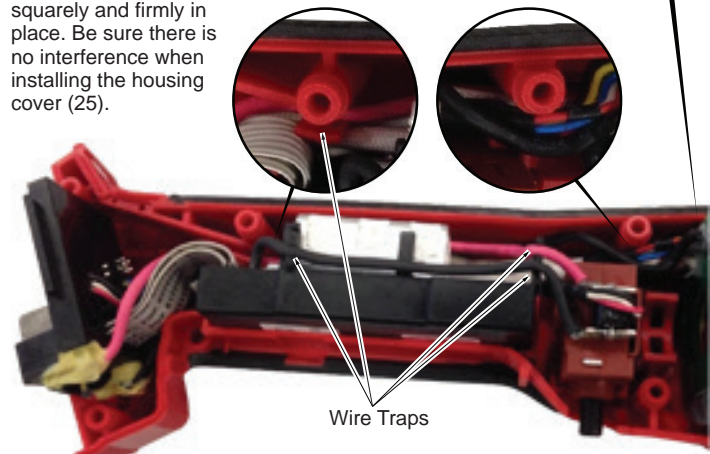
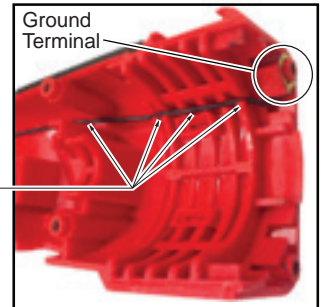


FIG.	PART NO.	DESCRIPTION OF PART	NO. REQ.
1	48-68-0031	1/4" Collet Nut	1
2	48-66-0975	1/4" Collet	1
3	31-15-0054	Spindle Housing Cover	1
11	05-88-1200	M4 x 1.4 x 16 Pan Hd. ST T-20 Screw	4
12	06-82-7236	M3 x 1.0 x 16 Pan Hd. ST T-10 Screw	1
13	42-90-0024	Coupler Insert	1
15	06-81-5376	M4 x 1.4 x 34 Pan Hd. ST T-20 Screw	4
19	02-04-0033	Ball Bearing	1
20	42-14-0006	Baffle	1
22	31-92-0055	Slider Button	1
25	-----	Housing Cover	1
26	31-84-0100	Slide Pole	1
28	-----	Housing Support	1
29	31-15-0275	Dust Cover	1
30	12-20-0106	Service Nameplate	1
40	14-34-2784	Housing Assembly	1
41	16-01-2784	Rotor/Fan Housing Assembly	1
42	14-20-2784	Electronics Assembly	1
43	28-50-0401	Spindle Housing Assembly	1
44	49-96-4040	1/2" Open End Wrench	1
45	49-96-4090	11/16" Open End Wrench	1
46	42-55-2784	Blow Molded Carrying Case	1
47	14-46-0167	1/4" Collet and Nut Kit	1

Prior to installing the electronics assembly (42) into the housing support (28), place grounding terminal over screw boss as shown. Route ground wire, removing as much slack as possible. Be sure wire is pressed firmly to the back of the wire traps.

Install the electronics assembly as shown. Route wires around screw bosses and into wire traps. Be sure all components are seated squarely and firmly in place. Be sure there is no interference when installing the housing cover (25).



SCREW TORQUE SPECIFICATIONS

FIG.	PART NO.	WHERE USED	SEAT TORQUE	
			(KG/CM)	(IN/LBS)
11	05-88-1200	Housing Cover	10-14	8.6-12.1
12	06-82-7236	Housing Cover	5-7	4.3-6.0
15	06-81-5376	Spindle Housing Cover	10-14	8.6-12.1