

BRUSHLESS MOTORS ARE DRIVING REVOLUTIONARY PERFORMANCE

POWERSTATE™ BRUSHLESS MOTORS ARE FEATURED IN

M18 FUEL

DRIVERS & IMPACTS



BUY ONLINE NOW



POWERSTATE™
Brushless Motor

REDLINK Plus™
Intelligence



REDLITHIUM™
Battery Pack



LONGER
MOTOR LIFE

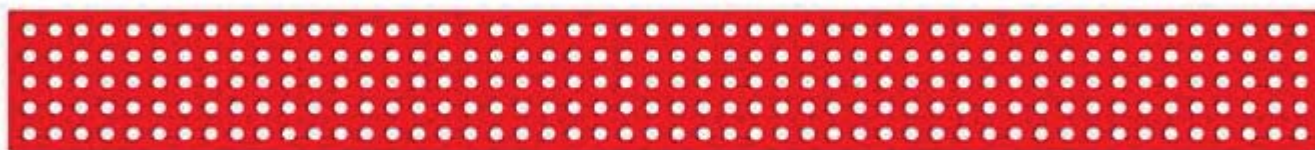
MORE
POWER

MORE
RUN-TIME

BRUSHLESS MEANS LONGER MOTOR LIFE

PROS CHOOSE MILWAUKEE® FUEL™ BECAUSE IT OUTLASTS COMPETITIVE BRUSHLESS PRODUCTS WITH UP TO 10X LONGER MOTOR LIFE.

Milwaukee®
FUEL™ 2604-22



Makita® BL™
Brushless LXT
LXPH05



LESS MOTOR WEAR = BETTER PERFORMANCE

Instead of wearable brushes, Milwaukee® engineered more steel and copper into its POWERSTATE™ brushless motor. This results in longer motor life as a result of reduced friction, less heat buildup, and higher efficiency.



MILWAUKEE® IS THE PERFORMANCE LEADER IN BRUSHLESS

- ✓ PACKED WITH 4X THE AMOUNT OF POWER GENERATING COMPONENTS
- ✓ HIGHER GRADE, RARE EARTH MAGNETS
- ✓ OVER 60% MORE TORQUE

Milwaukee® POWERSTATE™
Brushless Motor



Makita® BL™
Brushless Motor



The Milwaukee® POWERSTATE™ brushless motor has nearly 4X the amount of power generating components than Makita's LXT LXPH05 brushless hammer drill. It also carries higher-grade rare earth magnets and a higher steel and copper content, which allows the M18™ FUEL™ Hammer Drill (725 in-lbs of torque) to overpower Makita's in tough applications (400 in-lbs of torque.)

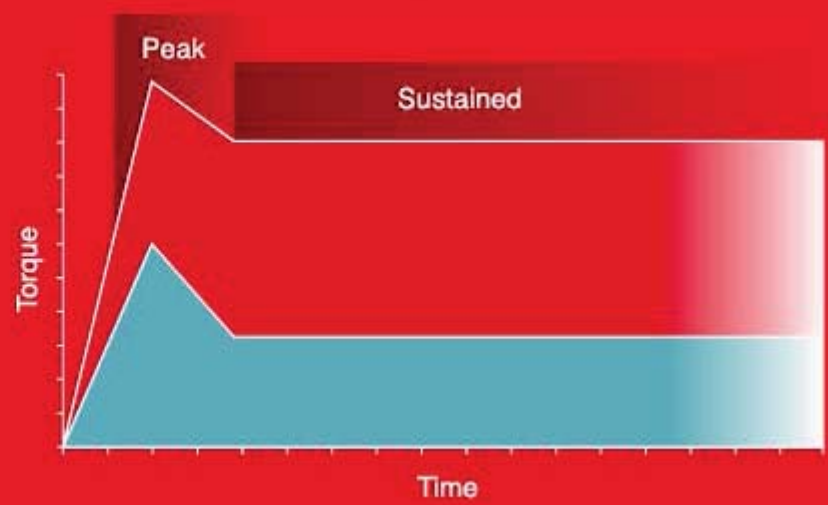
“To produce more strength...engineers at Milwaukee redesigned the motor of the new M18 FUEL drill. The result is a tool that generates about 25% more torque than the average 18 volt drill and can create big holes faster than any of them.”

Popular Science
Read the full article:
A New Motor Makes for A Stronger 18-volt Drill

OVER 60% MORE PEAK TORQUE



OVER 80% MORE POWER UNDER LOAD



BRUSHLESS MEANS MORE RUN-TIME

Milwaukee's® POWERSTATE™ brushless motor is what makes the M18™ FUEL™ 18V drills and impact drivers last longer. The POWERSTATE™ motor is also supported by the world's most advanced battery pack - REDLITHIUM™ - and system of

hardware and software - REDLINK PLUS™ Intelligence. This, three-piece, internal network is what makes the new M18™ FUEL™ brushless drills and brushless impact drivers stand out from DeWalt® 20V Max and Makita® LXT brushless tools.

Holes Drilled on Single Battery Charge



Milwaukee's® POWERSTATE™ brushless motor is what makes the M18™ FUEL™ 18V drills and impact drivers last longer. The POWERSTATE™ motor is also supported by the world's most advanced battery pack - REDLITHIUM™ - and system of hardware and software - REDLINK PLUS™ Intelligence. This, three-piece, internal network is what makes the new M18™ FUEL™ brushless drills and brushless impact drivers stand out from DeWalt® 20V Max and Makita® LXT brushless tools.



“ Combine an uber-efficient brushless motor and super-smart electronic intelligence with lithium battery power and what do you get? M18 FUEL... The benefits are lots more power, longer run time and unmatched durability - in an ever shrinking, lighter-weight tool. ”

Handyman Club of America Magazine
Tools on Steroids

BRUSHLESS COMPETITION SCORECARD

VS HIGH CAPACITY DRILLS

VS COMPACT DRILLS

VS HIGH CAPACITY IMPACTS

VS COMPACT IMPACTS

Milwaukee®

Makita®

DeWalt®



2604-22



LXPH05



BHP454



DCD985L2

HAMMER DRILL/DRIVERS

Clutch Settings	24	16	16	22
RPM	0-550 / 0-1,850	0-400 / 0-1,500	0-400 / 0-1,700	0-575 / 0-2,000
Power	725	400	560	535 UWO
BPM	31,450	25,500	25,500	34,000
Weight (lbs.)	5.0	3.8	5.0	5.3
Length	8.1"	7.625"	9.7"	9.5"
Chuck	Metal	Plastic	Metal	Metal
Tool Warranty	5 Years	3 Years	3 years	3 Years
Motor Type	POWERSTATE™ Brushless	Makita® BL Brushless	Standard	Standard
Charger	Sequential Multi-Voltage	18V Only	18V Only	20V / 12V
Side Handle	Yes	No	Yes	Yes

Milwaukee®

Makita®

DeWalt®



2603-22



BDF451



DCD980L2

DRILL/DRIVERS

Clutch Settings	24	16	22
RPM	0-550 / 0-1,850	0-300 / 0-1,700	0-575 / 0-2,000
Power	725	560	535 UWO
BPM	N/A	N/A	N/A
Weight (lbs.)	4.9	5.3	5.2
Length	7.9"	9.4"	9.3"
Chuck	Metal	Metal	Metal
Tool Warranty	5 Years	3 Years	3 years
Motor Type	POWERSTATE™ Brushless	Standard	Standard
Charger	Sequential Multi-Voltage	18V Only	20V / 12V
Side Handle	Yes	Yes	Yes

Tools with brushless motors

VS HIGH CAPACITY DRILLS

VS COMPACT DRILLS

VS HIGH CAPACITY IMPACTS

VS COMPACT IMPACTS

Milwaukee®

Makita®

DeWalt®



2604-22CT



BHP452HW



DCD785C2

HAMMER DRILL/DRIVERS

Clutch Settings	24	16	16
RPM	0-550 / 0-1,850	0-450 / 0-1,500	0-600 / 0-2,000
Power	650	480	350 UWO
BPM	31,450	22,500	34,000
Weight (lbs.)	4.5	3.7	3.5
Length	8.1"	8.8"	8.1"
Chuck	Metal	Plastic	Plastic
Tool Warranty	5 Years	3 Years	3 years
Motor Type	POWERSTATE™ Brushless	Standard	Standard
Charger	Sequential Multi-Voltage	18V Only	20V / 12V
Side Handle	Yes	No	No

Milwaukee®

Makita®

DeWalt®



2603-22CT



LXF01CW



DCD780C2

DRILL/DRIVERS

Clutch Settings	24	16	16
RPM	0-550 / 0-1,850	0-400 / 0-1,500	0-600 / 0-2,000
Power	650	480	350 UWO
BPM	N/A	N/A	N/A
Weight (lbs.)	4.4	3.3	3.4
Length	7.9"	7.6"	7.5"
Chuck	Metal	Plastic	Plastic
Tool Warranty	5 Years	3 Years	3 years
Motor Type	POWERSTATE™ Brushless	Standard	Standard
Charger	Sequential Multi-Voltage	18V Only	20V / 12V
Side Handle	Yes	No	No

Tools with brushless motors

Milwaukee®

DeWalt®

Makita®

DeWalt®

Makita®


M18 FUEL
2653-22

 Brushless
DCF895L2

 Brushless
LXDT01

 Standard
DCF885L2

 Standard
LXDT04

IMPACT DRIVERS

Speed / Torque Control	DRIVE CONTROL™	Yes	Yes	No	No
RPM	0-2900	0-2850	0-2600	0-2800	0-2300
Torque (in-lbs)	1600	1500	1460	1400	1420
IPM	0-3600	0-3300	0-3400	0-3200	0-3200
Weight (lbs.)	3.6	3.5	3.3	3.4	3.3
Length	5.5"	5.25"	5.5"	5.55"	5.45"
Tool Warranty	5 Years	3 Years	3 years	3 Years	3 years
Motor Type	POWERSTATE™ Brushless	DeWalt® Brushless	Makita® BL™ Brushless	Standard	Standard
Charger	Sequential Multi-Voltage	20V / 12V	18V Only	20V / 12V	18V Only

 Tools with brushless motors

Milwaukee®

DeWalt®

Makita®

DeWalt®


M18 FUEL
2653-22CT

 Brushless
DCF895C2

 Standard
BTD142HW

 Standard
DCF885C2

IMPACT DRIVERS

Speed / Torque Control	DRIVE CONTROL™	Yes	No	No
RPM	0-2900	0-2850	0-2300	0-2800
Torque (in-lbs)	1600	1500	1280	1400
IPM	0-3600	0-3300	0-3200	0-3200
Weight (lbs.)	3	3	2.8	2.8
Length	5.5"	5.25"	5.75"	5.55"
Tool Warranty	5 Years	3 Years	3 years	3 Years
Motor Type	POWERSTATE™ Brushless	Brushless	Standard	Standard
Charger	Sequential Multi-Voltage	20V / 12V	18V Only	20V / 12V

 Tools with brushless motors

REDLITHIUM™



NOT ALL LITHIUM-ION BATTERIES ARE CREATED EQUAL.

NOW AVAILABLE



THE WORLD'S FIRST & ONLY 18V HIGH DEMAND™ 9.0 BATTERY

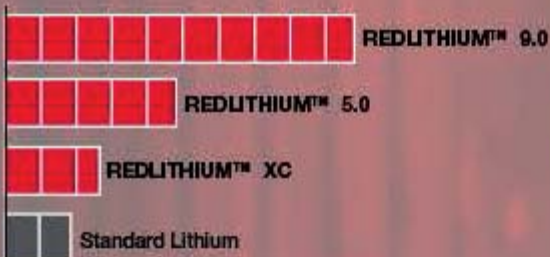
- Up to 2X the performance of REDLITHIUM™ XC 5.0
- More run-time
- More power
- Runs cooler
- Exceeds higher voltage or multi-battery platform performance
- Fits all 100+ M18™ tools

WHY REDLITHIUM™ ?

REDLITHIUM™ batteries last longer, think faster and work harder than all other professional LITHIUM-ION batteries. Our exclusive integration of chemistry, pack design and circuitry come together for superior output in the harshest environments. REDLITHIUM™ batteries deliver more work over the course of your day and over life of the battery.



MORE RUN-TIME



Cross Cuts in 2" x 12" PT Pine

MORE POWER



LONGER BATTERY LIFE



REDLITHIUM™ Performance Details



LITHIUM-ION CELLS

- Latest technology advancements provide the most energy & power output by a single cell



MOTOR

- Low-impedance, high-power cells deliver more power output to the motor
- Advanced framework of motor and electronics take advantage of increased power



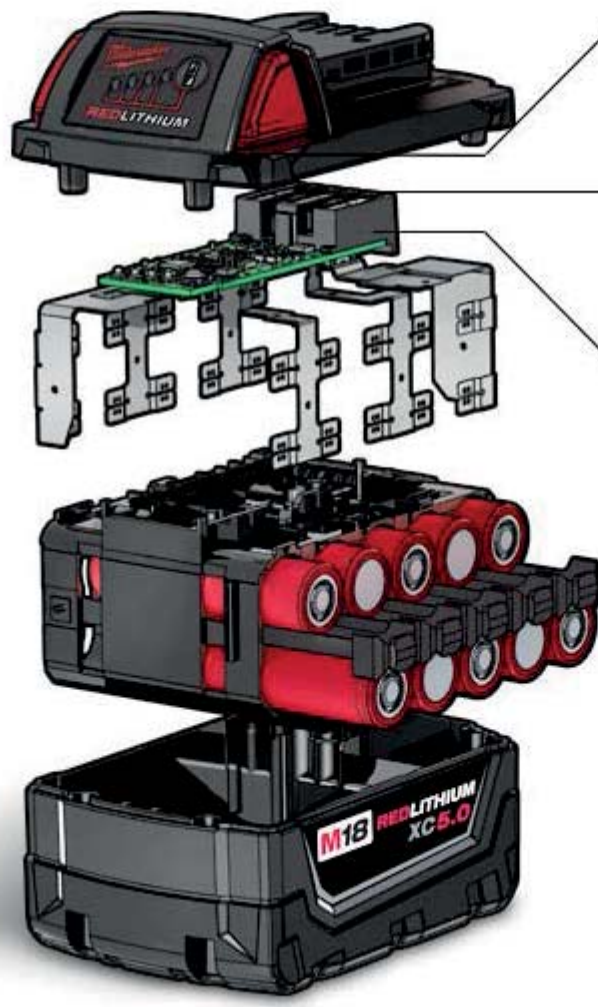
CELL, PACK CONSTRUCTION, & ELECTRONICS

- Cell chemistry minimizes energy fade
- Temp control frame pulls heat away from the cells
- Electronics control charge & discharge analytics to optimize performance and extend life

REDLITHIUM™ Protection

SUPERIOR PACK CONSTRUCTION

It lasts longer, thinks faster and works harder than standard, 18-volt lithium-ion and NiCd batteries



LATCH COVER
Prevents water from entering pack through the latch buttons

WATER PROTECTION BARRIER
Routes water away from the electronics & out of the battery pack

ELECTRONIC COATING
Protects the electronics from water and condensation

REDLITHIUM™ Protection

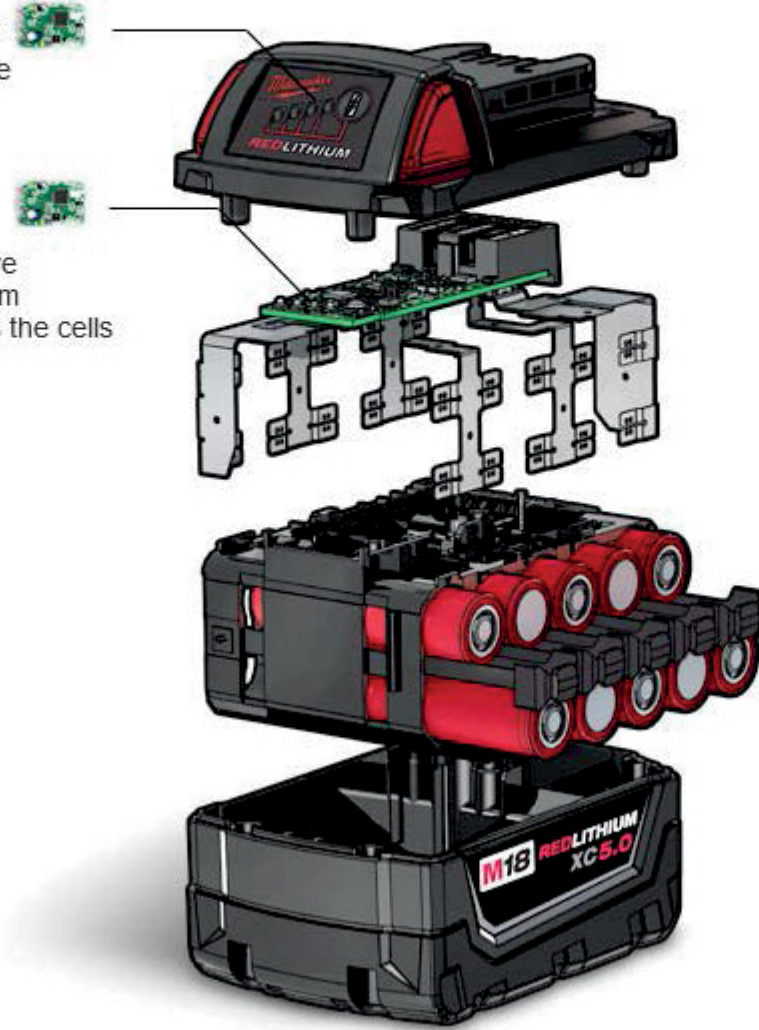
SUPERIOR PACK CONSTRUCTION

It lasts longer, thinks faster and works harder than standard, 18-volt lithium-ion and NiCd batteries



BATTERY FUEL GAUGE
Displays remaining run-time

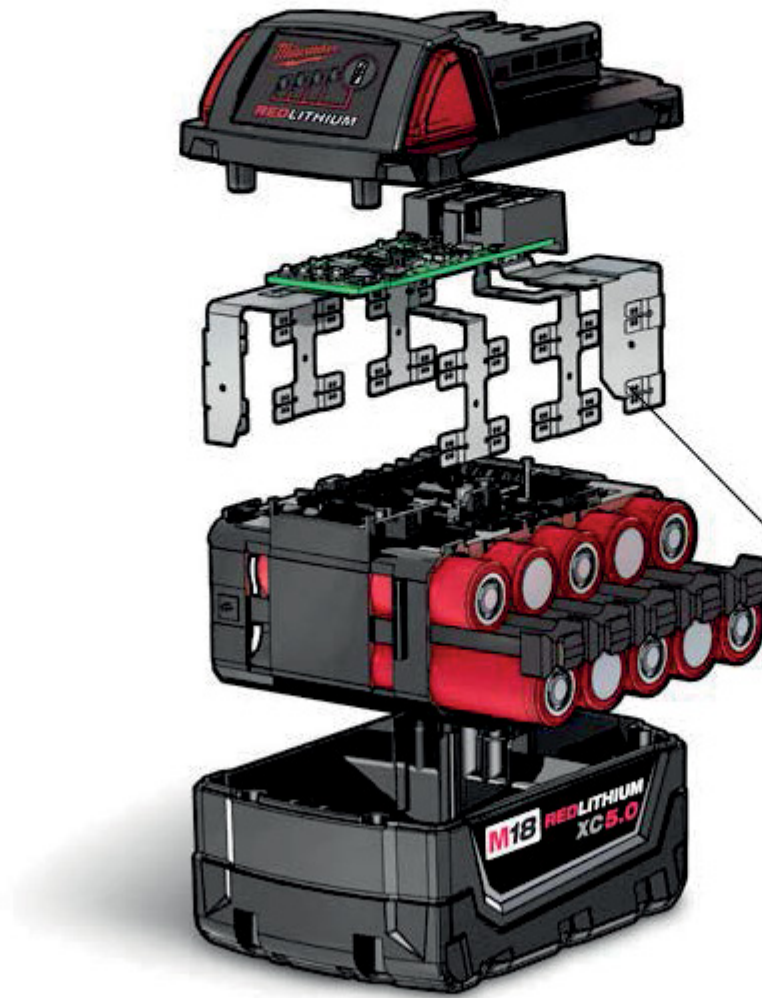
PATENTED REDLINK™ INTELLIGENCE
Protects the pack in abusive situations, provides optimum performance, and monitors the cells for maximum life



REDLITHIUM™ Protection

SUPERIOR PACK CONSTRUCTION

It lasts longer, thinks faster and works harder than standard, 18-volt lithium-ion and NiCd batteries

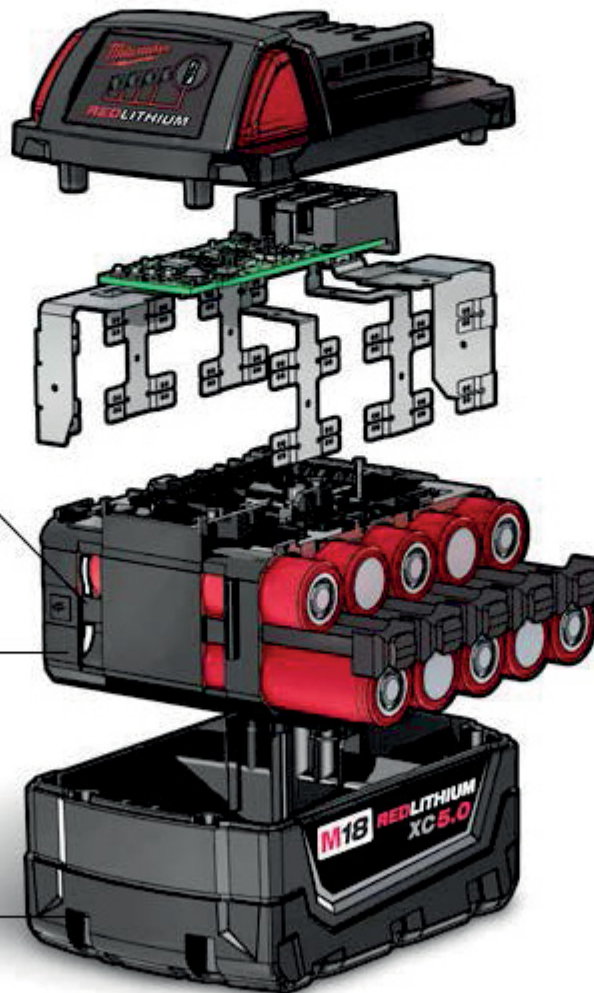


TEMP CONTROL CELL FRAME
Provides a strong structure and transfers energy efficiently for maximum life

REDLITHIUM™ Protection

SUPERIOR PACK CONSTRUCTION

It lasts longer, thinks faster and works harder than standard, 18-volt lithium-ion and NiCd batteries



SHOCK RESPONSIVE SEPARATORS ✓
Prevents pack failure from vibration or drops

SINGLE PIECE CELL CARRIER ✓
Full enclosure protects cells and provides a strong structure delivering maximum durability

RUBBER OVERMOLD ✓
Protects cells and pack during drops and provides maximum life

FULL SYSTEM COMPATIBILITY

COMPACT
Less weight and smaller size for lighter drilling and fastening



EXTENDED CAPACITY
More power and run-time, great performance for all demands



HIGH DEMAND
Best performance for high demand applications



OPTIMIZED PERFORMANCE AT EVERY LEVEL

ALL M18 REDLITHIUM BATTERIES ARE COMPATIBLE WITH ALL M18 TOOLS



LIGHT DEMAND

HEAVY DEMAND

FULL SYSTEM COMPATIBILITY

COMPACT
Less weight and smaller size for lighter drilling and fastening



EXTENDED CAPACITY
More power and run-time, great performance for all demands



HIGH DEMAND
Best performance for high demand applications



OPTIMIZED PERFORMANCE AT EVERY LEVEL

ALL M18 REDLITHIUM BATTERIES ARE COMPATIBLE WITH ALL M18 TOOLS



LIGHT DEMAND

HEAVY DEMAND

FULL SYSTEM COMPATIBILITY

COMPACT
Less weight and smaller size for lighter drilling and fastening



EXTENDED CAPACITY
More power and run-time, great performance for all demands



HIGH DEMAND
Best performance for high demand applications



OPTIMIZED PERFORMANCE AT EVERY LEVEL

ALL M18 REDLITHIUM BATTERIES ARE COMPATIBLE WITH ALL M18 TOOLS



LIGHT DEMAND

HEAVY DEMAND