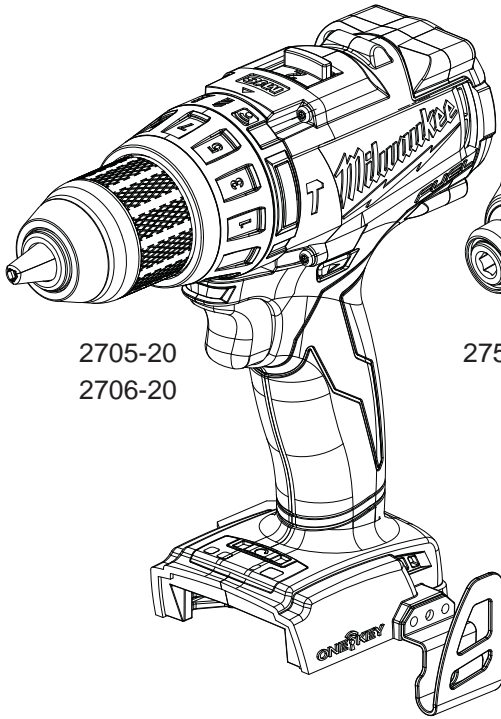




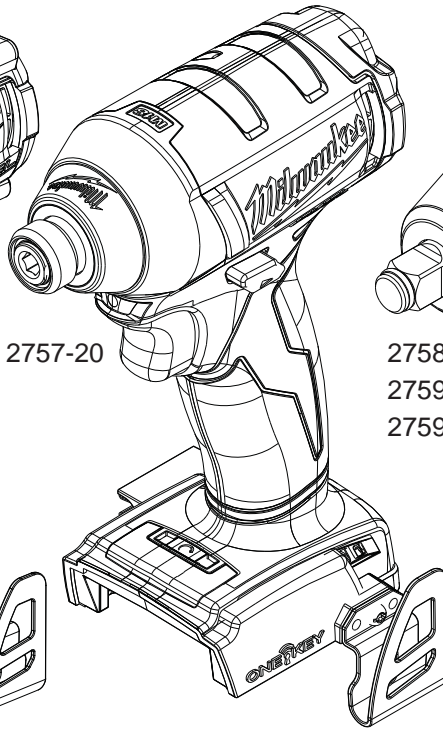
# SERVICE PARTS LIST

**BULLETIN NO.**  
**54-00-1KEY**

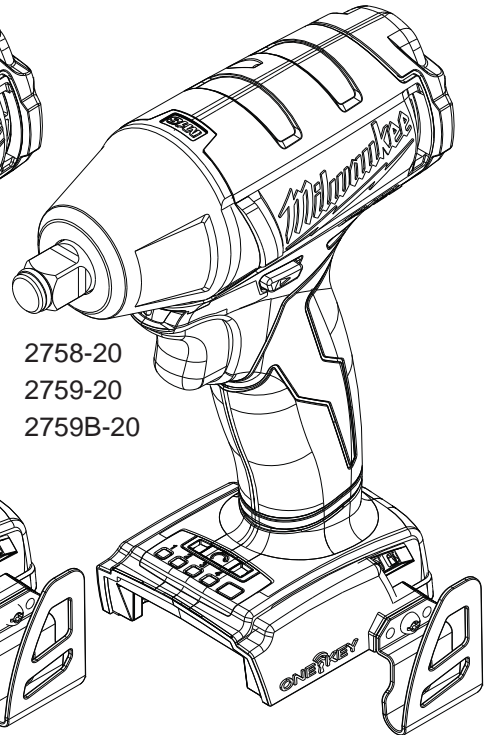
<b>SPECIFY CATALOG NO. AND SERIAL NO. WHEN ORDERING PARTS</b>		REVISED BULLETIN	DATE
<b>M18™ FUEL™ ONE KEY TOOLS</b>			Dec. 2015
<b>CATALOG NO.</b>	<b>SERIAL NUMBER</b>	<b>WIRING INSTRUCTION</b>	



2705-20  
2706-20



2757-20



2758-20  
2759-20  
2759B-20