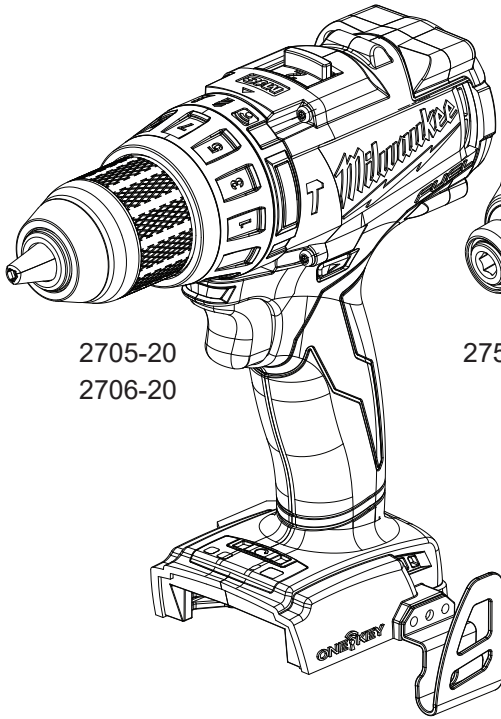




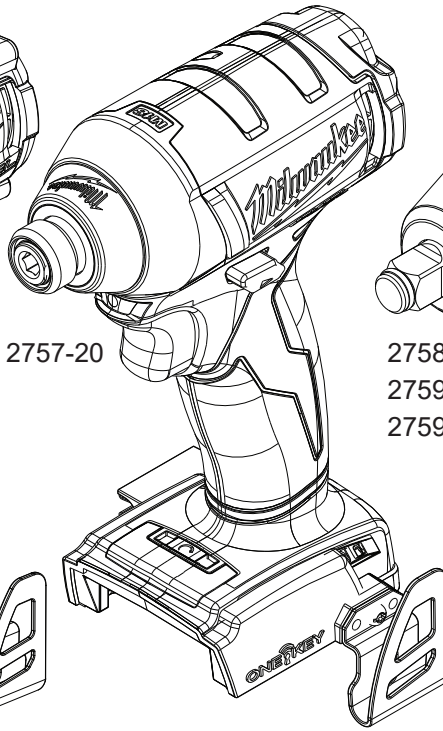
# SERVICE PARTS LIST

BULLETIN NO.  
54-00-1KEY

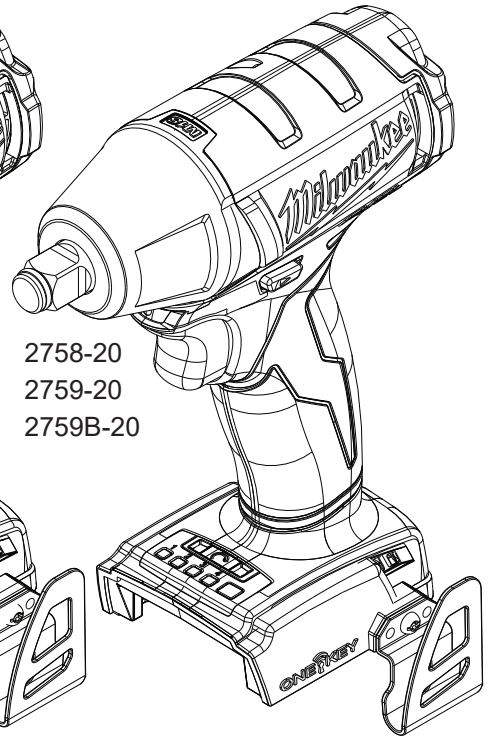
SPECIFY CATALOG NO. AND SERIAL NO. WHEN ORDERING PARTS		REVISED BULLETIN	DATE
M18™ FUEL™ ONE KEY TOOLS			Oct. 2019
CATALOG NO.	SERIAL NUMBER	WIRING INSTRUCTION	



2705-20  
2706-20



2757-20



2758-20  
2759-20  
2759B-20