

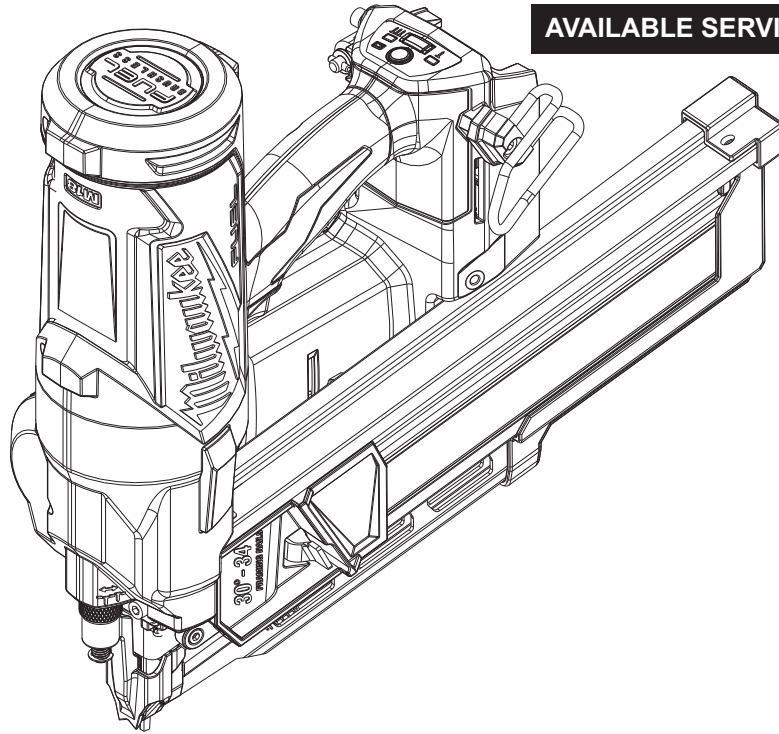


SERVICE PARTS LIST

BULLETIN NO.
54-00-2745

SPECIFY CATALOG NO. AND SERIAL NO. WHEN ORDERING PARTS		REVISED BULLETIN	DATE
M18™ FUEL™ Plastic Collated Framing Nailer			Jan. 2020
CATALOG NUMBER	2745-20	SERIAL NUMBER	K83A
WIRING INSTRUCTION			

AVAILABLE SERVICE PARTS PAGE 2 - 3



EXAMPLE:
 Component Parts (Small #) Are Included
 When Ordering The Assembly (Large #).

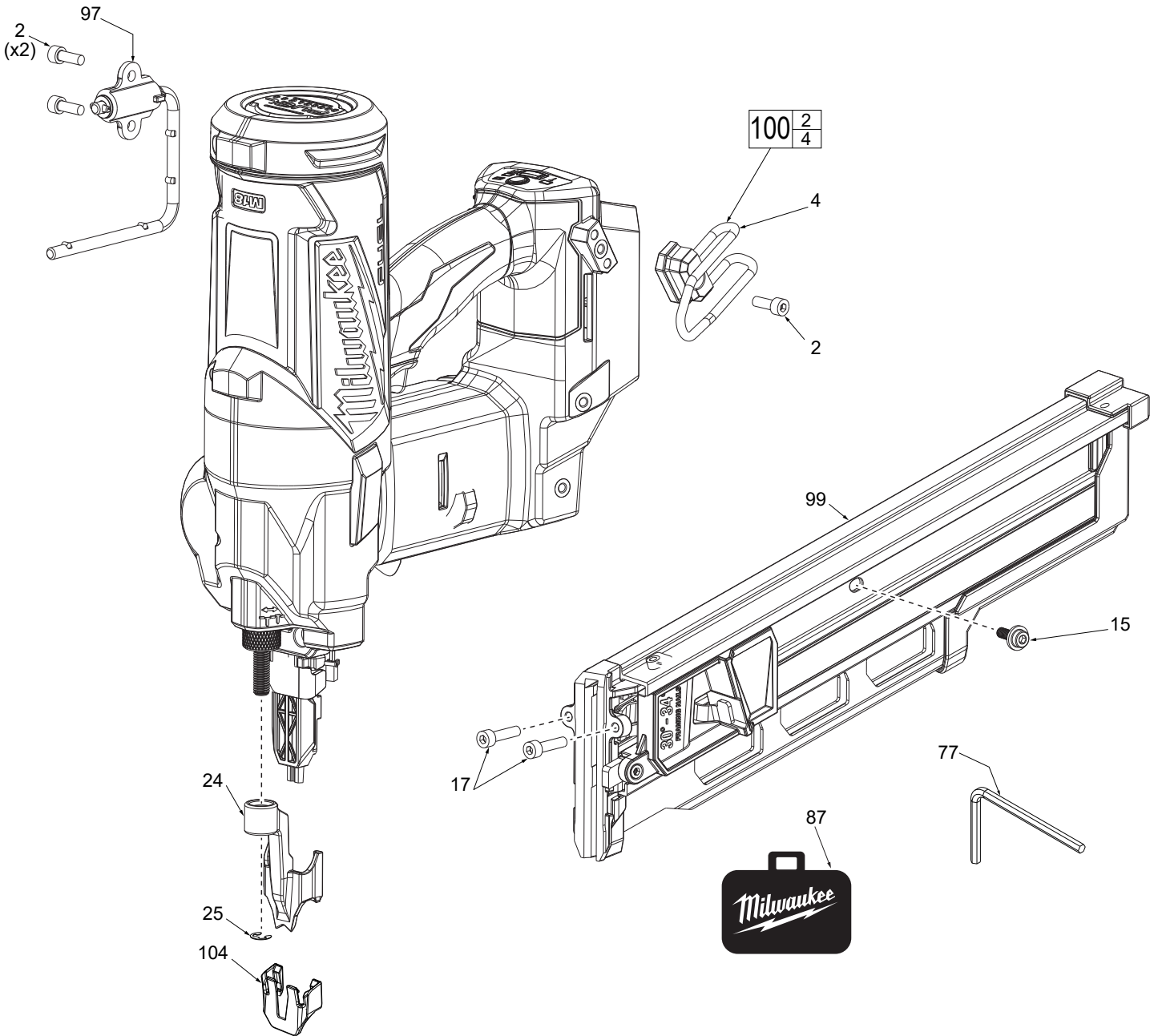
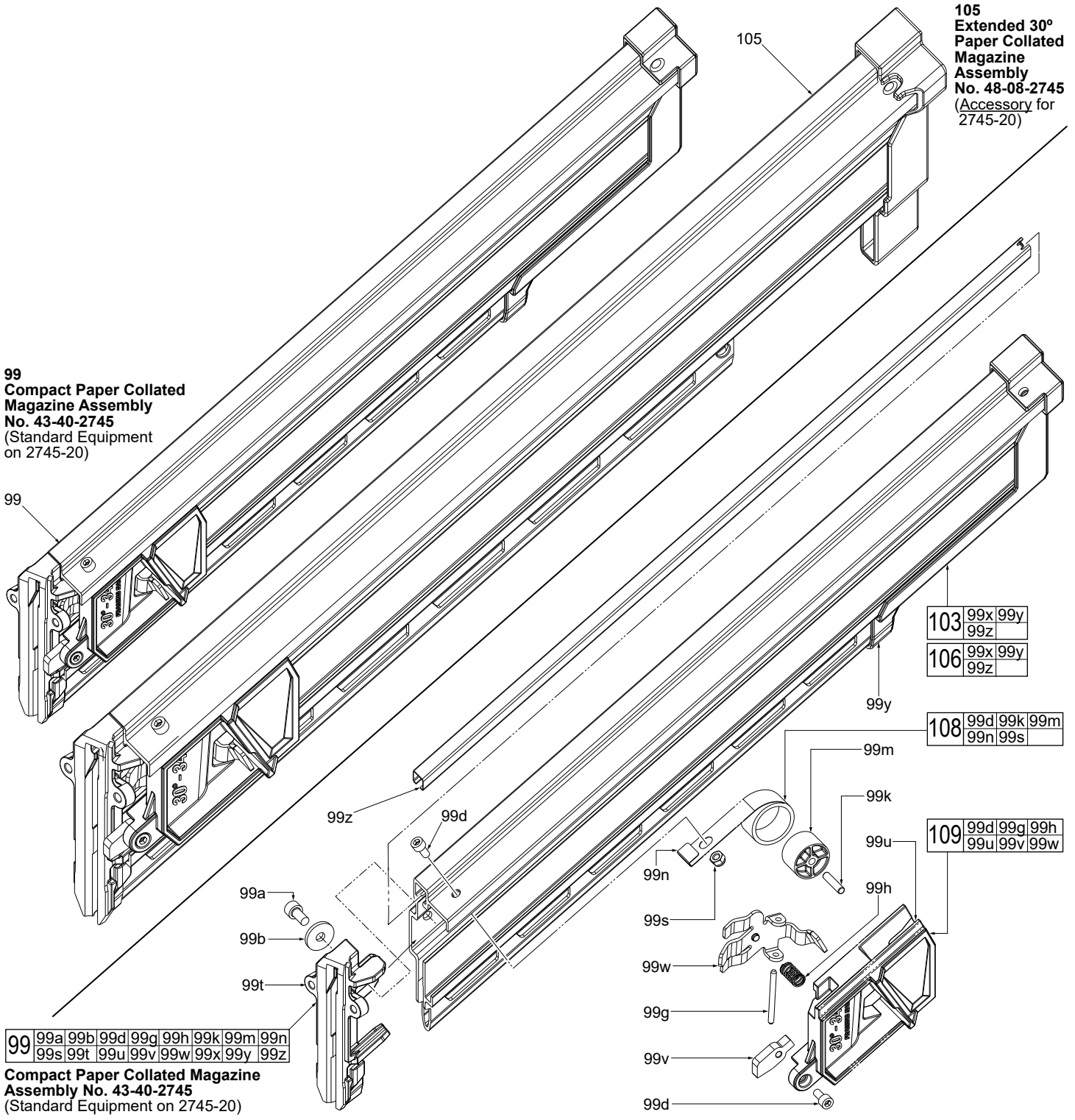


FIG.	PART NO.	DESCRIPTION OF PART	NO. REQ.
	2	05-74-0019 M5 x 14mm Cap Hd. Hex Socket Screw	(3)
	4	Belt Hook	(1)
	15	05-74-0021 M5 x 14mm Flanged Skt. Hd. Mach. Screw	(1)
	17	06-75-0062 M5 x 20mm Socket Hex Drive Mach. Screw	(2)
	24	44-62-0026 Work Piece Contact Bracket	(1)
	25	42-70-0550 E-Retaining Ring	(1)
	77	45-96-0024 Allen Wrench	(1)
	86	12-20-0220 Service Nameplate (Not Shown)	(1)
	87	42-55-0074 Tall FUEL Contractor Bag	(1)
	97	14-36-0031 Rafter Hook Assembly	(1)
	99	43-40-2745 Magazine Assy. (See page 3 for svc. parts)	(1)
	100	42-70-0024 Belt Clip Kit	(1)
	104	42-38-0026 No-Mar Pad	(1)



99
Compact Paper Collated
Magazine Assembly
No. 43-40-2745
 (Standard Equipment
 on 2745-20)

105
Extended 30°
Paper Collated
Magazine
Assembly
No. 48-08-2745
 (Accessory for
 2745-20)

99	99a	99b	99d	99g	99h	99k	99m	99n
	99s	99t	99u	99v	99w	99x	99y	99z

Compact Paper Collated Magazine
Assembly No. 43-40-2745
 (Standard Equipment on 2745-20)

103	99x	99y
	99z	

106	99x	99y
	99z	

108	99d	99k	99m
	99n	99s	

109	99d	99g	99h
	99u	99v	99w

FIG.	PART NO.	DESCRIPTION OF PART	NO. REQ.
99	43-40-2745	30°-34° Plastic Collated Magazine Assembly	(1)
99a	-----	M5 x 10mm Cap Hd. Hex Recess Mach. Sc.	(1)
99b	45-88-2045	Flat Washer	(1)
99d	-----	M4 x 8mm Cap Hd. Hex Recess Mach. Sc.	(2)
99g	-----	Slider Pin	(1)
99h	-----	Spring	(1)
99k	-----	Roller Pin	(1)
99m	-----	Roller Wheel	(1)
99n	-----	Constant Force Spring	(1)
99s	-----	Hex Nut	(1)
99t	-----	Feed Lip	(1)

FIG.	PART NO.	DESCRIPTION OF PART	NO. REQ.
99u	-----	Slider	(1)
99v	-----	Lock Out Stopper	(1)
99w	-----	Nail Pusher	(1)
99x	10-20-3202	Warning Label (Not Shown), u/o #99	(1)
99y	10-20-3119	Warning Label (Not Shown), u/o #105	(1)
99y	-----	Magazine Frame Assy. w/ Riveted End Cap	(1)
99z	-----	Nail Guide	(1)
103	43-40-2746	30°-34° Magazine Frame Assembly	(1)
105	48-08-2745	30°-34° Ext. Plastic Collated Magazine Assy.	(1)
106	43-40-2748	30°-34° Extended Magazine Frame Assy.	(1)
108	14-46-0143	Spring Roller Kit	(1)
109	44-70-2745	30°-34° Nail Pusher Assembly	(1)