

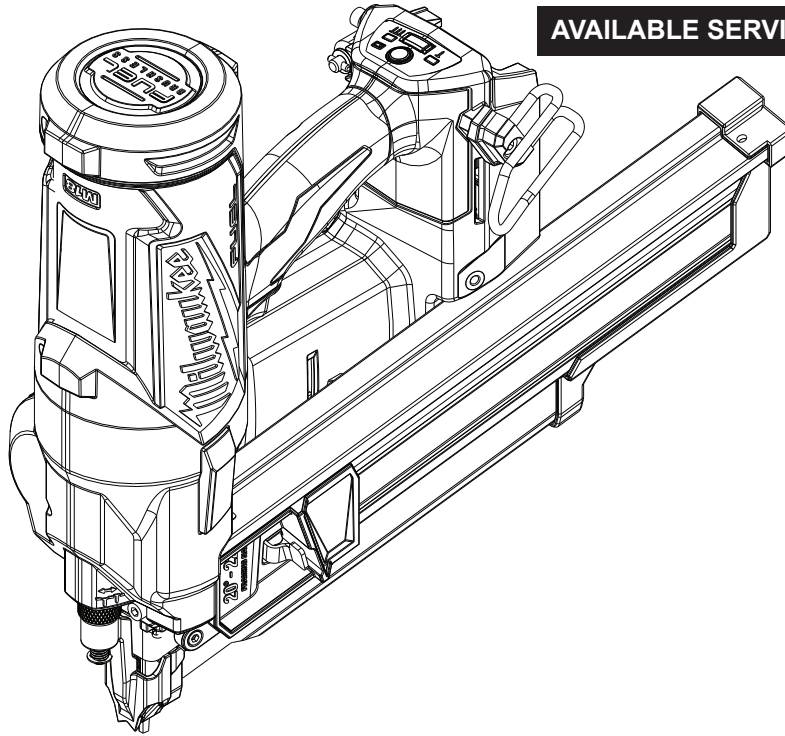


# SERVICE PARTS LIST

**BULLETIN NO.**  
**54-00-2744**

<b>SPECIFY CATALOG NO. AND SERIAL NO. WHEN ORDERING PARTS</b>			REVISED BULLETIN	DATE
<b>M18™ FUEL™ Plastic Collated Framing Nailer</b>				Oct. 2020
CATALOG NUMBER	<b>2744-20</b>	SERIAL NUMBER	<b>K82A</b>	
			WIRING INSTRUCTION	

**AVAILABLE SERVICE PARTS PAGE 2 - 3**



**EXAMPLE:**  
 Component Parts (Small #) Are Included  
 When Ordering The Assembly (Large #).

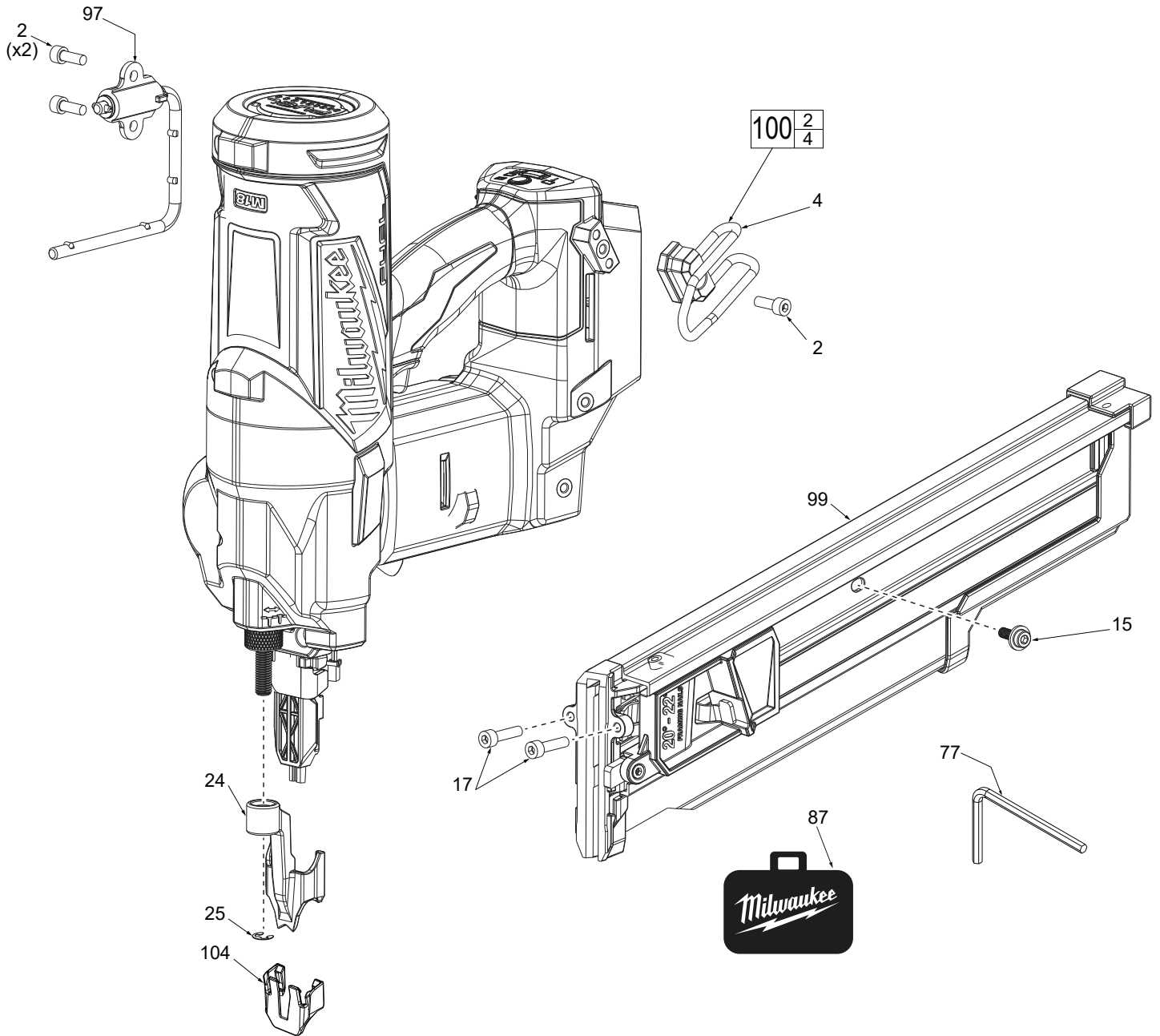
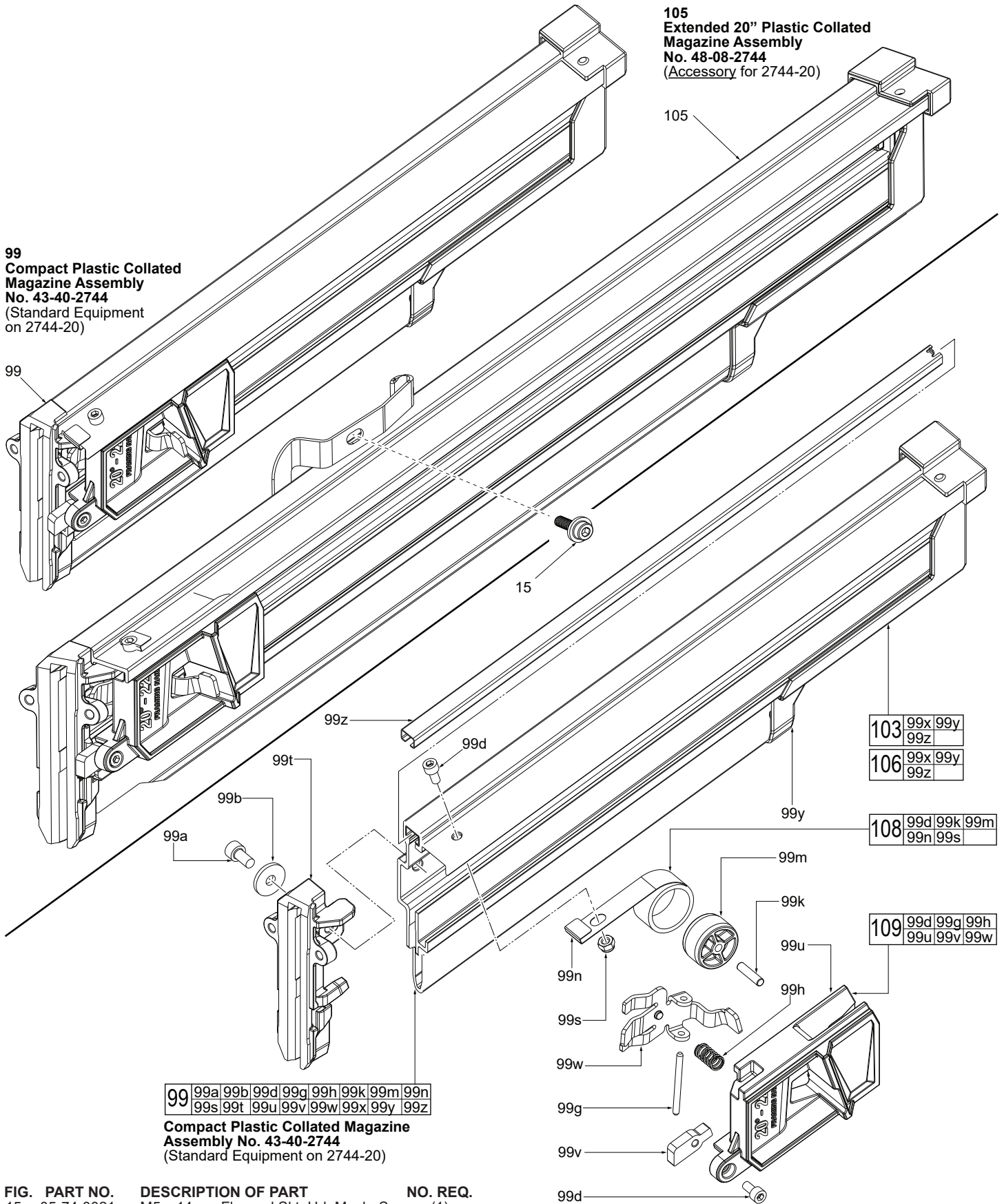


FIG.	PART NO.	DESCRIPTION OF PART	NO. REQ.
	2	05-74-0019 M5 x 14mm Cap Hd. Hex Socket Screw	(3)
	4	----- Belt Hook	(1)
	15	05-74-0021 M5 x 14mm Flanged Skt. Hd. Mach. Screw	(1)
	17	06-75-0062 M5 x 20mm Socket Hex Drive Mach. Screw	(2)
	24	44-62-0026 Work Piece Contact Bracket	(1)
	25	42-70-0550 E-Retaining Ring	(1)
	77	45-96-0024 Allen Wrench	(1)
	86	12-20-0219 Service Nameplate (Not Shown)	(1)
	87	42-55-0074 Tall FUEL Contractor Bag	(1)
	97	14-36-0031 Rafter Hook Assembly	(1)
	99	43-40-2744 Magazine Assy. (See page 3 for svc. parts)	(1)
	100	42-70-0024 Belt Clip Kit	(1)
	104	42-38-0026 No-Mar Pad	(1)



**99**  
**Compact Plastic Collated**  
**Magazine Assembly**  
**No. 43-40-2744**  
 (Standard Equipment  
 on 2744-20)

**105**  
**Extended 20° Plastic Collated**  
**Magazine Assembly**  
**No. 48-08-2744**  
 (Accessory for 2744-20)

**99** 99a 99b 99d 99g 99h 99k 99m 99n  
 99s 99t 99u 99v 99w 99x 99y 99z

**Compact Plastic Collated Magazine**  
**Assembly No. 43-40-2744**  
 (Standard Equipment on 2744-20)

FIG.	PART NO.	DESCRIPTION OF PART	NO. REQ.
15	05-74-0021	M5 x 14mm Flanged Skt. Hd. Mach. Screw	(1)
99	43-40-2744	20°-22° Plastic Collated Magazine Assembly	(1)
99a	-----	M5 x 10mm Cap Hd. Hex Recess Mach. Sc.	(1)
99b	45-88-2045	Flat Washer	(1)
99d	-----	M4 x 8mm Cap Hd. Hex Recess Mach. Sc.	(2)
99g	-----	Slider Pin	(1)
99h	-----	Spring	(1)
99k	-----	Roller Pin	(1)
99m	-----	Roller Wheel	(1)
99n	-----	Constant Force Spring	(1)
99s	-----	Hex Nut	(1)
99t	-----	Feed Lip	(1)
99u	-----	Slider	(1)

FIG.	PART NO.	DESCRIPTION OF PART	NO. REQ.
99v	-----	Lock Out Stopper	(1)
99w	-----	Nail Pusher	(1)
99x	10-20-3201	Warning Label (Not Shown), u/o #99	(1)
99x	10-20-3118	Warning Label (Not Shown), u/o #105	(1)
99y	-----	Magazine Frame Assy. w/ Riveted End Cap	(1)
99z	-----	Nail Guide	(1)
103	43-40-2749	20°-22° Magazine Frame Assembly	(1)
105	48-08-2744	20°-22° Ext. Plastic Collated Magazine Assy.	(1)
106	43-40-2747	20°-22° Extended Magazine Frame Assy.	(1)
108	14-46-0143	Spring Roller Kit	(1)
109	44-70-2744	20°-22° Nail Pusher Assembly	(1)

Learn more about power nailers we have.