



# SERVICE PARTS LIST

**BULLETIN NO.**  
**54-26-2040**

SPECIFY CATALOG NO. AND SERIAL NO. WHEN ORDERING PARTS		REVISED BULLETIN	DATE
<b>M18™ Right Angle 3/8" Square Impact Wrench</b>			Feb. 2017
CATALOG NO. <b>2668-20</b>	STARTING SERIAL NO. <b>G11A or G11B</b>	WIRING INSTRUCTION <b>See Page 2</b>	

**EXAMPLE:**  
Component Parts (Small #)  
Are Included When Ordering  
The Assembly (Large #).

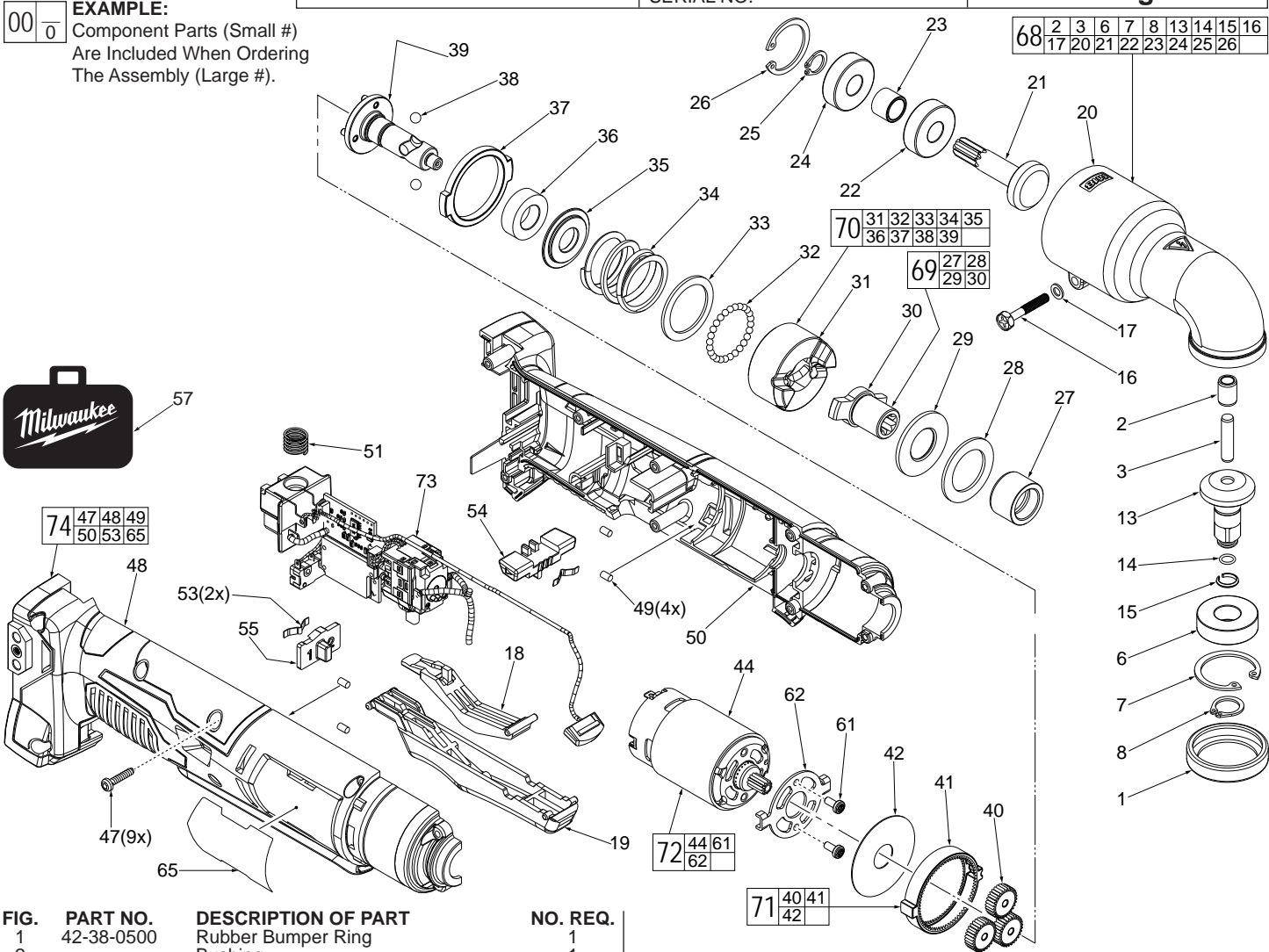


FIG.	PART NO.	DESCRIPTION OF PART	NO. REQ.
1	42-38-0500	Rubber Bumper Ring	1
2	-----	Bushing	1
3	-----	Pin	1
6	-----	Ball Bearing	1
7	-----	Retaining Ring	1
8	-----	Retaining Ring	1
13	-----	3/8" Square Bevel Gear	1
14	34-40-1885	O-Ring	1
15	44-90-1050	Friction Ring	1
16	06-82-3110	M4 x 1" Hex Hd. Phillips Screw	1
17	05-90-0225	Spring Washer	1
18	44-10-0052	Multiplier	1
19	31-92-0315	Paddle	1
20	-----	Gearcase	1
21	-----	Bevel Pinion	1
22	-----	Ball Bearing	1
23	-----	Sleeve	1
24	-----	Ball Bearing	1
25	-----	Retaining Ring	1
26	-----	Retaining Ring	1
27	-----	Anvil Bushing	1
28	-----	Washer	1
29	-----	Nylon Ring	1
30	-----	Anvil	1
31	-----	Hammer	1
32	-----	3.0mm Steel Ball	27
33	-----	Washer	1
34	-----	Hammer Spring	1
35	-----	Step Washer	1
36	-----	Ball Bearing	1
37	-----	Support Ring	1
38	-----	3/16" Steel Ball	2
39	-----	Cam Shaft	1
40	-----	Planet Gear	3
41	-----	Ring Gear	1

FIG.	PART NO.	DESCRIPTION OF PART	NO. REQ.
42	-----	Planetary Gear Washer	1
44	-----	Motor with Pinion	1
47	06-82-1080	M13 x 14mm Pan Hd. Plast. T-10 Screw	9
48	-----	Handle Halve - Right	1
49	45-30-2653	Rubber Slug	4
50	-----	Handle Halve - Left	1
51	40-50-1090	Terminal Block Spring	1
53	40-50-0027	Spring Plate	2
54	42-42-0083	Forward/Reverse Shuttle	1
55	44-10-1005	Two Speed Shuttle	1
57	42-55-2667	Blow Molded Carrying case	1
61	05-88-0926	M3 x 5mm Pan Hd. Screw	2
62	-----	Motor Mount Plate	1
65	12-20-2667	Service Nameplate	1
68	28-14-2668	3/8" Square Gearcase Assembly	1
69	42-06-1037	Anvil Assembly	1
70	43-81-0200	Hammer Assembly	1
71	14-29-1005	Planetary Gear Assembly	1
72	23-30-1040	Motor Assembly	1
73	23-66-2667	Electronics Assembly Consisting of: Switch, PCBA, LED and Terminal Connector Block	1
74	31-44-2667	Handle Halve Assembly	1

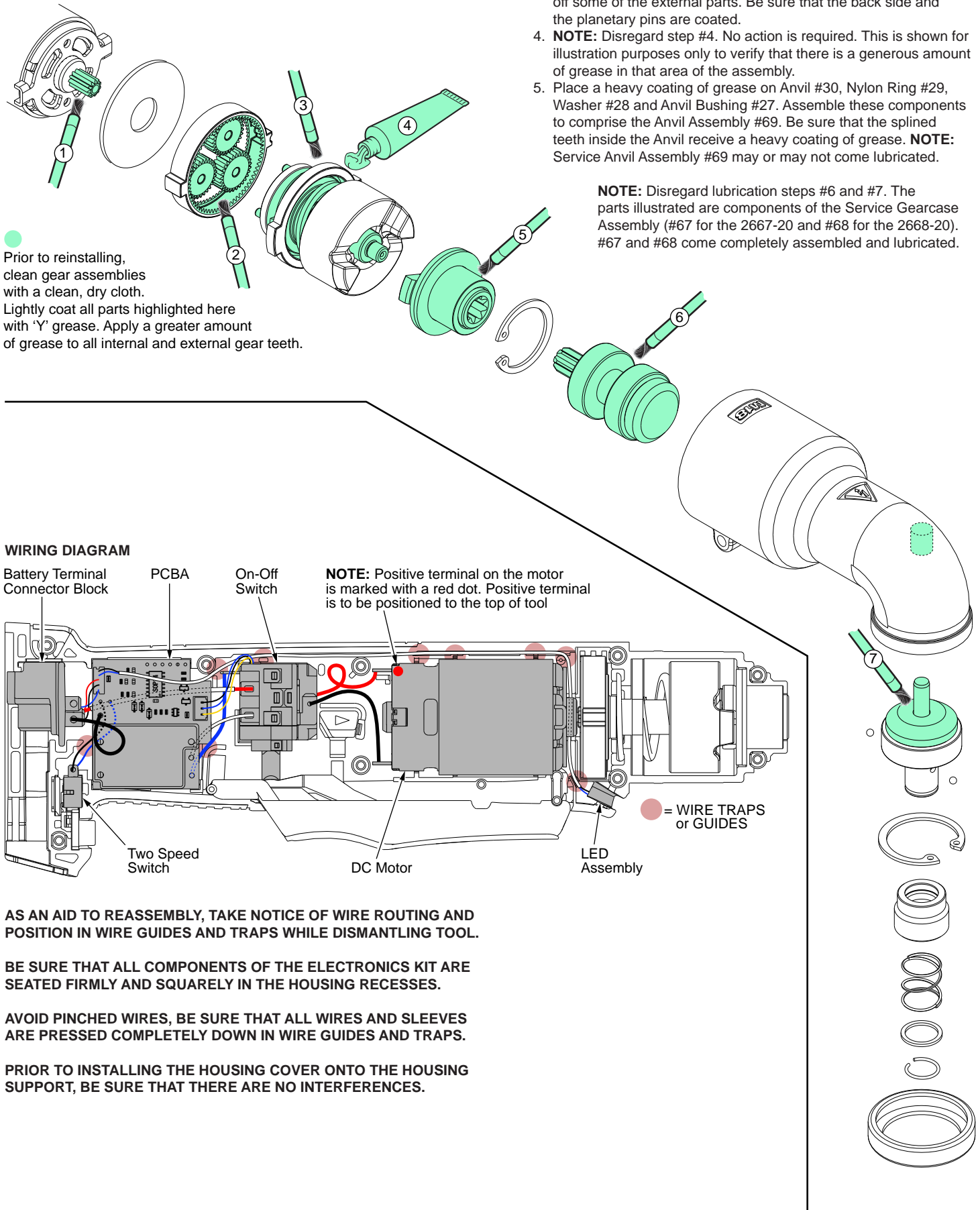
**LUBRICATION NOTES:**

Use Type 'Y' Grease, No. 49-08-5270 (6 oz. tube)  
 Total amount approx. 7.8 grams (.275 ounces)

When servicing, remove 90-95% of the existing grease prior to installing Type 'Y'.  
 Original grease maybe similar in color but not compatible with 'Y'.

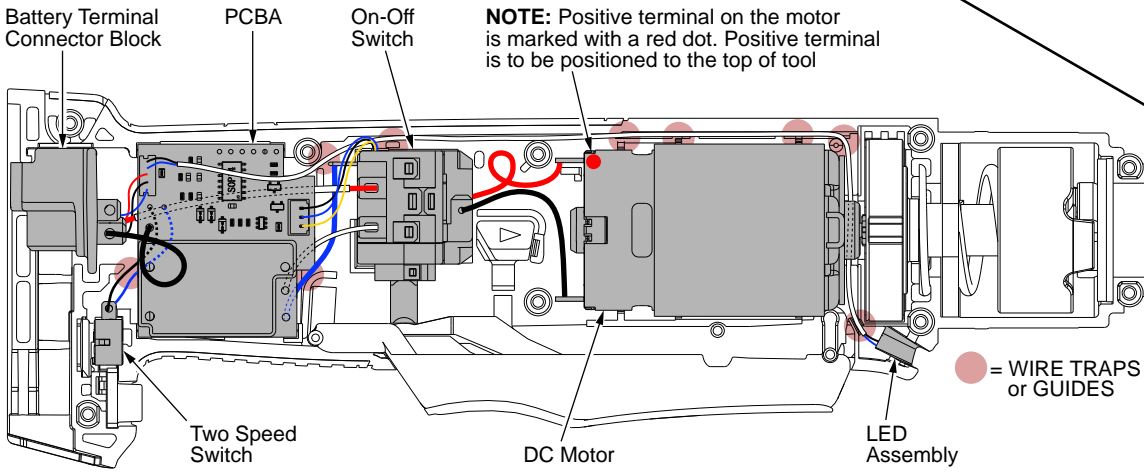
1. Coat pinion gear of Motor Assembly #44 with grease.
2. Apply a heavy coating of grease to the inside gear teeth of the Ring Gear #41. Coat all sides of the three Planetary Gears #40, being sure that all gear teeth are completely covered.
3. **NOTE:** Hammer Assembly #70 comes completely assembled and lubricated. During shipping some grease may have rubbed off some of the external parts. Be sure that the back side and the planetary pins are coated.
4. **NOTE:** Disregard step #4. No action is required. This is shown for illustration purposes only to verify that there is a generous amount of grease in that area of the assembly.
5. Place a heavy coating of grease on Anvil #30, Nylon Ring #29, Washer #28 and Anvil Bushing #27. Assemble these components to comprise the Anvil Assembly #69. Be sure that the splined teeth inside the Anvil receive a heavy coating of grease. **NOTE:** Service Anvil Assembly #69 may or may not come lubricated.

**NOTE:** Disregard lubrication steps #6 and #7. The parts illustrated are components of the Service Gearcase Assembly (#67 for the 2667-20 and #68 for the 2668-20). #67 and #68 come completely assembled and lubricated.



Prior to reinstalling, clean gear assemblies with a clean, dry cloth. Lightly coat all parts highlighted here with 'Y' grease. Apply a greater amount of grease to all internal and external gear teeth.

**WIRING DIAGRAM**



**AS AN AID TO REASSEMBLY, TAKE NOTICE OF WIRE ROUTING AND POSITION IN WIRE GUIDES AND TRAPS WHILE DISMANTLING TOOL.**

**BE SURE THAT ALL COMPONENTS OF THE ELECTRONICS KIT ARE SEATED FIRMLY AND SQUARELY IN THE HOUSING RECESSES.**

**AVOID PINCHED WIRES, BE SURE THAT ALL WIRES AND SLEEVES ARE PRESSED COMPLETELY DOWN IN WIRE GUIDES AND TRAPS.**

**PRIOR TO INSTALLING THE HOUSING COVER ONTO THE HOUSING SUPPORT, BE SURE THAT THERE ARE NO INTERFERENCES.**