



# SERVICE PARTS LIST

**BULLETIN NO.**  
**54-06-2640**

| SPECIFY CATALOG NO. AND SERIAL NO. WHEN ORDERING PARTS |                      | REVISED BULLETIN          | DATE      |
|--|----------------------|---------------------------|-----------|
| <b>M18 CORDLESS CAULK and ADHESIVE GUN</b>             |                      |                           | Feb. 2013 |
| <b>CAT. NO. 2640-20</b> (Bare Tool)                    | <b>SERIAL NUMBER</b> | <b>WIRING INSTRUCTION</b> |           |
|  | <b>D15A</b>          | <b>SEE PAGE 3</b>         |           |

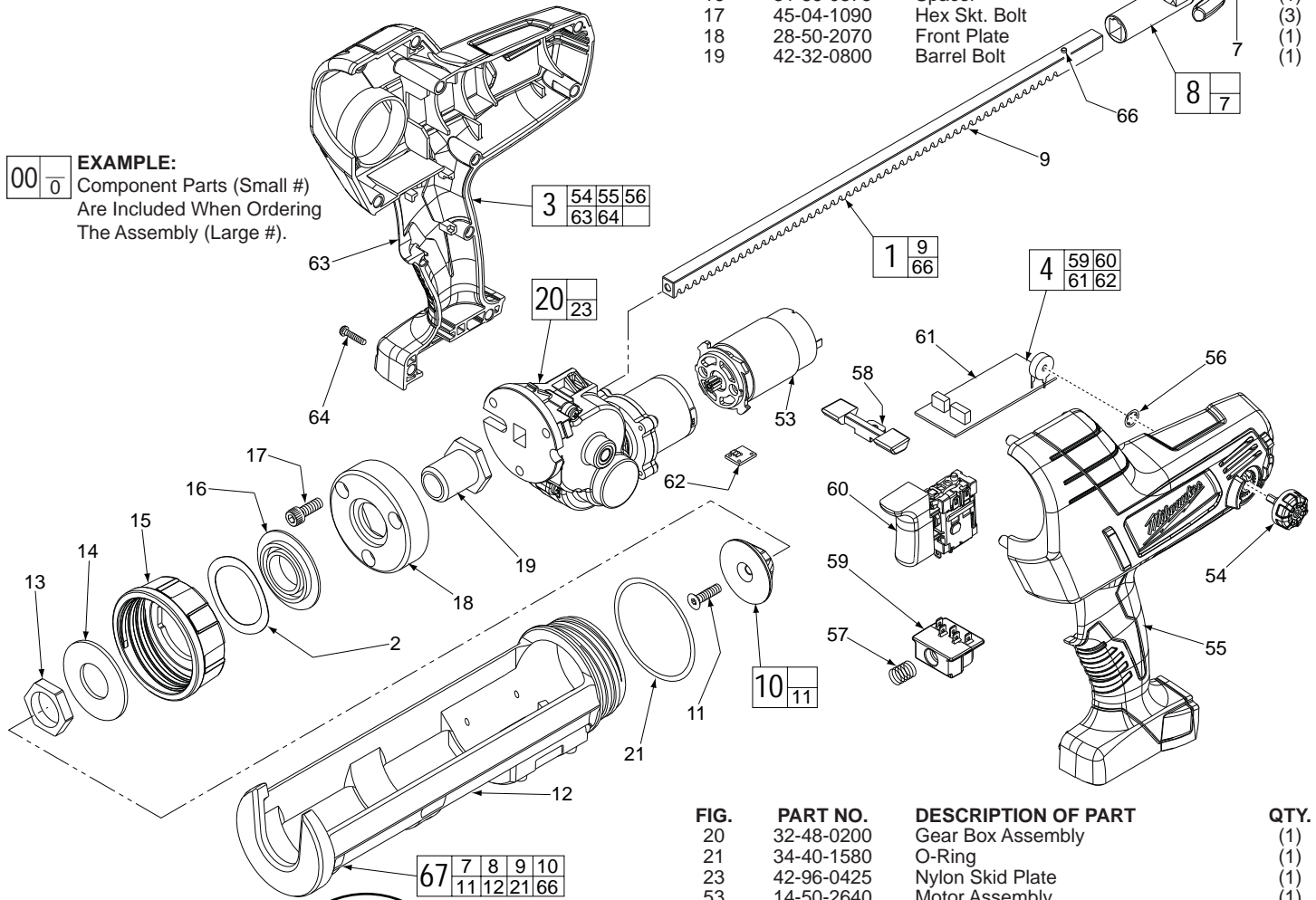
**SEE PAGE TWO FOR THE PARTS BREAKDOWN OF THE LARGER 20 OZ. AND QUART CARTRIDGE SYSTEMS**

**CAT. NO. 2641-21CT:**  
Contains 2640-20 and the 10 oz. Quick Change Cartridge Kit shown below.

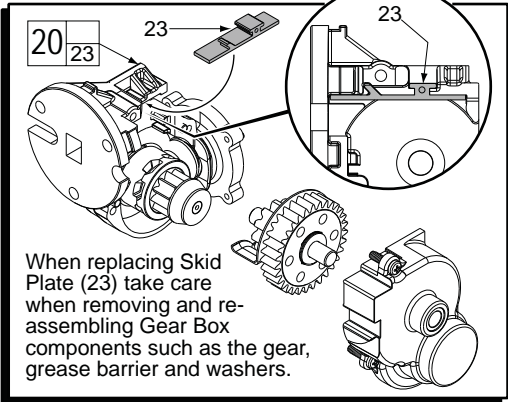
**CAT. NO. 2642-21CT:**  
Contains 2640-20 and the 20 oz. Aluminum Sausage Cartridge Kit (48-08-1093)

**CAT. NO. 2643-21CT:**  
Contains 2640-20 and the 20 oz. Clear Sausage Cartridge Kit (48-08-1094)

| FIG. | PART NO.   | DESCRIPTION OF PART                      | QTY. |
|------|------------|--|------|
| 1    | 44-94-0660 | 10 oz. Rod Assembly (Incl. rod & magnet) | (1)  |
| 2    | 45-88-2640 | Wave Washer                              | (1)  |
| 3    | 31-50-2100 | Handle Assembly with Speed Dial          | (1)  |
| 4    | 23-66-2645 | Switch Assembly with PCBA                | (1)  |
| 7    | 45-04-2050 | M5 x .75 Flat Hd. T-25 Security Screw    | (1)  |
| 8    | 31-44-1030 | Rod Handle                               | (1)  |
| 9    | -----      | Rod for 10 oz. Cartridge                 | (1)  |
| 10   | 44-70-0330 | 10 oz. Plunger                           | (1)  |
| 11   | 45-04-2015 | M5 x .625 Flat Hd. Phillips Screw        | (1)  |
| 12   | 31-01-1800 | 10 oz. Cartridge Holder                  | (1)  |
| 13   | 44-40-0900 | Barrel Nut                               | (1)  |
| 14   | 45-88-1495 | Flat Washer                              | (1)  |
| 15   | 42-52-0440 | Cartridge Cap                            | (1)  |
| 16   | 31-86-0375 | Spacer                                   | (1)  |
| 17   | 45-04-1090 | Hex Skt. Bolt                            | (3)  |
| 18   | 28-50-2070 | Front Plate                              | (1)  |
| 19   | 42-32-0800 | Barrel Bolt                              | (1)  |



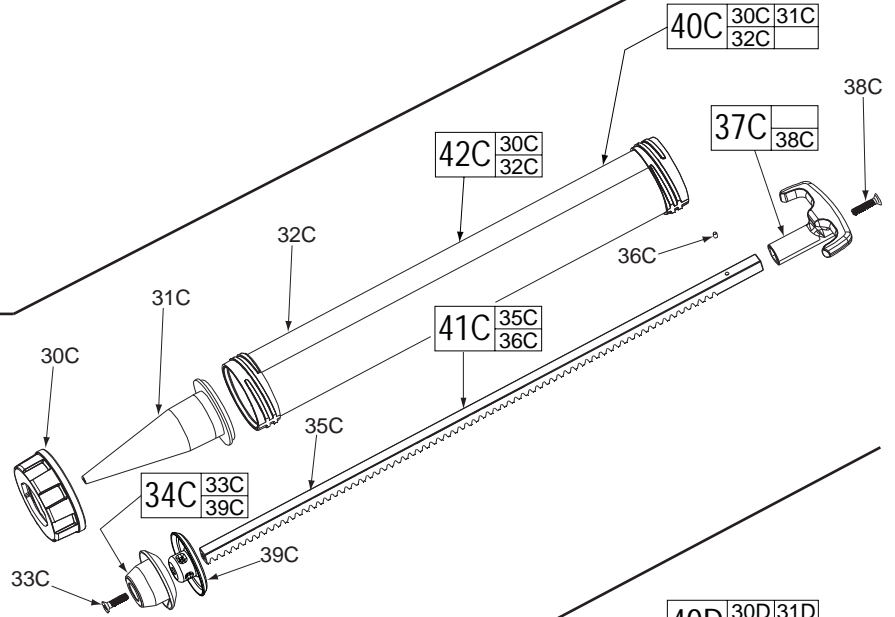
| FIG. | PART NO.   | DESCRIPTION OF PART              | QTY. |
|------|------------|----------------------------------|------|
| 20   | 32-48-0200 | Gear Box Assembly                | (1)  |
| 21   | 34-40-1580 | O-Ring                           | (1)  |
| 23   | 42-96-0425 | Nylon Skid Plate                 | (1)  |
| 53   | 14-50-2640 | Motor Assembly                   | (1)  |
| 54   | 43-98-0780 | Speed Dial                       | (1)  |
| 55   | -----      | Left Handle Halve                | (1)  |
| 56   | 42-70-1125 | Retainer/External Nut            | (1)  |
| 57   | 40-50-1090 | Terminal Block Spring            | (1)  |
| 58   | 45-24-1250 | Shuttle Lock                     | (1)  |
| 59   | -----      | Terminal Block                   | (1)  |
| 60   | -----      | Switch                           | (1)  |
| 61   | -----      | PCBA                             | (1)  |
| 62   | -----      | Hall Sensor (Electronic Switch)  | (1)  |
| 63   | -----      | Right Handle Halve               | (1)  |
| 64   | 06-82-2025 | Pan Hd. Plastite T-10 Screw      | (12) |
| 66   | -----      | Rod Magnet                       | (1)  |
| 67   | 48-08-1076 | 10 oz. Quick Change Carriage Kit | (1)  |
|      | 12-20-2640 | Service Nameplate (Not Shown)    | (1)  |



**CAT. No. 2642-21CT**  
 Contains the 2640-20 (bare tool) and the cartridge system below.

**20 Oz. ALUMINUM SAUSAGE CARTRIDGE KIT**  
 Cat. No. 48-08-1093

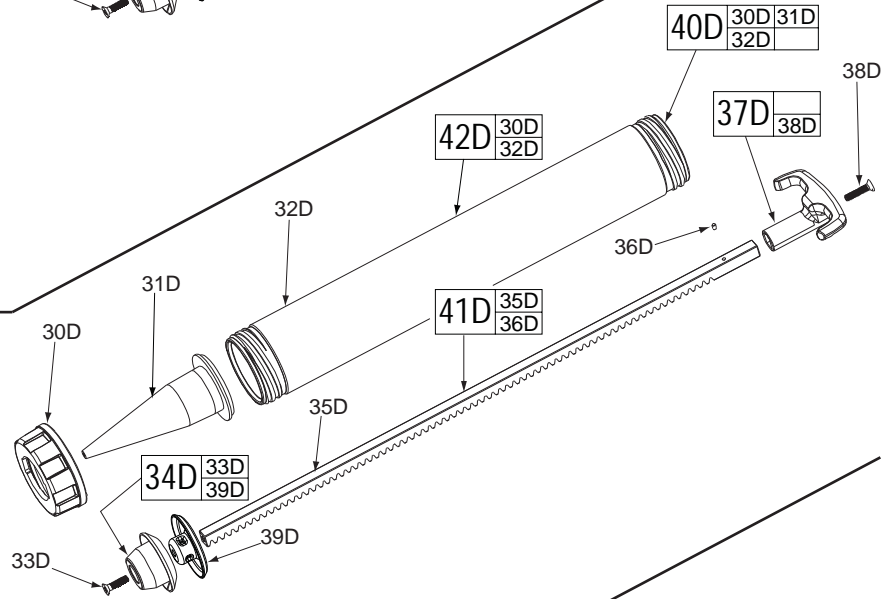
| Fig. | Part No.   | Description of Part                |
|------|------------|------------------------------------|
| 30C  | 42-52-0440 | Cartridge Cap                      |
| 31C  | 31-12-0700 | Nozzle - Black                     |
| 32C  | -----      | 20 oz. Aluminum Barrel             |
| 33C  | 45-04-2015 | Plunger Screw                      |
| 34C  | 44-70-0375 | Sausage Plunger                    |
| 35C  | -----      | Plunger Rod                        |
| 36C  | -----      | Magnet                             |
| 37C  | 31-44-1030 | Plunger Handle                     |
| 38C  | 45-04-2050 | Handle Screw                       |
| 39C  | -----      | Plunger Back Plate                 |
| 40C  | 48-08-1091 | 20 oz. Aluminum Sausage Barrel Kit |
| 41C  | 44-94-0675 | 20 oz. Plunger Rod Assembly        |
| 42C  | 45-76-0900 | 20 oz. Aluminum Barrel Assembly    |



**CAT. No. 2643-21CT**  
 Contains the 2640-20 (bare tool) and the cartridge system below.

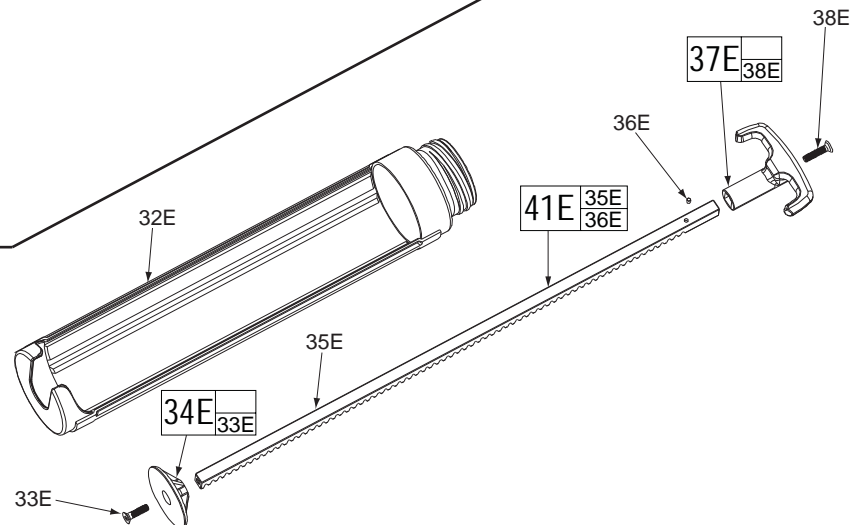
**20 Oz. CLEAR (Plastic) SAUSAGE CARTRIDGE KIT**  
 Cat. No. 48-08-1094

| Fig. | Part No.   | Description of Part                    |
|------|------------|--|
| 30D  | 42-52-0440 | Cartridge Cap                          |
| 31D  | 31-12-0700 | Nozzle - Black                         |
| 32D  | -----      | 20 oz. Clear (Plastic) Barrel          |
| 33D  | 45-04-2015 | Plunger Screw                          |
| 34D  | 44-70-0375 | Sausage Plunger                        |
| 35D  | -----      | Plunger Rod                            |
| 36D  | -----      | Magnet                                 |
| 37D  | 31-44-1030 | Plunger Handle                         |
| 38D  | 45-04-2050 | Handle Screw                           |
| 39D  | -----      | Plunger Back Plate                     |
| 41D  | 44-94-0675 | 20 oz. Plunger Rod Assembly            |
| 42D  | 45-76-0925 | 20 oz. Clear (Plastic) Barrel Assembly |
| 40D  | 48-08-1096 | 20 oz. Clear (Plastic) Barrel Kit      |



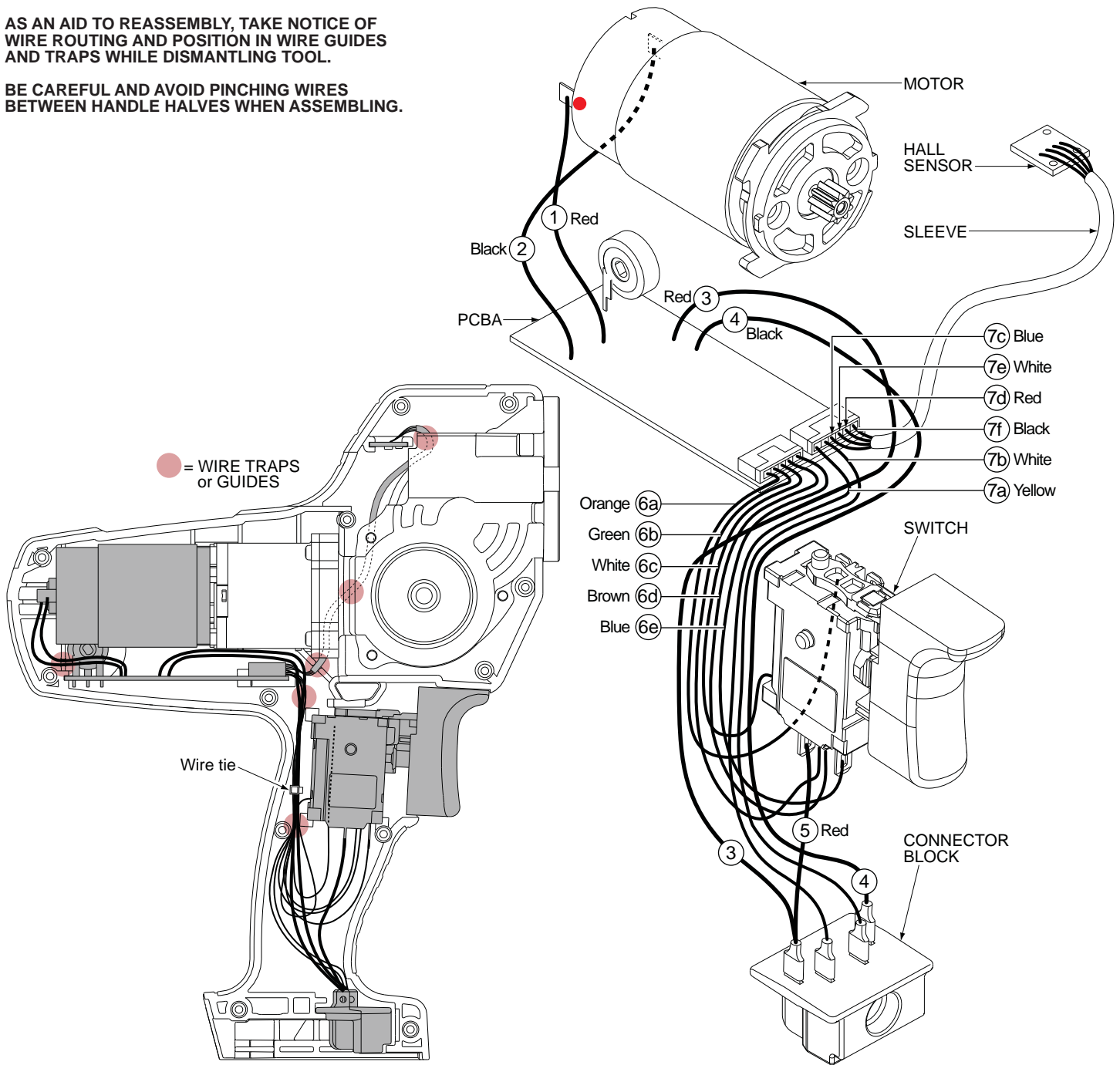
**CAT. No. 48-08-1095**  
**QUART CARTRIDGE CARRIAGE**  
 and corresponding components

| Fig. | Part No.   | Description of Part        |
|------|------------|----------------------------|
| 32E  | 31-01-1810 | Quart Cartridge Carriage   |
| 33E  | 45-04-2015 | Plunger Screw              |
| 34E  | 44-70-0340 | Quart Plunger              |
| 35E  | -----      | Plunger Rod                |
| 36E  | -----      | Magnet                     |
| 37E  | 31-44-1030 | Plunger Handle             |
| 38E  | 45-04-2050 | Handle Screw               |
| 41E  | 44-94-0680 | Quart Plunger Rod Assembly |



AS AN AID TO REASSEMBLY, TAKE NOTICE OF WIRE ROUTING AND POSITION IN WIRE GUIDES AND TRAPS WHILE DISMANTLING TOOL.

BE CAREFUL AND AVOID PINCHING WIRES BETWEEN HANDLE HALVES WHEN ASSEMBLING.



### WIRING SPECIFICATIONS

| Wire No. | Wire Color | Origin or Part No. | Gauge | Length | Terminals, Connectors and End Wire Preparation  |
|----------|------------|--------------------|-------|--------|---|
| 1        | Red        | 23-66-2645         | ----  | ----   | Component of PCBA on Switch Assembly. Solder to right terminal on motor (marked with red dot).    |
| 2        | Black      | 23-66-2645         | ----  | ----   | Component of PCBA on Switch Assembly. Solder to left terminal on motor.                           |
| 3        | Red        | 23-66-2645         | ----  | ----   | Component of PCBA on Switch Assembly. Attached to PCBA and wire #5 on connector block.            |
| 4        | Black      | 23-66-2645         | ----  | ----   | Component of PCBA on Switch Assembly. Attached to PCBA and connector block.                       |
| 5        | Red        | 23-66-2645         | ----  | ----   | Component of Switch Assembly. Attached to switch and wire #3 at the connector block.              |
| 6a       | Orange     | 23-66-2645         | ----  | ----   | Component of Switch Assy. Part of a 5 wire terminal block connecting to the PCBA and switch.      |
| 6b       | Green      | 23-66-2645         | ----  | ----   | Component of Switch Assy. Part of a 5 wire terminal block connecting to the PCBA and switch.      |
| 6c       | White      | 23-66-2645         | ----  | ----   | Component of Switch Assy. Part of a 5 wire terminal block connecting to the PCBA and switch.      |
| 6d       | Brown      | 23-66-2645         | ----  | ----   | Component of Switch Assy. Part of a 5 wire terminal block connecting to the PCBA and switch.      |
| 6e       | Blue       | 23-66-2645         | ----  | ----   | Component of Switch Assy. Part of a 5 wire terminal block connecting to the PCBA and switch.      |
| 7a       | Yellow     | 23-66-2645         | ----  | ----   | Comp. of Switch Assy. Part of a 6 wire terminal block connecting to the PCBA and connector block. |
| 7b       | White      | 23-66-2645         | ----  | ----   | Comp. of Switch Assy. Part of a 6 wire terminal block connecting to the PCBA and connector block. |
| 7c       | Blue       | 23-66-2645         | ----  | ----   | Comp. of Switch Assy. Part of a 6 wire terminal block connecting to the PCBA and hall sensor.     |
| 7d       | Red        | 23-66-2645         | ----  | ----   | Comp. of Switch Assy. Part of a 6 wire terminal block connecting to the PCBA and hall sensor.     |
| 7e       | White      | 23-66-2645         | ----  | ----   | Comp. of Switch Assy. Part of a 6 wire terminal block connecting to the PCBA and hall sensor.     |
| 7f       | Black      | 23-66-2645         | ----  | ----   | Comp. of Switch Assy. Part of a 6 wire terminal block connecting to the PCBA and hall sensor.     |