



SERVICE PARTS LIST

BULLETIN NO.
54-06-2615

SPECIFY CATALOG NO. AND SERIAL NO. WHEN ORDERING PARTS		REVISED BULLETIN	DATE
18 VOLT 3/8" RAD DRILL			Oct. 2010
CATALOG NO.	2615-20	STARTING SERIAL NO.	C60A
		WIRING INSTRUCTION SEE REVERSE SIDE	

EXAMPLE:

00	0
----	---

 Component Parts (Small #) Are Included When Ordering The Assembly (Large #).

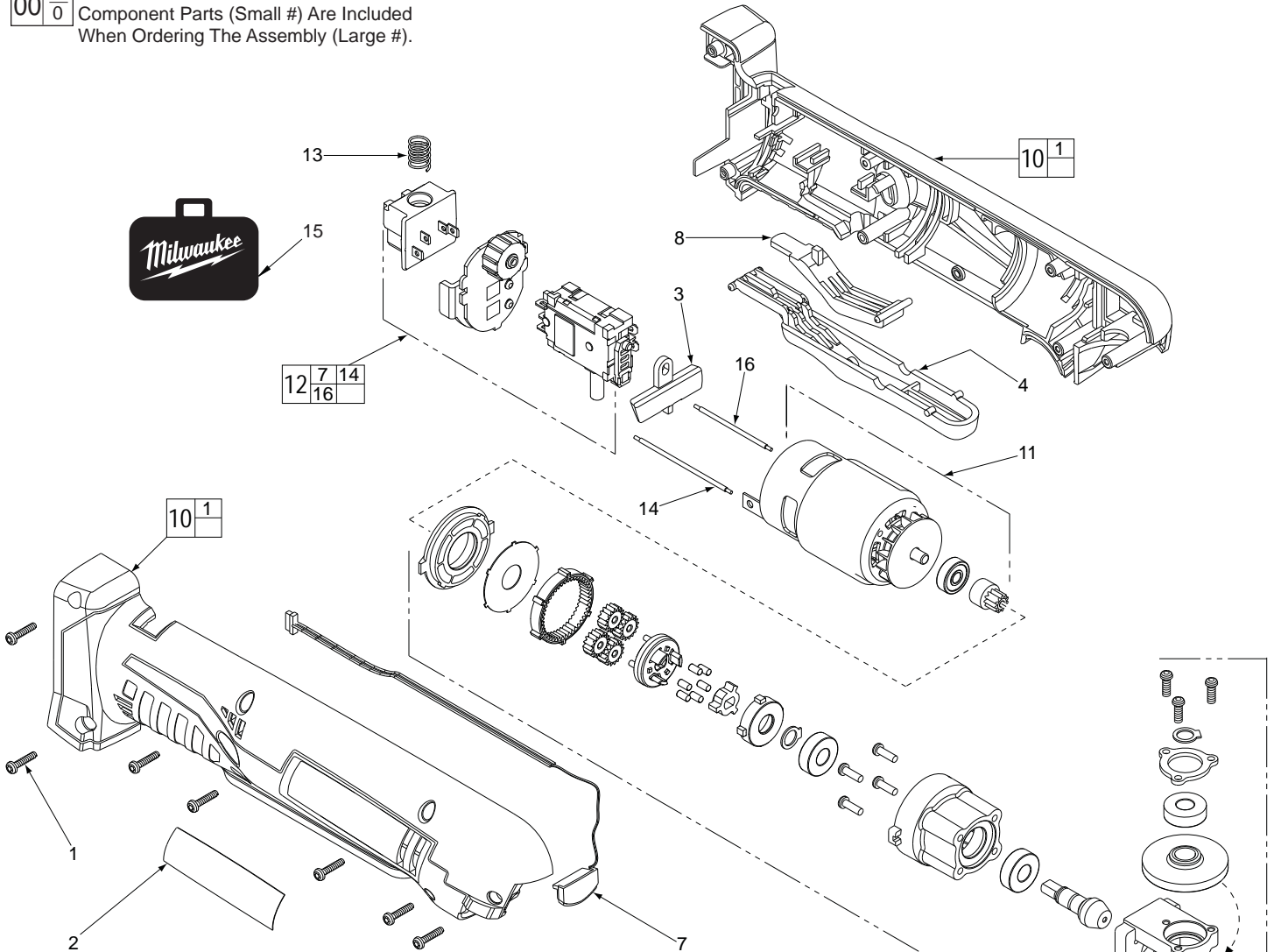
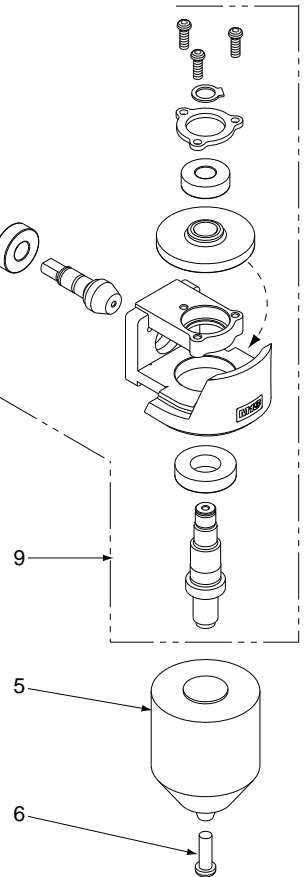
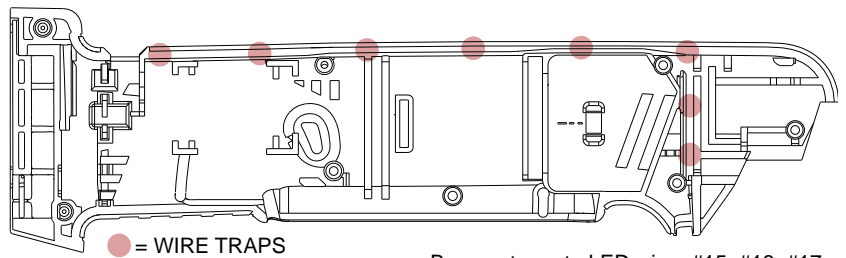
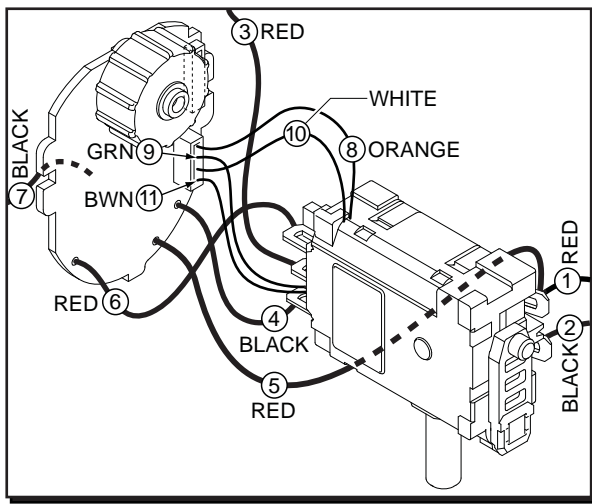


FIG.	PART NO.	DESCRIPTION OF PART	NO. REQ.
1	06-82-1080	M3 x 14 ST Housing Screw	(7)
2	12-20-2615	Service Nameplate Kit	(1)
3	31-52-0300	Forward / Reverse Lever	(1)
4	31-92-0350	Paddle Trigger	(1)
5	42-66-0855	3/8" Chuck	(1)
6	05-88-1500	M6 LH Chuck Screw	(1)
7	-----	LED Assembly	(1)
8	31-92-0355	Trigger Lever	(1)
9	14-29-0525	Gearcase Assembly	(1)
10	31-44-1010	Housing Half Assembly	(1)
11	14-50-1000	Motor Assembly	(1)
12	23-66-2835	Switch Assembly	(1)
13	40-50-1090	Compression Spring	(1)
14	-----	Red Leadwire (3", 14 Gauge)	(1)
15	42-55-2495	Blow Molded Carrying Case, (Optional)	(1)
16	-----	Black Leadwire (1-3/4", 14 Gauge)	(1)

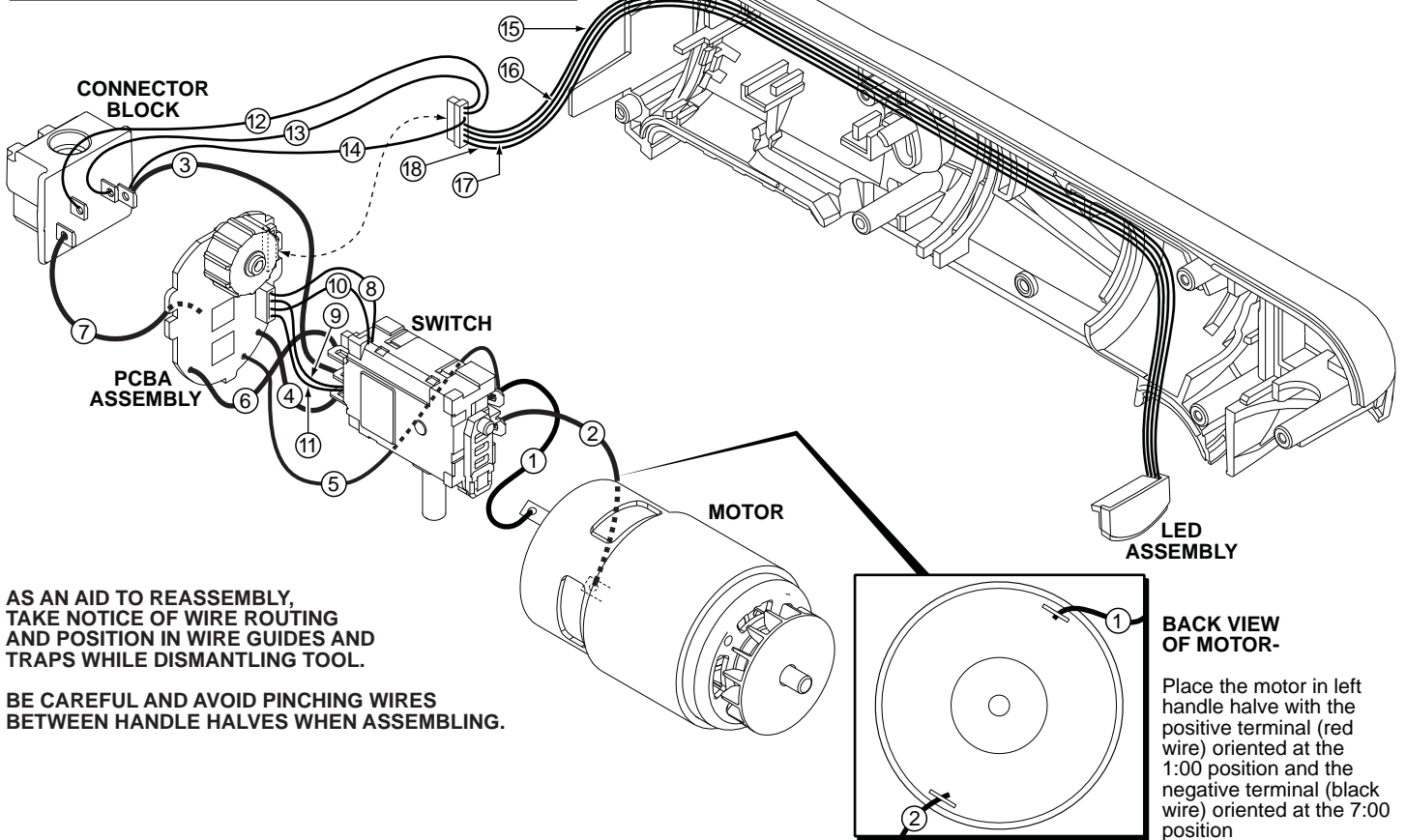
FIG. 6 NOTES:
 Apply a drop of Type 242 Blue Loctite® to the threads of the chuck screw (6) before securing chuck (5) to the spindle .





● = WIRE TRAPS

Be sure to route LED wires #15, #16, #17 and #18 through the wire trap along the top of the left handle half, as shown above. Secure those wires by pressing them firmly down into the traps so there is no pinching or interference when reassembling the tool.



AS AN AID TO REASSEMBLY, TAKE NOTICE OF WIRE ROUTING AND POSITION IN WIRE GUIDES AND TRAPS WHILE DISMANTLING TOOL.

BE CAREFUL AND AVOID PINCHING WIRES BETWEEN HANDLE HALVES WHEN ASSEMBLING.

BACK VIEW OF MOTOR-

Place the motor in left handle half with the positive terminal (red wire) oriented at the 1:00 position and the negative terminal (black wire) oriented at the 7:00 position

WIRING SPECIFICATIONS

Wire No.	Wire Color	Origin or Gauge	Length	Terminals, Connectors and 1 or 2 End Wire Preparation
1	Red	14 Gauge	3"	Solder one end of wire to tab on side of switch. Solder other end (with red wire #5) to right motor tab.
2	Black	14 Gauge	1-3/4"	Solder one end of wire to tab on side of switch. Solder other end to left motor tab.
3	Red	23-66-2835	----	Component of switch assembly. Connected to switch and connector block, as shown.
4	Black	23-66-2835	----	Component of switch assembly. Connected to switch and PCBA, as shown.
5	Red	23-66-2835	----	Component of switch assembly. Route from PCBA and solder to positive switch tab (with red wire #1).
6	Red	23-66-2835	----	Component of switch assembly. Connected to switch and PCBA, as shown.
7	Black	23-66-2835	----	Component of switch assembly. Connected to connector block and PCBA, as shown.
8	Orange	23-66-2835	----	Components of switch assembly. The four wire run from the switch and are harnessed to a connector that plugs into PCBA, as shown.
9	Green	23-66-2835	----	
10	White	23-66-2835	----	
11	Brown	23-66-2835	----	
12	Brown	23-66-2835	----	Components of switch assembly. One end is attached to the connector block. The other end is part of a 7 wire connector that plugs into the PCBA, as shown.
13	Red	23-66-2835	----	
14	Blue	23-66-2835	----	Components of switch assembly. One end is attached to the LED. The other end is part of a 7 wire connector that plugs into the PCBA, as shown.
15	Yellow	23-66-2835	----	
16	Black	23-66-2835	----	
17	White	23-66-2835	----	
18	Black	23-66-2835	----	