



SERVICE PARTS

BULLETIN NO.
54-47-0480

SPECIFY CATALOG NO. AND SERIAL NO. WHEN ORDERING PARTS		REVISED BULLETIN	DATE
M12™ FUEL™ 1/2" DIGITAL TORQUE WRENCH			Sep. 2019
CATALOG NO.	2466-20	SERIAL NUMBER	K80A
			WIRING INSTRUCTION See Page 2

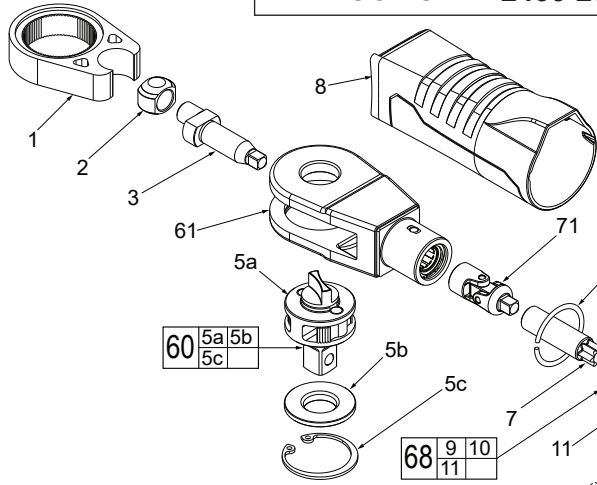


FIG.	PART NO.	DESCRIPTION OF PART	NO. REQ.
42	-----	Insert Cover	(1)
44	42-70-0058	Housing Connector Clip	(1)
45	34-40-0180	O-Ring	(2)
48	05-78-0105	M4 x 10mm Pan Hd. Taptite T-20 Screw	(9)
49	-----	Housing Cover-Right	(1)
50	-----	Housing Support-Left	(1)
51	44-60-0575	Spring Pin	(1)
52	44-10-0745	Switch Paddle	(1)
53	42-42-0033	Switch Lock-Out	(1)
54	-----	Insert Rib	(1)

EXAMPLE:
Component Parts (Small #) Are Included When Ordering Assembly (Large #).

NOTES:

Prior to installing a new service nameplate (59), apply isopropyl alcohol to handle cover (49) with a clean, lint free applicator and allowed to dry.

Use a thin blunt punch with the same OD or a similar tool

OD and the pointed tip ground down to remove spring pin (51) from handle halves (49 and 50) and switch paddle (52). **As an aid, be sure to prop up that corner end of wrench to support the tapping out of spring pin.** When reinstalling pin, align the holes and carefully press or tap the pin in place.

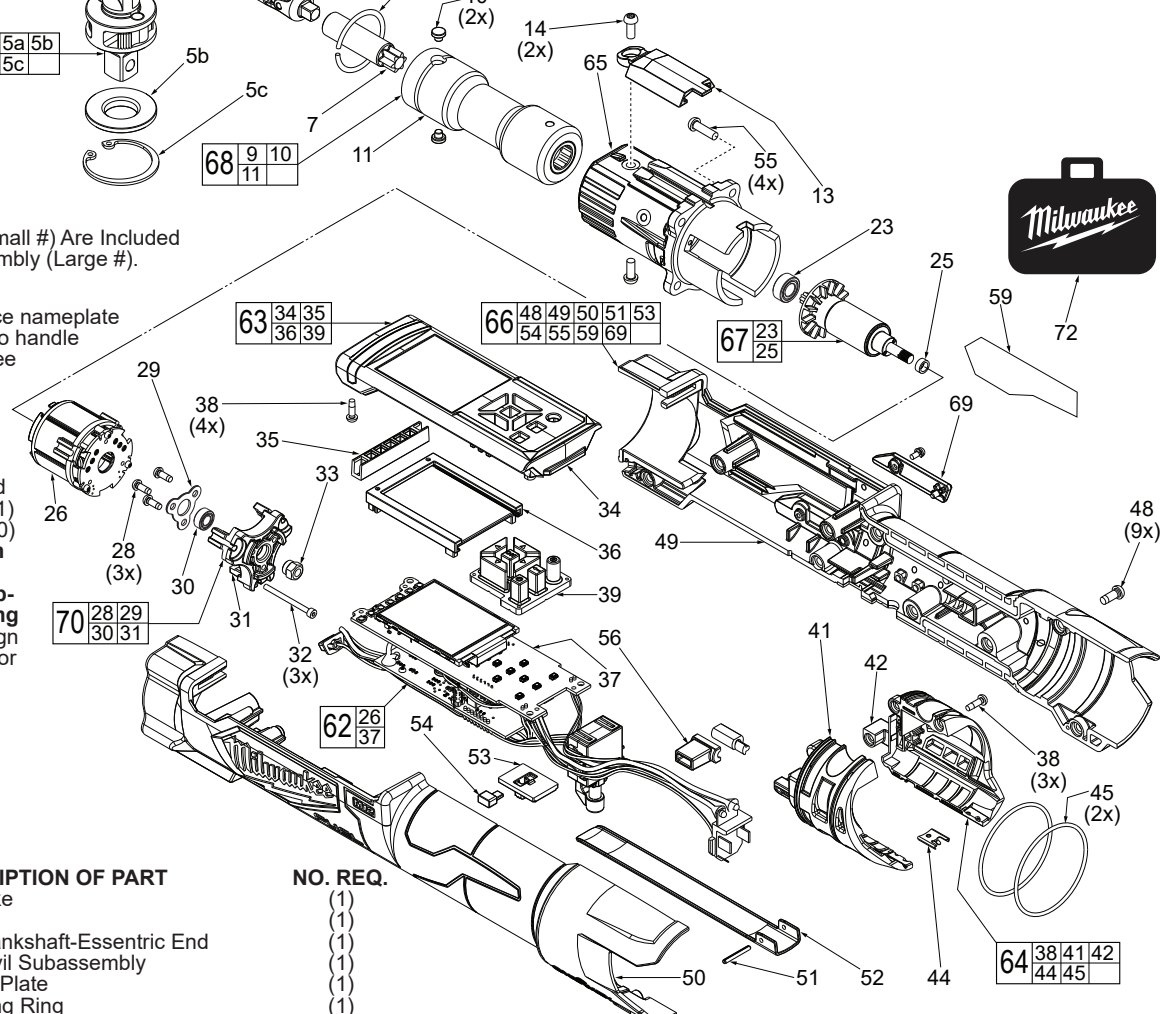


FIG.	PART NO.	DESCRIPTION OF PART	NO. REQ.
1	45-98-0070	1/2" Yoke	(1)
2	42-40-0014	Bushing	(1)
3	36-17-0410	1/2" Crankshaft-Essentric End	(1)
5a	-----	1/2" Anvil Subassembly	(1)
5b	-----	Friction Plate	(1)
5c	34-60-0995	Retaining Ring	(1)
7	36-17-0415	Crankshaft-Spline End	(1)
8	42-38-0283	Rubber Boot	(1)
9	-----	'C' Retaining Ring	(1)
10	-----	Pin	(2)
11	-----	1/2" Beam	(1)
13	42-92-0667	Gear Box Cover	(1)
14	05-81-1260	M4 x 10mm Pan Hd. T-20 Machine Screw	(2)
23	02-04-0625	Ball Bearing	(1)
25	42-40-0210	Bushing	(1)
26	-----	Stator	(1)
28	06-82-2310	M3 x 8mm Pan Hd. Tapt. T-10 Screw	(3)
29	44-86-1405	Bearing Plate	(1)
30	02-04-0303	Ball Bearing	(1)
31	44-66-1008	Motor Plate	(1)
32	05-84-0200	M2.5 x 31mm Socket Cap Hd. Screw	(3)
33	05-55-0047	Flange Nut	(1)
34	-----	Top Housing Assembly	(1)
35	-----	Light Pipe Cover	(1)
36	-----	Screen Holder	(1)
37	-----	PCBA	(1)
38	06-82-3002	M3 x 10mm Pan Hd. ST T-10 Screw	(7)
39	-----	Rubber Button Pad	(1)
41	-----	Insert Base	(1)

FIG.	PART NO.	DESCRIPTION OF PART	NO. REQ.
55	05-81-1337	M4 x14mm Pan Hd. T-20 Machine Screw	(4)
56	45-22-0105	Motor Sleeve	(1)
59	12-20-1466	Service Nameplate	(1)
60	42-06-0005	1/2" Anvil Assembly	(1)
61	45-98-0010	1/2" Yoke Housing Assembly	(1)
62	14-20-2466	Electronics Assembly	(1)
63	31-44-2461	Top Housing Assembly-REM PCBA	(1)
64	43-84-0025	Insert Assembly	(1)
65	14-29-0017	Gearcase Assembly	(1)
66	31-44-2463	Handle Housing Kit	(1)
67	16-01-1035	Rotor Assembly	(1)
68	45-60-0065	1/2" Beam Assembly	(1)
69	31-21-0004	Door Kit	(1)
70	44-66-0978	Motor Plate Assembly	(1)
71	42-04-9105	'U' Joint Assembly	(1)
72	42-55-2466	Blow Molded Carrying Case (Tool Only)	(1)

AS AN AID TO REASSEMBLY, TAKE NOTICE OF WIRE ROUTING AND POSITION IN WIRE GUIDES AND TRAPS WHILE DISMANTLING TOOL.

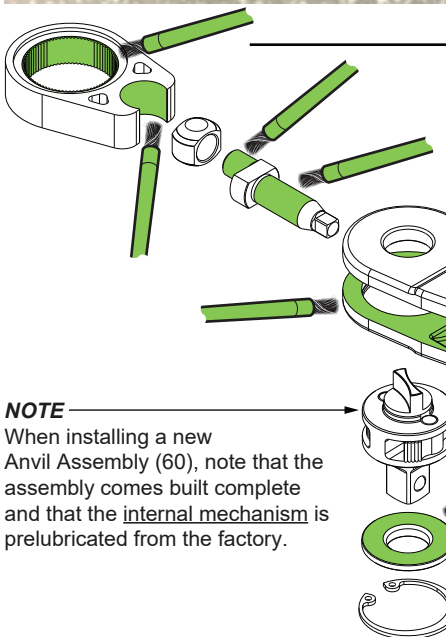
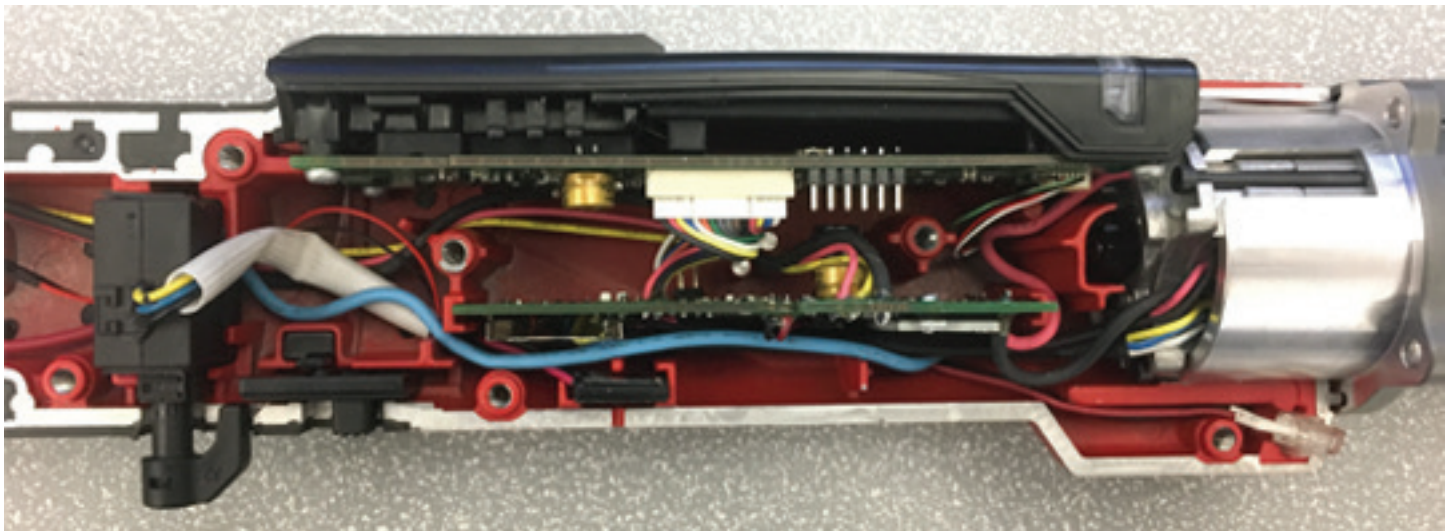
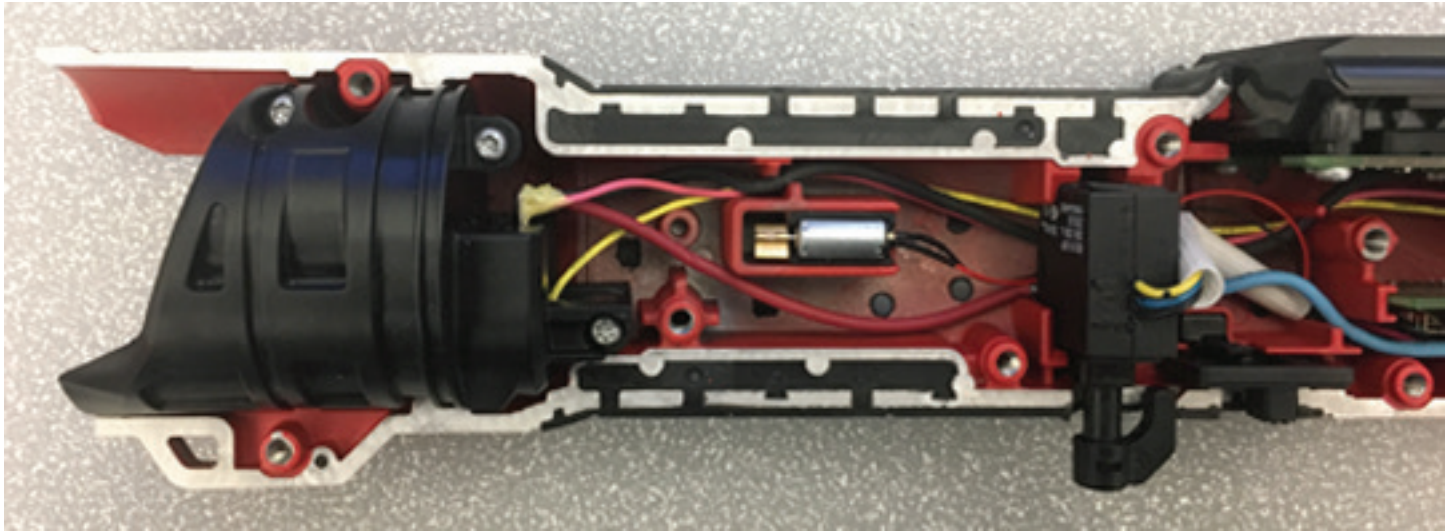
BE SURE THAT ALL COMPONENTS OF THE ELECTRONICS KIT ARE SEATED FIRMLY AND SQUARELY IN THE HANDLE RECESSES.

AVOID PINCHED WIRES, BE SURE THAT ALL WIRES AND SLEEVES ARE PRESSED COMPLETELY DOWN IN WIRE GUIDES AND TRAPS.

PRIOR TO SECURING THE HANDLE COVER ONTO THE HANDLE SUPPORT, BE SURE THAT THERE ARE NO INTERFERENCES.

BEFORE INSTALLING THE BATTERY, CHECK FOR PROPER FUNCTIONALITY OF SHUTTLE AND TRIGGERS.

INSTALL BATTERY AND DEPRESS SWITCH TRIGGER TO ASSURE TOOL IS OPERATING PROPERLY.



LUBRICATION

Use Type 'E' Grease,
No. 49-08-4122 (14 oz. tub)

NOTE: When servicing, remove 90-95% of the existing grease prior to installing Type 'E'. Original grease may be similar in color but not compatible with 'E'. Clean gear assemblies with a clean, dry cloth.

Regarding parts to be lubricated:
Apply a liberal amount of grease, being sure all yoke teeth are coated.

NOTE

When installing a new Anvil Assembly (60), note that the assembly comes built complete and that the internal mechanism is prelubricated from the factory.