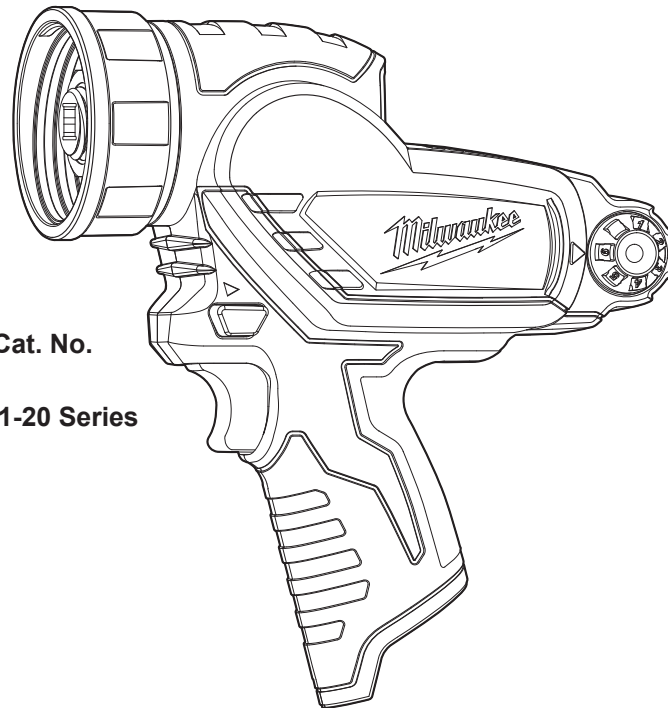




**OPERATOR'S MANUAL**



**Cat. No.**

**2441-20 Series**

**M12™ CORDLESS CAULK AND ADHESIVE GUN**

**TO REDUCE THE RISK OF INJURY, USER MUST READ AND UNDERSTAND OPERATOR'S MANUAL.**

## GENERAL POWER TOOL SAFETY WARNINGS

**⚠ WARNING READ ALL SAFETY WARNINGS AND ALL INSTRUCTIONS.** Failure to follow the warnings and instructions may result in electric shock, fire and/or serious injury. **Save all warnings and instructions for future reference.** The term "power tool" in the warnings refers to your mains-operated (corded) power tool or battery-operated (cordless) power tool.

### WORK AREA SAFETY

- Keep work area clean and well lit. Cluttered or dark areas invite accidents.
- Do not operate power tools in explosive atmospheres, such as in the presence of flammable liquids, gases or dust. Power tools create sparks which may ignite the dust or fumes.
- Keep children and bystanders away while operating a power tool. Distractions can cause you to lose control.

### ELECTRICAL SAFETY

- Power tool plugs must match the outlet. Never modify the plug in any way. Do not use any adapter plugs with earthed (grounded) power tools. Unmodified plugs and matching outlets will reduce risk of electric shock.
- Avoid body contact with earthed or grounded surfaces such as pipes, radiators, ranges and refrigerators. There is an increased risk of electric shock if your body is earthed or grounded.
- Do not expose power tools to rain or wet conditions. Water entering a power tool will increase the risk of electric shock.
- Do not abuse the cord. Never use the cord for carrying, pulling or unplugging the power tool. Keep cord away from heat, oil, sharp edges or moving parts. Damaged or entangled cords increase the risk of electric shock.
- When operating a power tool outdoors, use an extension cord suitable for outdoor use. Use of a cord suitable for outdoor use reduces the risk of electric shock.
- If operating a power tool in a damp location is unavoidable, use a residual current device (RCD) protected supply. Use of an RCD reduces the risk of electric shock.

### PERSONAL SAFETY

- Stay alert, watch what you are doing and use common sense when operating a power tool. Do not use a power tool while you are tired or under the influence of drugs, alcohol or medication. A moment of inattention while operating power tools may result in serious personal injury.
- Use personal protective equipment. Always wear eye protection. Protective equipment such as dust mask, non-skid safety shoes, hard hat, or hearing protection used for appropriate conditions will reduce personal injuries.
- Prevent unintentional starting. Ensure the switch is in the off-position before connecting to power source and/or battery pack, picking up or carrying the tool. Carrying power tools with your finger on the switch or energising power tools that have the switch on invites accidents.

- Remove any adjusting key or wrench before turning the power tool on. A wrench or a key left attached to a rotating part of the power tool may result in personal injury.
- Do not overreach. Keep proper footing and balance at all times. This enables better control of the power tool in unexpected situations.
- Dress properly. Do not wear loose clothing or jewellery. Keep your hair, clothing and gloves away from moving parts. Loose clothes, jewellery or long hair can be caught in moving parts.
- If devices are provided for the connection of dust extraction and collection facilities, ensure these are connected and properly used. Use of dust collection can reduce dust-related hazards.

### POWER TOOL USE AND CARE

- Do not force the power tool. Use the correct power tool for your application. The correct power tool will do the job better and safer at the rate for which it was designed.
- Do not use the power tool if the switch does not turn it on and off. Any power tool that cannot be controlled with the switch is dangerous and must be repaired.
- Disconnect the plug from the power source and/or the battery pack from the power tool before making any adjustments, changing accessories, or storing power tools. Such preventive safety measures reduce the risk of starting the power tool accidentally.
- Store idle power tools out of the reach of children and do not allow persons unfamiliar with the power tool or these instructions to operate the power tool. Power tools are dangerous in the hands of untrained users.
- Maintain power tools. Check for misalignment or binding of moving parts, breakage of parts and any other condition that may affect the power tool's operation. If damaged, have the power tool repaired before use. Many accidents are caused by poorly maintained power tools.
- Keep cutting tools sharp and clean. Properly maintained cutting tools with sharp cutting edges are less likely to bind and are easier to control.
- Use the power tool, accessories and tool bits etc., in accordance with these instructions, taking into account the working conditions and the work to be performed. Use of the power tool for operations different from those intended could result in a hazardous situation.

### BATTERY TOOL USE AND CARE

- Recharge only with the charger specified by the manufacturer. A charger that is suitable for one type of battery pack may create a risk of fire when used with another battery pack.

- Use power tools only with specifically designed battery packs. Use of any other battery packs may create a risk of injury and fire.
- When battery pack is not in use, keep it away from other metal objects like paper clips, coins, keys, nails, screws, or other small metal objects that can make a connection from one terminal to another. Shorting the battery terminals together may cause burns or a fire.
- Under abusive conditions, liquid may be ejected from the battery; avoid contact. If contact accidentally occurs, flush with water. If liquid contacts eyes, additionally seek medical help. Liquid ejected from the battery may cause irritation or burns.

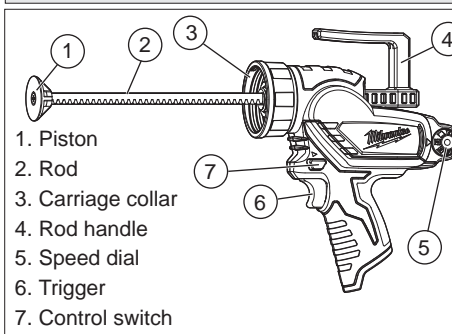
### SERVICE

- Have your power tool serviced by a qualified repair person using only identical replacement parts. This will ensure that the safety of the power tool is maintained.

### SPECIFIC SAFETY RULES

- Keep hands out of the piston and rod area of the caulk gun. Fingers can be pinched between the tube holder and the piston.
- Maintain labels and nameplates. These carry important information. If unreadable or missing, contact a MILWAUKEE service facility for a free replacement.
- WARNING Some dust created by power sanding, sawing, grinding, drilling, and other construction activities contains chemicals known to cause cancer, birth defects or other reproductive harm. Some examples of these chemicals are:
  - lead from lead-based paint
  - crystalline silica from bricks and cement and other masonry products, and
  - arsenic and chromium from chemically-treated lumber.
 Your risk from these exposures varies, depending on how often you do this type of work. To reduce your exposure to these chemicals: work in a well ventilated area, and work with approved safety equipment, such as those dust masks that are specially designed to filter out microscopic particles.

### FUNCTIONAL DESCRIPTION



## SYMBOLOLOGY

	Volts
	Direct Current
	Underwriters Laboratories, Inc. United States and Canada

### SPECIFICATIONS

Cat. No.	Volts DC
2441 Series	12

### ASSEMBLY

**⚠ WARNING** Recharge only with the charger specified for the battery. For specific charging instructions, read the operator's manual supplied with your charger and battery.

**⚠ WARNING** Always remove battery pack before changing or removing accessories. Only use accessories specifically recommended for this tool. Others may be hazardous.

#### Inserting/Removing the Battery

To remove the battery, push in the release buttons and pull the battery pack away from the tool. To insert the battery, slide the pack into the body of the tool. Make sure it latches securely into place.

#### Inserting the Rod

The piston and rod must match the carriage being used to avoid possible damage to the tool or material. Use only rods and carriages specifically designed for the M12 Caulk and Adhesive Gun. Other rods and carriages may cause damage to the tool.

1. Push the control switch to the Rack Release position. Remove the battery pack.
2. Grasp the rod handle. The teeth on the rod should point down.
3. Insert the rod from the rear of the tool. It may be necessary to wiggle the rod slightly while pushing it through the tool. Do not run the tool to pull the rod through the tool, this will damage the tool and rod.

4. Attach the piston.  
**NOTE:** Keep the piston and rod clean. Retracting or inserting a piston that is covered with material may damage the internal parts of the tool.

#### Installing the Carriage or Barrel

Use only rods and carriages specifically designed for the M12 Caulk and Adhesive Gun. Other rods and carriages may cause damage to the tool. Place the carriage over the piston and rod. Hold the carriage collar securely while screwing the carriage into the collar.

### Installing Caulk or Adhesive Tube

Always check tubes for punctures or damage before installing. Do not use a damaged or frozen tube.

1. Push the control switch to the Rack Release position. Remove the battery pack.
  2. Cut nozzle of tube at an angle and size per manufacturer's recommendation to suit the job (unless the nozzle is pre-cut). A smaller nozzle diameter requires more force to push the caulk and reduces battery life.
  3. Break the inner seal of the tube. If the inner seal is not broken, the caulk material may be forced out the rear end of the tube and damage the tool.
- NOTE:** Before using a partially filled tube, remove any hardened material with a long nail or piece of wire.
4. Pull the rod handle back to allow the tube to fit inside the carriage.

**WARNING** To reduce the risk of injury, keep hands out of the piston area of the tool. Fingers can be pinched between carriage and the piston.

5. Insert tube into the carriage.
6. Push the rod handle forward until the piston is against the tube.
7. Push the control switch to the Forward position.
8. To remove the tube, push the control switch to the Rack Release position and pull the rod handle back. Lift the tube out of the carriage.

### Installing Sausage Type Pack

Always check sausage packs for punctures or damage before installing. Do not use a damaged or frozen pack.

1. Push the control switch to the Rack Release position. Remove the battery pack.
  2. Pull the rod handle back to allow the pack to fit inside the barrel.
  3. Insert pack into barrel.
  4. Cut off end of sausage pack per manufacturer's recommendation.
- NOTE:** Before using a partially filled pack, remove any hardened material.
5. Insert nozzle supplied with the sausage pack into the nozzle cap and screw onto the barrel.
  6. Cut nozzle at an angle and size per manufacturer's recommendation to suit the job (unless the nozzle is pre-cut). A smaller nozzle diameter requires more force to push the caulk and reduces battery life.
  7. Push the rod handle forward until the piston is against the pack.
  8. Push the control switch to the Forward position.

## OPERATION

**WARNING** Always remove battery pack before changing or removing accessories. Only use accessories specifically recommended for this tool. Others may be hazardous.

**WARNING** To reduce the risk of injury, keep hands away from all moving parts. Always wear safety goggles or glasses with side shields.

### Fuel Gauge

To determine the amount of charge left in the battery, pull the trigger. The Fuel Gauge will light up for 2-3 seconds.

To signal the end of charge, 1 light on the fuel gauge will flash for 2-3 seconds.

### Anti-Drip and Rod Release

The caulk gun features an automatic anti-drip to prevent drips after the trigger is released.

### End of travel

When a tube is emptied, the motor will automatically reverse to release pressure, then shut off. Release the trigger and change the tube.

### Overload

When an overload occurs, the tool will reach the maximum drive force and continue to hold this maximum force until the user releases the trigger. If material is not dispensing, make sure that:

- Nozzle tip is cut
- Inner seal in the caulk tube is broken
- Hardened material is removed from the nozzle
- Caulk tube is not damaged or frozen
- Rod is free of caulk/adhesive materials

### Starting and Stopping and Controlling Speed

1. Pull trigger to dispense material.
  2. Increase or decrease pressure on the trigger to dispense the material. Adjust the speed dial to select the maximum speed for proper bead width and material flow rate ("1" for slowest, "6" for fastest). The trigger pressure, selected speed, material type, temperature and nozzle diameter will all affect the flow rate. When using a tube or pack with a smaller nozzle diameter use a slower speed or the material may be forced around the rear tube seat.
- NOTE:** Operating the gun at high speeds may damage the dispensing tube or pack for some materials. For best results, gradually increase speed settings.

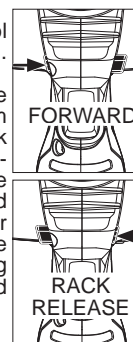
3. Release trigger to stop dispensing material.
- NOTE:** The piston will stop automatically when it has reached the end of the tube.

### Using the Control Switch

The control switch may be set to two positions: forward and rack release.

For **forward**, push in the control switch from the right side of the tool. The tool will run normally.

To **lock** the trigger and **release** the rack, push in the control switch from the left side of the tool. The rack can be moved to the desired position. The trigger will not work while the control switch is in the locked position. Always lock the trigger or remove the battery pack before performing maintenance, changing accessories, storing the tool and any time the tool is not in use.



## MAINTENANCE

**WARNING** To reduce the risk of injury, always unplug the charger and remove the battery pack from the charger or tool before performing any maintenance. Never disassemble the tool, battery pack or charger. Contact a MILWAUKEE service facility for ALL repairs.

### Maintaining Tool

Keep your tool, battery pack and charger in good repair by adopting a regular maintenance program. After six months to one year, depending on use, return the tool, battery pack and charger to a MILWAUKEE service facility for:

- Lubrication
- Mechanical inspection and cleaning (gears, spindles, bearings, housing, etc.)
- Electrical inspection (battery pack, charger, motor)
- Testing to assure proper mechanical and electrical operation

If the tool does not start or operate at full power with a fully charged battery pack, clean the contacts on the battery pack. If the tool still does not work properly, return the tool, charger and battery pack, to a MILWAUKEE service facility for repairs.

**WARNING** To reduce the risk of personal injury and damage, never immerse your tool, battery pack or charger in liquid or allow a liquid to flow inside them.

### Cleaning

Clean dust and debris from charger and tool vents. Keep tool handles clean, dry and free of oil or grease. Use only mild soap and a damp cloth to clean the tool, battery pack and charger since certain cleaning agents and solvents are harmful to plastics and other insulated parts. Some of these include gasoline, turpentine, lacquer thinner, paint thinner, chlorinated cleaning solvents, ammonia and household detergents containing ammonia. Never use flammable or combustible solvents around tools.

### Repairs

For repairs, return the tool, battery pack and charger to the nearest service center.

## ACCESSORIES

**WARNING** Always remove battery pack before changing or removing accessories. Only use accessories specifically recommended for this tool. Others may be hazardous.

### M12™ 10oz. Cartridge Conversion Kit

Cat. No. 48-08-0900

### M12™ 20oz. Aluminum Sausage Style Conversion Kit

Cat. No. 48-08-0905

### M12™ Quart Conversion Kit

Cat. No. 48-08-0910

### 20oz. Aluminum Barrel Only

Cat. No. 48-08-1091

### 20oz. Clear Barrel Only

Cat. No. 48-08-1096

### Caulk Gun Nozzle - Black

Cat. No. 31-12-0700