



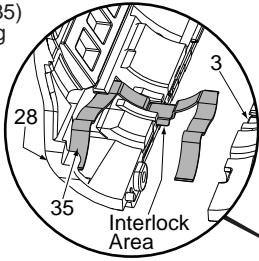
SERVICE PARTS LIST

BULLETIN NO.
54-22-2400

SPECIFY CATALOG NO. AND SERIAL NO. WHEN ORDERING PARTS		REVISED BULLETIN
12 VOLT MULTI-TOOL		
CATALOG NO. 2426-20	STARTING SERIAL NO. C73A	See Reverse Side

EXAMPLE:
00 0 Component Parts (Small #)
Are Included When Ordering
The Assembly (Large #).

Install spring clip (35) into the left housing half (28) prior to installing right housing half (3).
NOTE: Right spring interlock must match that of the left housing half prior to tightening housing screws (1 and 4).



NOTE:
Production of this model did not have Dust Cap (60) on the rear of the motor prior to March 2016. It is recommended when servicing this tool, to order and install a new Dust Cap (43-44-1500) on all early models.

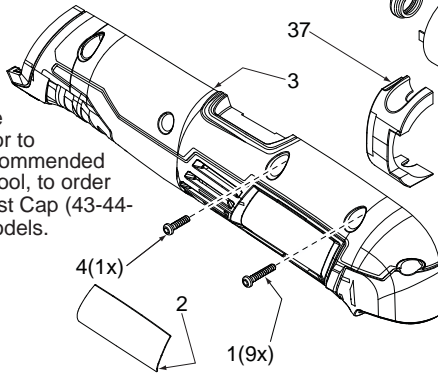
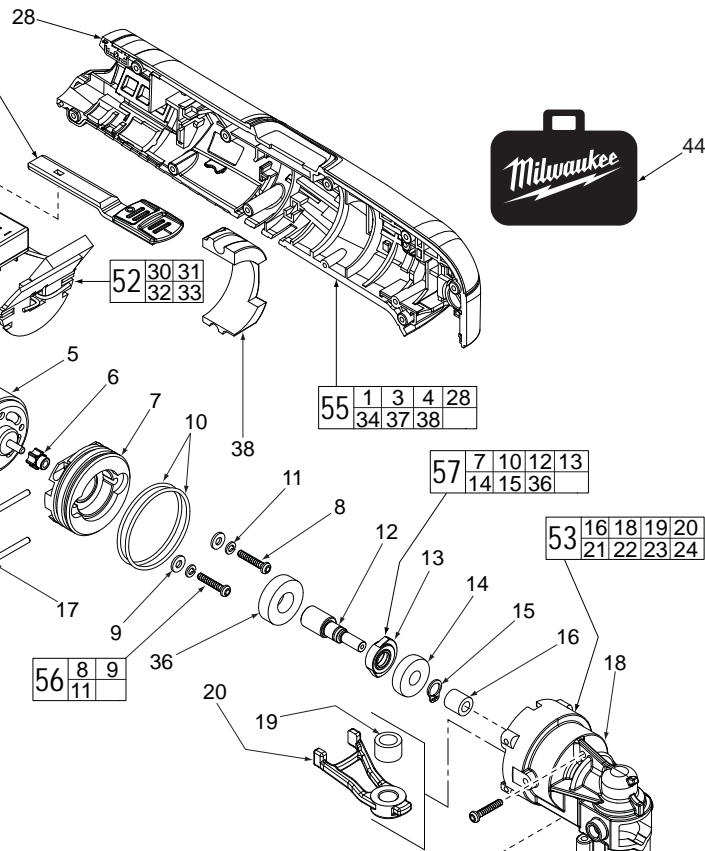


FIG.	PART NO.	DESCRIPTION OF PART	NO. REQ.
1	06-82-1080	M3.0 x 14mm Pan Hd. ST T-10 Screw	(11)
2	12-20-2426	Service Nameplate	(1)
3	-----	Housing Half - Right	(1)
4	06-82-2395	M2.6 x 10mm Pan Hd. ST T-9 Screw	(1)
5	-----	Motor	(1)
6	-----	Motor Pinion	(1)
7	-----	Mounting Plate	(1)
8	-----	M3.0 x 16mm Pan Hd. Screw	(2)
9	-----	Washer	(2)
10	34-40-0620	O-Ring	(2)
11	-----	Spring Washer	(2)
12	-----	Spline Shaft	(1)
13	-----	Counter Balance	(1)
14	-----	Ball Bearing	(1)
15	-----	Retaining Ring	(1)
16	-----	Needle Roller Bearing	(1)
17	06-65-0085	Pin	(2)
18	-----	Gearcase	(1)
19	-----	Needle Bearing	(1)
20	-----	Fork	(1)
21	-----	Ball Bearing	(1)
22	-----	Retaining Ring	(1)
23	-----	Output Shaft	(1)
24	-----	Bit Holder	(1)
25	42-04-0730	Adapter	(1)
26	42-92-1150	Blade Cover	(1)
27	05-81-1400	M6 x 1 x 22.6 Flat Hd. Hex Recess Screw	(1)
28	-----	Housing Half - Left	(1)
29	45-72-0250	Switch Trigger	(1)
30	-----	Switch	(1)
31	-----	Leadwire Assembly - Red (Not Shown)	(1)
32	-----	Contact Plate Holder	(1)
33	-----	PCBA	(1)
34	-----	Fuel Gauge Label (Not Shown)	(1)
35	42-70-0480	Spring Clip	(1)
36	-----	Ball Bearing	(1)
37	44-52-1015	Rubber Pad - Right	(1)
38	44-52-1010	Rubber Pad - Left	(1)
40	42-52-0475	Gearcase Cover	(1)
41	05-74-0900	M3.0 x 10mm Pan Hd. T-10 Screw	(2)
44	42-55-2426	Canvas Carrying Case	(1)
52	23-66-0915	Switch Assembly Kit	(1)
53	14-29-0675	Gearcase Assembly Kit	(1)
54	14-50-1020	Motor Assembly Kit	(1)
55	31-44-2570	Housing Half Assembly Kit	(1)



LUBRICATION NOTES:
Use Type 'J' Grease, No. 49-08-4220

When servicing, remove 90-95% of the existing grease prior to installing Type 'J'. Original grease may be similar in color but not compatible with "J".

Apply a heavy coating of grease to Motor Pinion (6) and Spline Shaft (12). Approx. 0.5g

Place a heavy coating of grease in and around the open Ball Bearing (36). Approx. 1g

Fill back cavity of Gearcase (18) with approx. 3.5g of grease.

Total of 5.0g (.17oz.)

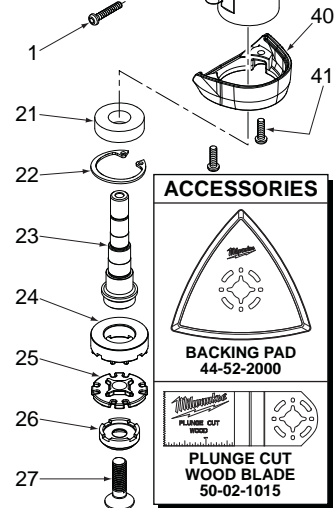
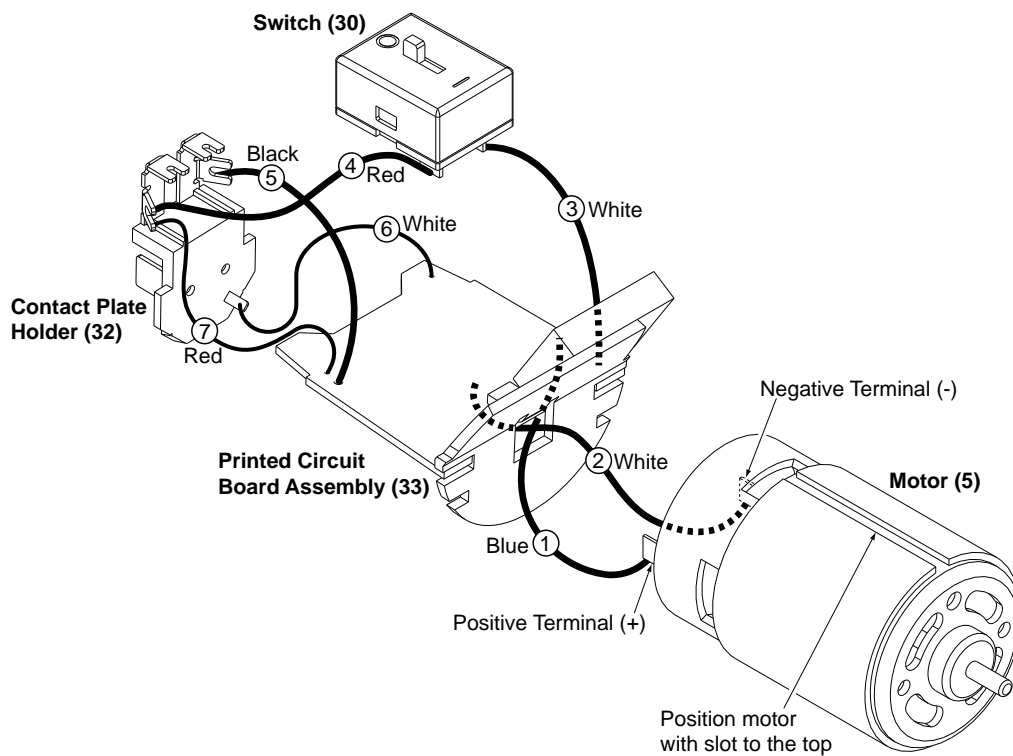
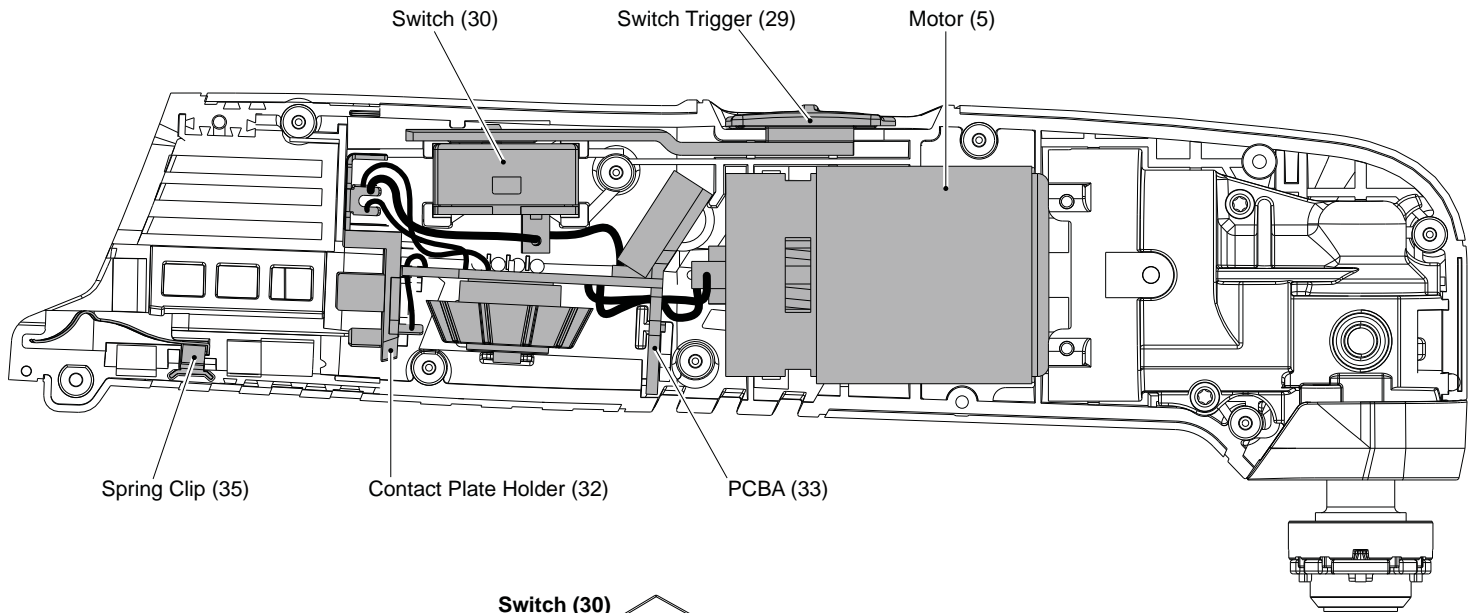


FIG.	PART NO.	DESCRIPTION OF PART	NO. REQ.
56	14-46-2426	Screw and Washer Kit	(1)
57	42-87-0200	Counter Balance Assembly Kit	(1)
60	43-44-1500	Dust Cap	(1)
	49-96-0500	Hex Key (Not Shown)	(1)
	10-20-2426	Warning Label (Not Shown)	(1)

FIG. NOTES

1.4 Hand tighten housing screws to prevent over tightening. Exercise caution when tightening screws if a cordless driver drill is used.

5.8 Apply Blue Loctite® 242 or equivalent, sparingly to the first two or three threads of screws (8) prior to assembling to motor (5).



WIRING SPECIFICATIONS

Wire No.	Wire Color	Origin or Gauge	Length	Terminals, Connectors and 1 or 2 End Wire Preparation
1	Blue	23-66-0915	-----	Component of the Switch Assembly Kit. Route from bottom of PCBA to (+) terminal on motor.
2	White	23-66-0915	-----	Component of the Switch Assembly Kit. Route from bottom of PCBA to (-) terminal on motor.
3	White	23-66-0915	-----	Component of the Switch Assembly Kit. Route from top of PCBA to switch as shown.
4	Red	23-66-0915	-----	Component of the Switch Assembly Kit. Route from contact plate holder to switch as shown.
5	Black	23-66-0915	-----	Component of the Switch Assembly Kit. Route from top of PCBA to contact plate holder.
6	White	23-66-0915	-----	Component of the Switch Assembly Kit. Route from top of PCBA to contact plate holder.
7	Red	23-66-0915	-----	Component of the Switch Assembly Kit. Route from top of PCBA to contact plate holder.