



SERVICE PARTS LIST

BULLETIN NO.
54-06-2420

SPECIFY CATALOG NO. AND SERIAL NO. WHEN ORDERING PARTS		REVISED BULLETIN	DATE
M18™ Dual Power Flood Light			July 2020
CATALOG NO.	2366-20	WIRING INSTRUCTION	
	STARTING SERIAL NO.	L62A	

EXAMPLE:

00	0
----	---

 Component Parts (Small #)
 Are Included When Ordering
 The Assembly (Large #).

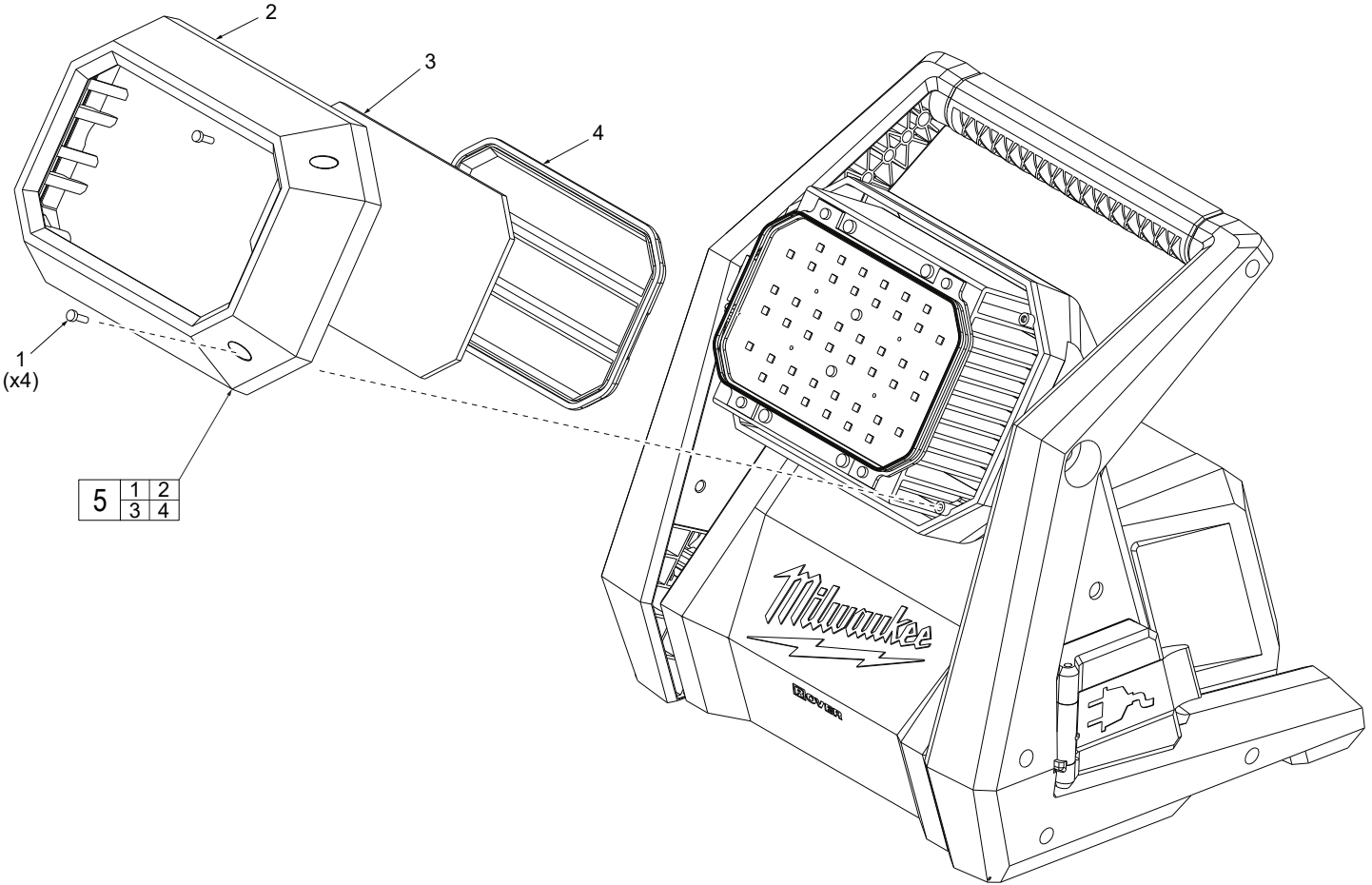


FIG.	PART NO.	DESCRIPTION OF PART	NO. REQ.
1	05-74-0068	PB2.6x8mm Screw	(4)
2	14-30-0103	Front Housing	(1)
3	44-06-0043	Lens	(1)
4	44-79-0012	Reflector	(1)
5	14-46-0436	Lens and Bezel Kit	(1)
6	12-20-0311	Service Nameplate (Not Shown)	(1)

FIG. NOTES

6 A clean, dry surface is essential for proper performance for any adhesive system. The area intended for application of any adhesive label or nameplate must be prepared by cleaning with isopropyl alcohol. The solvent is to be applied with a clean, lint free applicator and the surface allowed to dry before applying the label or nameplate.