

**IMPORTANT SAFETY INSTRUCTIONS**

**⚠ WARNING** Read all safety warnings and all instructions. Failure to follow the warnings and instructions may result in electric shock, fire and/or serious injury. Save all warnings and instructions for future reference.

**WORK AREA SAFETY**

- To reduce the risk of injury, close supervision is necessary when an appliance is used near children.
- Store idle light out of reach of children. Warm lights can become hazardous in the hands of children.
- Suitable for rain and wet locations. Store indoors.

**PERSONAL SAFETY**

- Do not overreach. Keep proper footing and balance at all times. This enables better control of the light in unexpected situations.
- Do not use on a ladder or unstable support. Stable footing on a solid surface enables better control of the light in unexpected situations.
- To reduce the risk of injury, do not look directly into the light when the flood light is on.
- To reduce the risk of fire or burns, keep hands and combustible materials away from lens. Lens may become hot after extended use.

**BATTERY TOOL USE AND CARE**

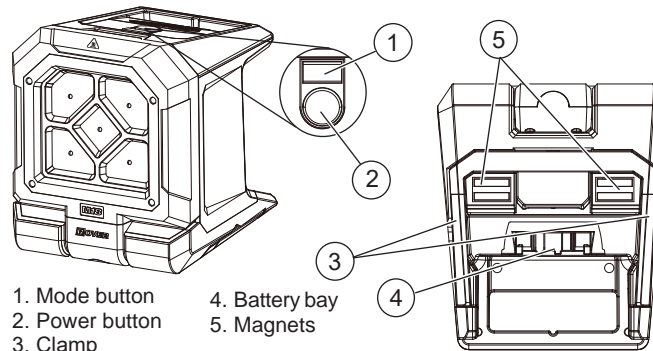
- Recharge only with the charger specified by the manufacturer. A charger that is suitable for one type of battery pack may create a risk of fire when used with another battery pack.
- Use light only with specifically designated battery packs. Use of any other battery packs may create a risk of injury and fire.
- When battery pack is not in use, keep it away from other metal objects, like paper clips, coins, keys, nails, screws or other small metal objects, that can make a connection from one terminal to another. Shorting the battery terminals together may cause burns or a fire.
- Under abusive conditions, liquid may be ejected from the battery; avoid contact. If contact accidentally occurs, flush with water. If liquid contacts eyes, additionally seek medical help. Liquid ejected from the battery may cause irritation or burns.
- Do not use a battery pack or tool that is damaged or modified. Damaged or modified batteries may exhibit unpredictable behavior resulting in fire, explosion or risk of injury.
- Do not expose a battery pack or tool to fire or excessive temperature. Exposure to fire or temperature above 265°F (130°C) may cause explosion.
- Follow all charging instructions and do not charge the battery pack or tool outside the temperature range specified in the instructions. Charging improperly or at temperatures outside the specified range may damage the battery and increase the risk of fire.

**SERVICE**

- Have your light serviced by a qualified repair person using only identical replacement parts. This will ensure that the safety of the light is maintained.
- Never service damaged battery packs. Service of battery packs should only be performed by the manufacturer or authorized service providers.

**SPECIFIC SAFETY RULES**

- Maintain labels and nameplates. These carry important information. If unreadable or missing, contact a MILWAUKEE service facility for a free replacement.

**FUNCTIONAL DESCRIPTION**


1. Mode button
2. Power button
3. Clamp
4. Battery bay
5. Magnets

**SYMBOLOLOGY**

- V Volts
- ⎓ Direct Current
- ⚠ Hot Surface. Keep hands and combustible materials away from lens
- ⚠ CAUTION Bright Light - Do Not Stare Into Light
- cULus UL Listing for Canada and U.S.

**SPECIFICATIONS**

Cat. No.....	2365-20
Battery Type .....	M18™
Charger Type.....	M18™
Recommended Ambient Operating Temperature.....	0°F to 125°F
DC Input Volts.....	18
Max DC Input Amps.....	1.1

**ASSEMBLY**

**⚠ WARNING** Recharge only with the charger specified for the battery. For specific charging instructions, read the operator's manual supplied with your charger and battery.

**Inserting/Removing the Battery**

Insert the battery pack by sliding battery pack into the body of the tool. Insert the battery pack until the battery latches lock. To remove the battery pack, press in both battery latches and slide the battery pack off of the tool.

**OPERATION**

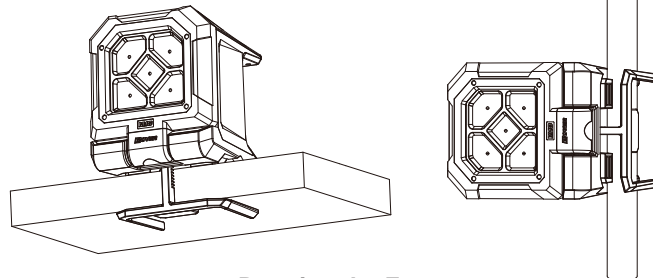
**⚠ WARNING** To reduce the risk of injury, do not look directly into the light when the flood light is on.

To turn on the flood light, press the Power button . Press the MODE button to cycle through High, Medium and Low settings. To turn off the flood light, press the Power button again.

**Hang/Mount**

There are many ways to orient the flood light to best suit your job. **NOTE:** Larger battery packs are intentionally prevented from being used with the Magnet and Clamp systems.

- Securely hang or hold the flood light from the top handle.
- Use the magnets to secure the flood light to a metal surface at least 1/8" thick.
- Use the clamp to secure the flood light to a flat surface no more than 2" thick.
- Use the clamp to secure the flood light to a tubular material between 1-1/4" and 1-1/2" in diameter.


**Rotating the Face**

To rotate the face, tilt the face forward and rotate up to 150° one way, or 180° the other way.