



# SERVICE PARTS

**BULLETIN NO.**  
**54-06-2530**

SPECIFY CATALOG NO. AND SERIAL NO. WHEN ORDERING PARTS		REVISED BULLETIN	DATE
<b>M18™ ROCKET™ LED TOWER LIGHT/CHARGER</b>			Sept. 2020
CATALOG NO. <b>2136-20</b>	STARTING SERIAL NO. <b>L60A</b>	WIRING INSTRUCTION	

**EXAMPLE:**  
Component Parts (Small #)  
Are Included When Ordering  
The Assembly (Large #).

**Light Head Assemblies come in two different configurations. Light Head Assembly w/ Two Wires (106) and Light Head Assembly w/ Four Wires (105).**

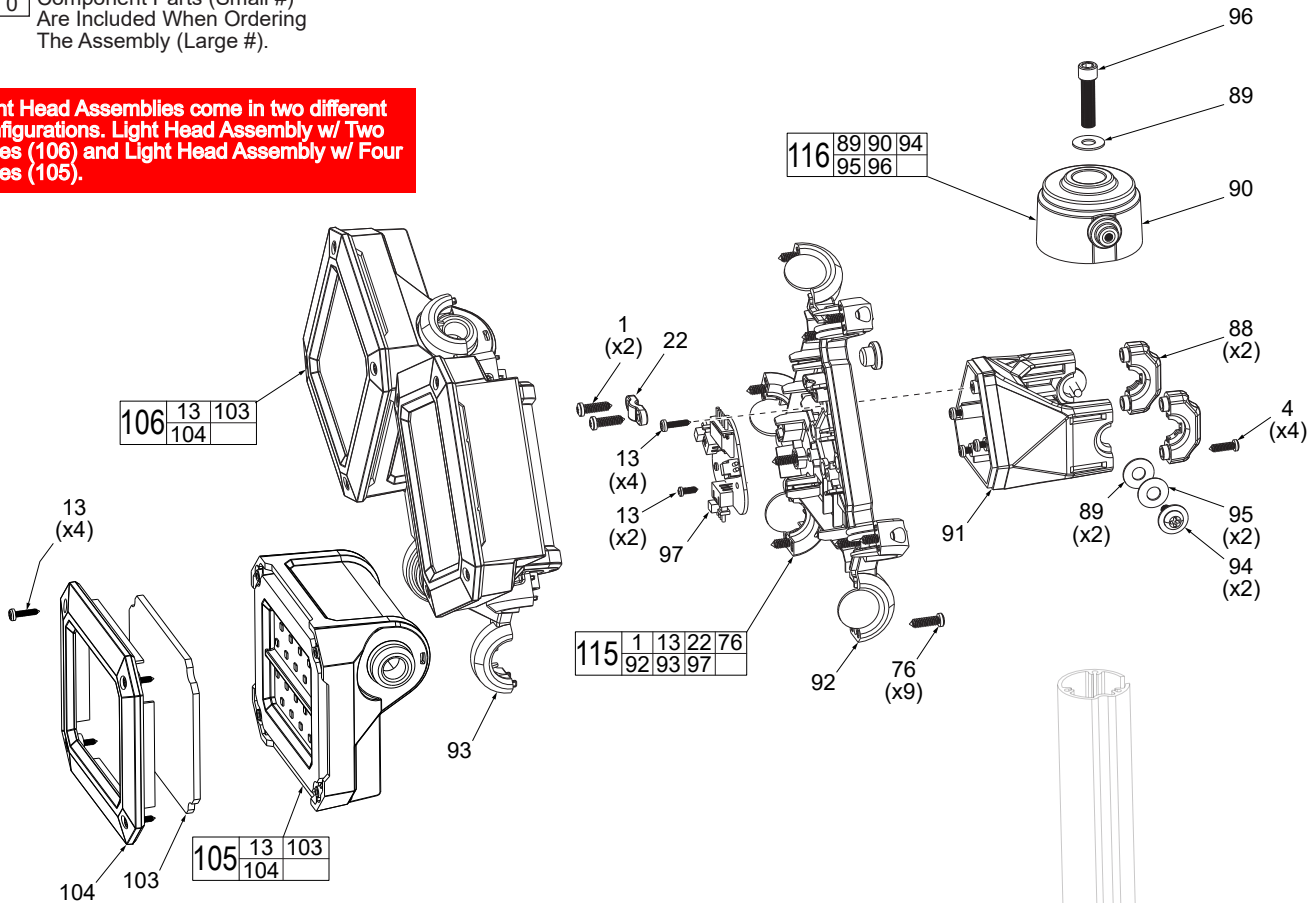
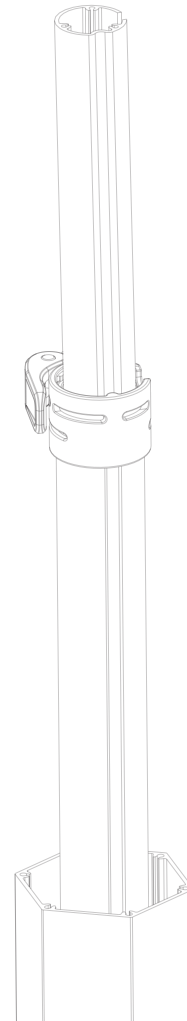


FIG.	PART NO.	DESCRIPTION OF PART	NO. REQ.
1	05-87-0016	Self Tapping Screw	(2)
4	05-87-0017	M3.5 x 20mm ST Phillips Screw	(4)
13	05-87-0014	M3 x 12mm ST Phillips Screw	(10)
22	23-94-0248	Wire Holder	(1)
76	05-87-0019	M3.5 x 12mm ST Phillips Screw	(9)
88	22-68-0079	Light Head Base Bottom Cover	(2)
89	45-88-0202	Washer	(3)
90	28-06-0036	Light Head Base	(1)
91	43-72-0081	Light Head Holder	(1)
92	22-68-0080	Light Head Bottom Cover	(1)
93	22-68-0081	Light Head Top Cover	(1)
94	05-74-0066	Anti-Loose Screw	(2)
95	45-88-0346	Wave Washer	(2)
96	06-75-0006	M6 Hex Socket Machine Screw	(1)
97	22-09-0032	Light Head Board	(1)
103	44-06-0082	LED Lens	(1)
104	22-68-0077	LED Lens Cover	(1)
105	14-20-0190	Light Head Assembly w/ Four Wires	(1)
106	14-20-0191	Light Head Assembly w/ Two Wires	(2)
115	22-09-0027	Light Head Cover Kit	(1)
116	42-52-0505	LED Mounting Cap w/ Washers and Screws	(1)



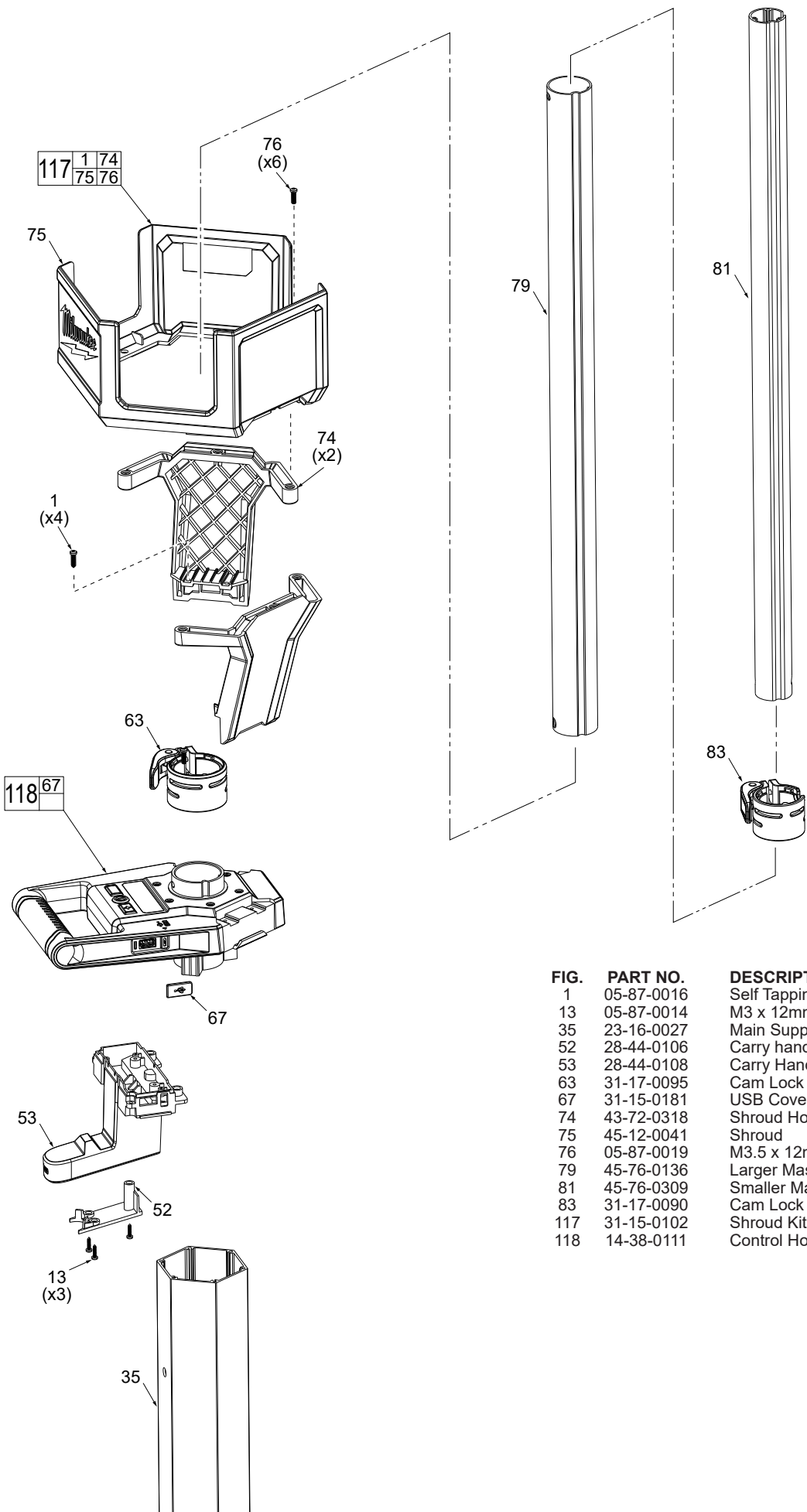


FIG.	PART NO.	DESCRIPTION OF PART	NO. REQ.
	1	Self Tapping Screw	(4)
	13	M3 x 12mm ST Phillips Screw	(3)
	35	Main Support Column	(1)
	52	Carry handle Top Holder Cover	(1)
	53	Carry Handle Top Holder	(1)
	63	Cam Lock Base Assembly (Large)	(1)
	67	USB Cover	(1)
	74	Shroud Holder	(2)
	75	Shroud	(1)
	76	M3.5 x 12mm ST Phillips Screw	(6)
	79	Larger Mast	(1)
	81	Smaller Mast	(1)
	83	Cam Lock Assembly (Small)	(1)
	117	Shroud Kit	(1)
	118	Control Housing Assembly	(1)

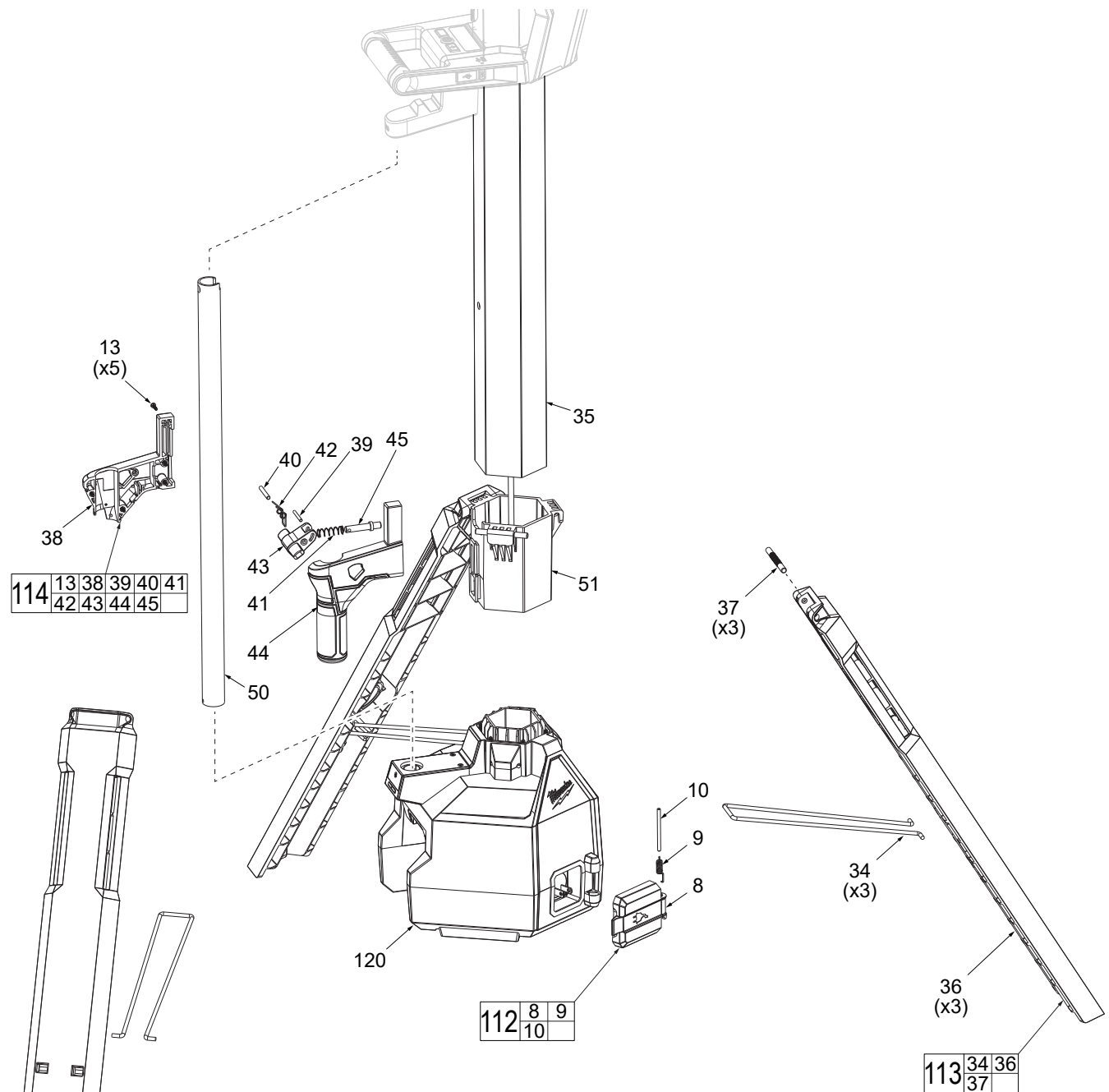


FIG.	PART NO.	DESCRIPTION OF PART	NO. REQ.
8	44-50-0016	AC Outlet Door	(1)
9	40-50-0242	AC Outlet Door Spring	(1)
10	44-50-0018	AC Outlet Door Pin	(1)
13	05-87-0014	M3 x 12mm ST Phillips Screw	(5)
34	-----	Wire Leg Linkage	(3)
35	23-16-0027	Main Support Column	(1)
36	-----	Support Leg	(3)
37	44-60-1655	Leg Support Pin	(3)
38	-----	Left Carry Handle Housing	(1)
39	-----	Locking Pin	(1)
40	-----	Trigger Pin	(1)
41	-----	Locking Rod Spring	(1)
42	-----	Trigger Spring	(1)
43	-----	Trigger	(1)
44	-----	Right Carry Handle Housing	(1)
45	-----	Locking Rod	(1)
50	45-76-0051	Small Tube	(1)
51	28-06-0033	Leg Mounting Base	(1)
107	12-20-0249	Service Nameplate (Not Shown)	(1)
108	10-20-1018	Warning Label - Left (Not Shown)	(1)
109	10-20-1019	Warning Label - Right (Not Shown)	(1)
111	42-55-2137	Soft Carrying Bag (Not shown)	(1)
112	31-21-0013	AC Door Kit	(1)
113	14-46-0179	Leg Support Kit	(3)
114	14-34-0127	Carry Handle Kit	(1)
120	14-20-0142	Base w/ Electronics and Outlet	(1)

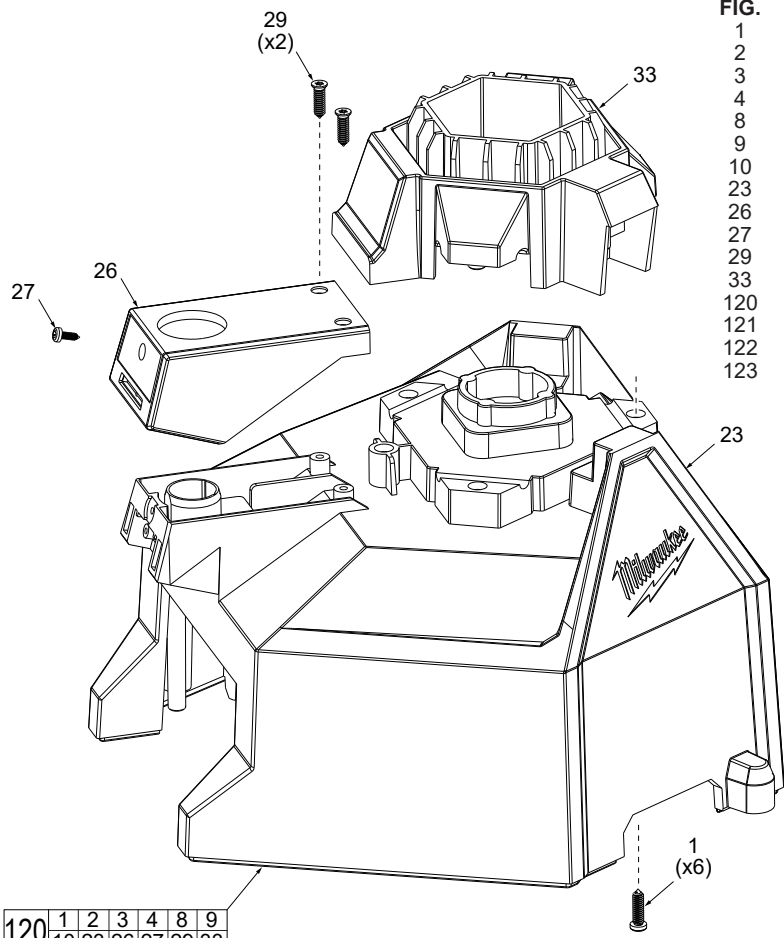
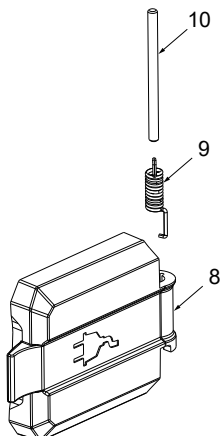
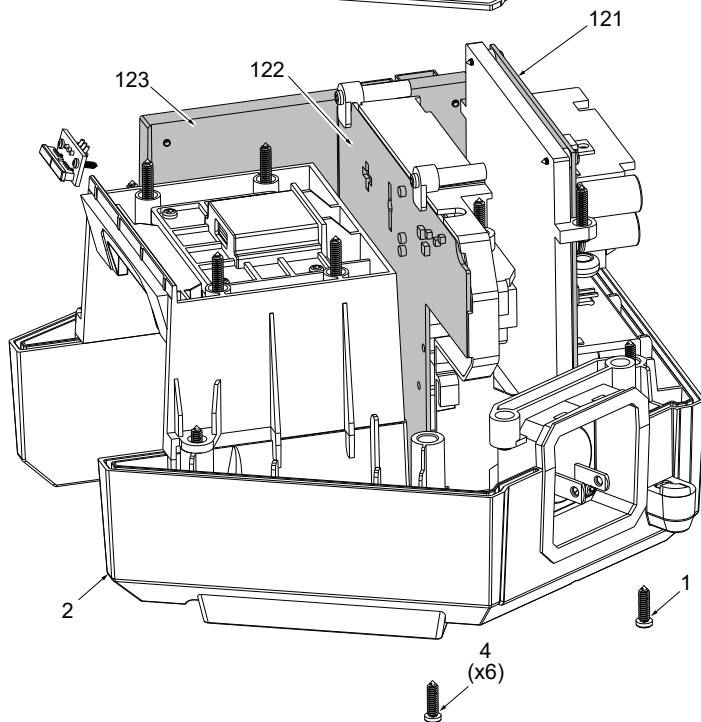
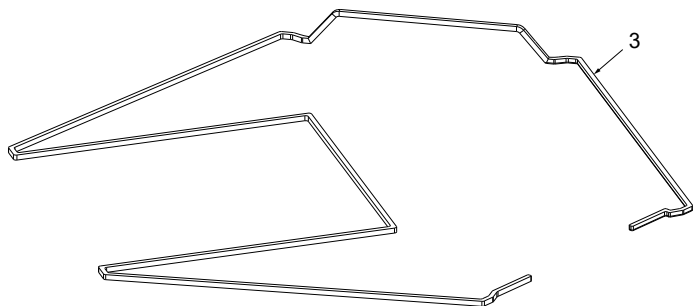


FIG.	PART NO.	DESCRIPTION OF PART	NO. REQ.
1	05-87-0016	Self Tapping Screw	(7)
2	22-68-0043	Bottom Cover	(1)
3	22-68-0046	Bottom Cover Gasket	(1)
4	05-87-0017	Self Tapping Screw	(6)
8	44-50-0016	AC Door	(1)
9	40-50-0242	AC Door Spring	(1)
10	44-50-0018	AC Door Pin	(1)
23	28-50-0036	Main Housing	(1)
26	45-76-0053	Carry Pole Mounting Base	(1)
27	05-87-0012	M3 x 6mm Pan Hd. T- Screw	(1)
29	05-87-0011	Self Tapping Screw	(2)
33	23-16-0029	Tube Mounting Base	(1)
120	14-20-0142	Base w/ Electronics and Outlet	(1)
121	22-80-0012	AC Board	(1)
122	22-80-0022	Charger Board	(1)
123	22-80-0032	Control Board	(1)



Discover other hand lamps on our website.