



# SERVICE PARTS LIST

**BULLETIN NO.**  
**54-06-2035**

SPECIFY CATALOG NO. AND SERIAL NO. WHEN ORDERING PARTS		REVISED BULLETIN	DATE
<b>M12™ Paint and Detailing Color Match Light</b>			Nov. 2021
<b>CATALOG NO.</b>	<b>2127-20</b>	<b>STARTING SERIAL NO.</b>	<b>M51A</b>
WIRING INSTRUCTION			

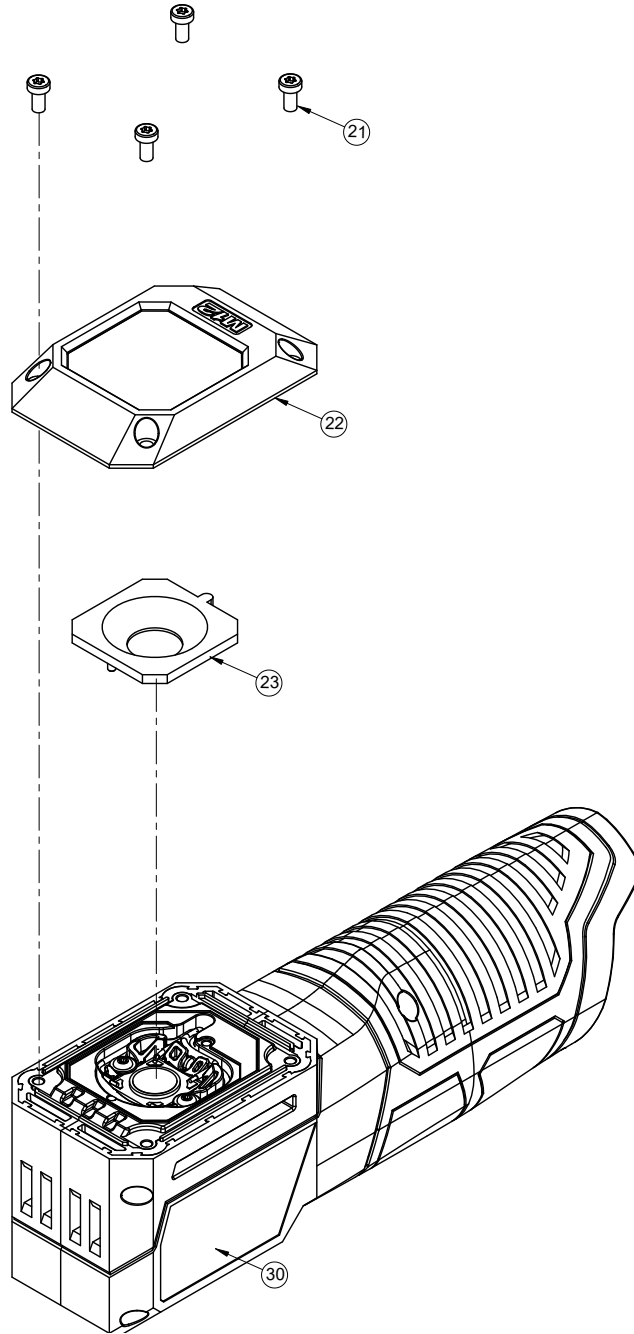


FIG.	PART NO.	DESCRIPTION OF PART	NO. REQ.
21	06-82-0996	Torx Panhead Screw, PM3.0x6mm	(4)
22	22-68-2127	Light Head Cover	(1)
23	44-79-0042	Reflector	(1)
30	12-20-2127	Service Nameplate	(1)