



# SERVICE PARTS LIST

**BULLETIN NO.**  
**54-06-2255**

SPECIFY CATALOG NO. AND SERIAL NO. WHEN ORDERING PARTS			REVISED BULLETIN	DATE
MILWAUKEE® Rechargeable 500L Everyday Carry Flashlight with Magnet				Dec. 2020
CATALOG NO.	2011R	STARTING SERIAL NO.	WIRING INSTRUCTION	
		M19A		

**EXAMPLE:**  

00	0
----	---

 Component Parts (Small #) Are Included  
 When Ordering The Assembly (Large #).

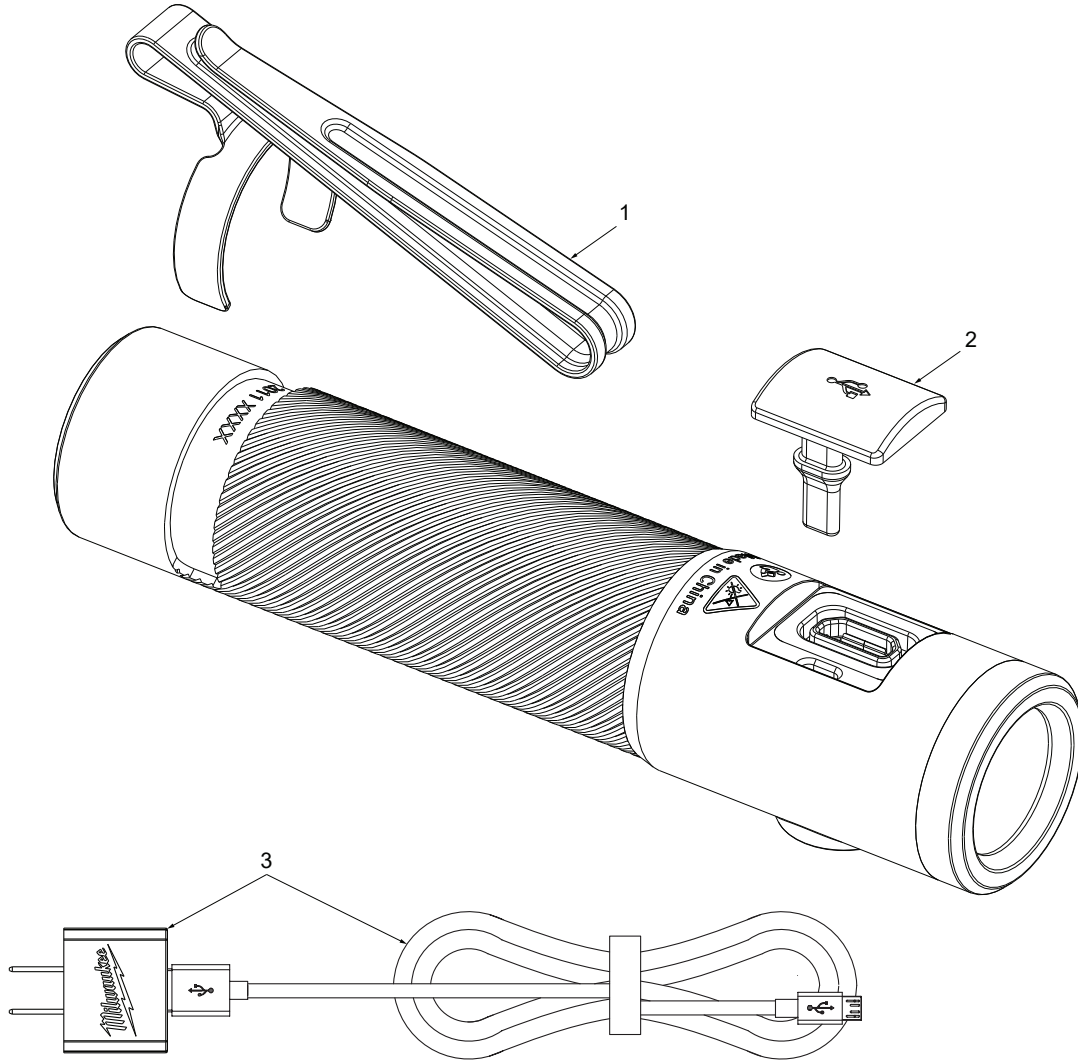


FIG.	PART NO.	DESCRIPTION OF PART	NO. REQ.
1	42-70-0007	Clip	(1)
2	31-15-2011	USB Cover	(1)
3	48-59-1202	Wall Plug and 3 ft. USB Cable (Optional)	(1)