



SERVICE PARTS LIST

BULLETIN NO.
54-49-0880

SPECIFY CATALOG NO. AND SERIAL NO. WHEN ORDERING PARTS		REVISED BULLETIN
M18™ JOBSITE FAN		
CATALOG NO. 0886-20	SERIAL NUMBER G47A	

EXAMPLE:

00	0
----	---

 Component Parts (Small #) Are Included When Ordering The Assembly (Large #).

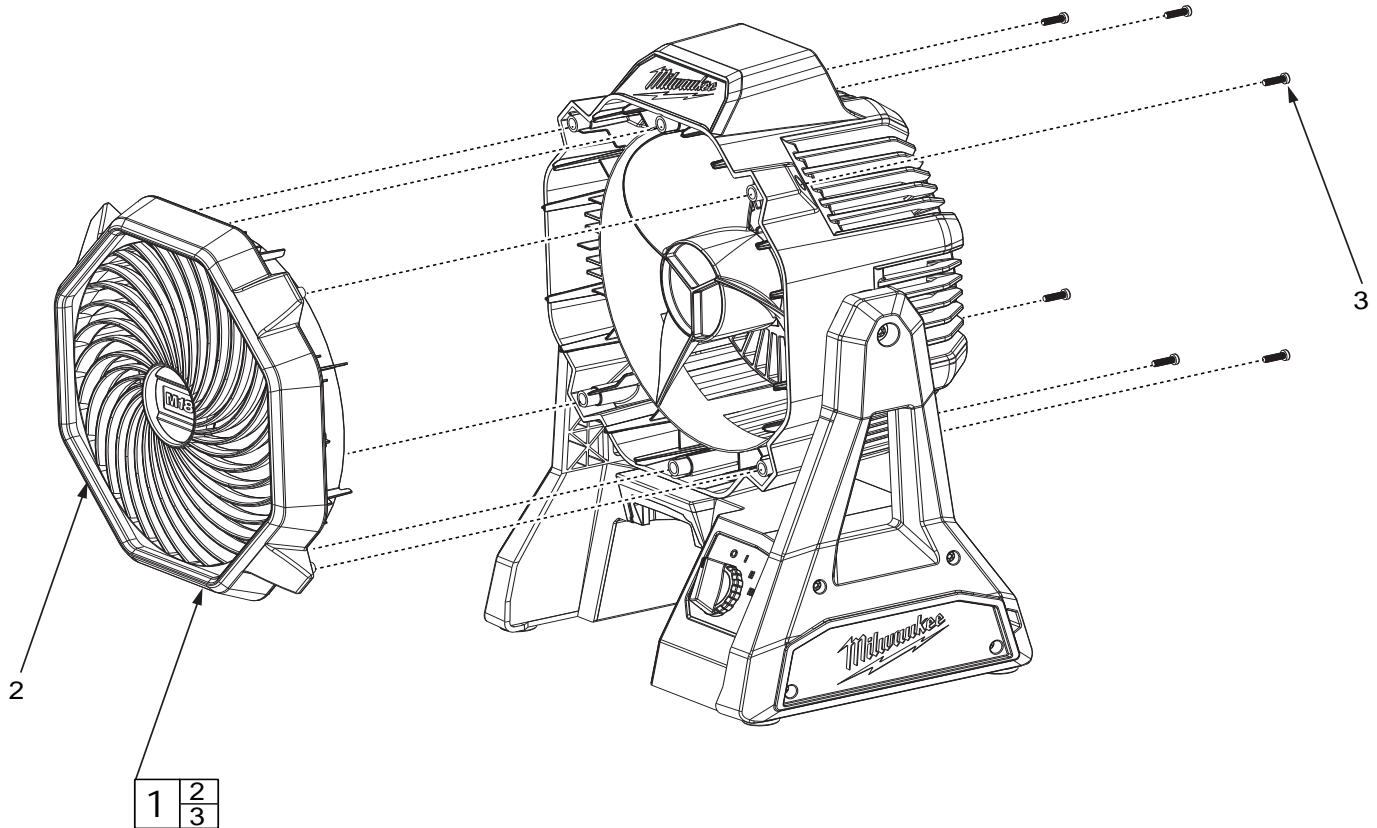


FIG.	PART NO.	DESCRIPTION OF PART	NO. REQ.	FIG.	NOTES
1	43-52-0886	Front Grill with Screws Kit	(1)	3	Hand tighten. Do not use excessive force when installing screws.
2	-----	Front Grill	(1)	5	A clean, dry surface is essential for proper performance for any adhesive system. The area intended for application of any adhesive label or nameplate must be prepared by cleaning with isopropyl alcohol. The solvent is to be applied with a clean, lint free applicator and the surface allowed to dry before applying the label or nameplate.
3	-----	M3.5 x 12mm Hex Socket Screw	(6)		
4	23-81-0701	AC/DC Adapter (Not Shown)	(1)		
5	12-20-0886	Service Nameplate (Not Shown)	(1)		