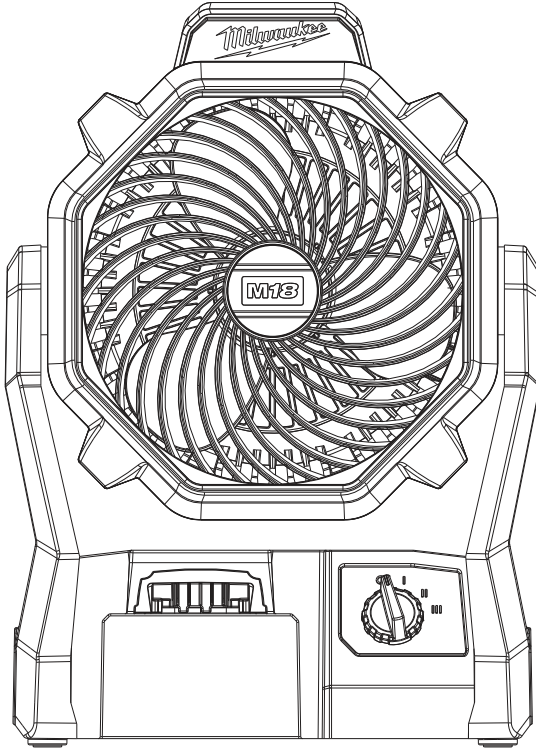




OPERATOR'S MANUAL

Cat. No.

0886-20



M18™ JOBSITE FAN

TO REDUCE THE RISK OF INJURY, USER MUST READ AND UNDERSTAND OPERATOR'S MANUAL.

IMPORTANT SAFETY INSTRUCTIONS

 **WARNING READ ALL SAFETY WARNINGS AND ALL INSTRUCTIONS.** Failure to follow the warnings and instructions may result in electric shock, fire and/or serious injury. *Save all warnings and instructions for future reference.*

WORK AREA SAFETY

- **Keep work area clean and well lit.** Cluttered or dark areas invite accidents.
- **Do not use fan outdoors.**
- **Do not operate fan in explosive atmospheres, such as in the presence of flammable liquids, gases or dust.** Fans create sparks which may ignite the dust or fumes.
- **Keep children away while operating fan.**

ELECTRICAL SAFETY

- **Do not defeat the safety purpose of the polarized plug.** A polarized plug has two blades with one wider than the other. The wide blade is provided for your safety. If the provided plug does not fit into your outlet, consult an electrician for replacement of the obsolete outlet.
- **Do not use fan near water.** Never expose the fan to dripping and splashing. Never immerse the fan in liquid or allow a liquid to flow inside the fan. Water entering the fan will increase the risk for electric shock.
- **Do not use a damaged cord.** Replace damaged cords immediately. Damaged cords increase the risk of electric shock and may create a fire.
- **Protect the power supply from being walked on or pinched** particularly at plugs, convenience receptacles, and the point where they exit from the fan. Do not cover cord or run under carpeting. Do not abuse the cord. Never use the cord to carry the fan or pull the plug from an outlet. Keep cord away from heat, oil, sharp edges or moving parts.
- **Unplug the fan during lightning storms or when unused for long periods.** Remove power supply from outlet when not in use.

PERSONAL SAFETY

- **Do not overreach. Keep proper footing and balance of fan at all times.** Stable footing on a solid surface enables better control of the fan in unexpected situations.
- **Dress properly. Do not wear loose clothing or jewellery. Keep your hair, clothing and gloves away from moving parts.** Loose clothes, jewelry or long hair can be caught in moving parts.

FAN USE AND CARE

- **Do not install near any heat sources** such as radiators, heat registers, stoves, or other apparatus (including amplifiers) that produce heat.
- **Only operate the fan in a well ventilated area.** Do not block any ventilation openings.
- **Do not operate fan with a damaged or missing grill.**
- **Place the fan switch in the off position and disconnect battery pack or power supply before making any adjustments, changing accessories, cleaning or storing the fan.** Such

preventative measures reduce the risk of starting the fan accidentally.

- **Avoid accidental starting. Be sure switch is in the off position before inserting battery pack or power supply.** Inserting the battery pack or power supply into the fan with the switch on invites accidents.
- **Use only attachments/accessories specified by the manufacturer.**

BATTERY TOOL USE AND CARE

- **This fan is designed to be powered by the MILWAUKEE 18 volt AC/DC power supply Cat. No. 23-81-0701, or an M18 MILWAUKEE Li-ion battery pack.** Do not attempt to use with any other power supply or battery.
- **Use fan only with specifically designated battery packs.** Use of any other batteries may create a risk of fire.
- **Recharge batteries only with the specified charger for the battery.** A charger that may be suitable for one type of battery may create a risk of fire when used with another battery.
- **When battery pack is not in use, keep it away from other metal objects like paper clips, coins, keys, nails, screws, or other small metal objects that can make a connection from one terminal to another.** Shorting the battery terminals together may cause burns or a fire.
- **Under abusive conditions, liquid may be ejected from the battery; avoid contact. If contact accidentally occurs, flush with water. If liquid contacts eyes, additionally seek medical help.** Liquid ejected from the battery may cause irritation or burns.

SERVICE

- **Refer all servicing to qualified service personnel.** Servicing is required when the fan has been damaged in any way, such as power supply cord or plug is damaged, liquid has been spilled or objects have fallen into the fan, the fan has been exposed to rain or moisture or does not operate normally. Service or maintenance performed by unqualified personnel could result in a risk of injury.

SPECIFIC SAFETY RULES

- **Maintain labels and nameplates.** These carry important information. If unreadable or missing, contact a MILWAUKEE service facility for a free replacement.
- **WARNING** Some dust created by power sanding, sawing, grinding, drilling, and other construction activities contains chemicals known to cause cancer, birth defects or other reproductive harm. Some examples of these chemicals are:
 - lead from lead-based paint
 - crystalline silica from bricks and cement and other masonry products, and

- arsenic and chromium from chemically-treated lumber.

Your risk from these exposures varies, depending on how often you do this type of work. To reduce your exposure to these chemicals: work in a well ventilated area, and work with approved safety equipment, such as those dust masks that are specially designed to filter out microscopic particles.

FC Federal Communications Commission

- **WARNING:** Changes or modifications to this unit not expressly approved by the party responsible for compliance could void the user's authority to operate the equipment.












This equipment has been tested and found to comply with the limits for a Class B digital device, pursuant to Part 15 of the FCC Rules. These limits are designed to provide reasonable protection against harmful interference in a residential installation. This equipment generates, uses and can radiate radio frequency energy and, if not installed and used in accordance with the instructions, may cause harmful interference to radio communications.

However, there is no guarantee that interference will not occur in a particular installation. If this equipment does cause harmful interference to radio or television reception, which can be determined by turning the equipment off and on, the user is encouraged to try to correct the interference by one or more of the following measures:

- Reorient or relocate the receiving antenna.
- Increase the separation between the equipment and receiver.
- Connect the equipment into an outlet on a circuit different from that to which the receiver is connected.

- Consult the dealer or an experienced radio/TV technician for help.

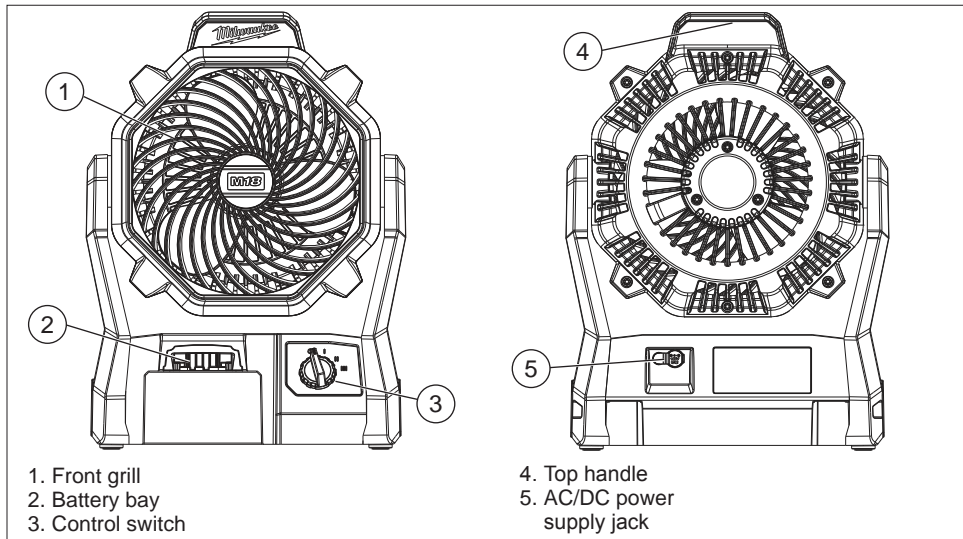
SYMBOLGY

	To reduce the risk of injury, user must read operator's manual.
	Warning
	Double Insulated
	Volts
	Direct Current
	Underwriters Laboratories, Inc., United States and Canada
	Indoor Use Only
	Energy Efficiency
	Energy Verified
	Limited Output Power
	Federal Communications Commission

SPECIFICATIONS

Cat. No.	DC Volts	DC Amps
0886-20	18	2.5

FUNCTIONAL DESCRIPTION



EXTENSION CORDS

Double insulated tools can use either a two or three wire extension cord. As the distance from the supply outlet increases, you must use a heavier gauge extension cord. Using extension cords with inadequately sized wire causes a serious drop in voltage, resulting in loss of power and possible tool damage. Refer to the table shown to determine the required minimum wire size.

The smaller the gauge number of the wire, the greater the capacity of the cord. For example, a 14 gauge cord can carry a higher current than a 16 gauge cord. When using more than one extension cord to make up the total length, be sure each cord contains at least the minimum wire size required. If you are using one extension cord for more than one tool, add the nameplate amperes and use the sum to determine the required minimum wire size.

Guidelines for Using Extension Cords

- If you are using an extension cord outdoors, be sure it is marked with the suffix "W-A" ("W" in Canada) to indicate that it is acceptable for outdoor use.
- Be sure your extension cord is properly wired and in good electrical condition. Always replace a damaged extension cord or have it repaired by a qualified person before using it.
- Protect your extension cords from sharp objects, excessive heat and damp or wet areas.
- Unplug all cords during lightning storms or when unused for long periods of time.

Recommended Min. Wire Gauge for Extension Cords*

Nameplate Amperes	Extension Cord Length				
	25'	50'	75'	100'	150'
0 - 2.0	18	18	18	18	16
2.1 - 3.4	18	18	18	16	14
3.5 - 5.0	18	18	16	14	12
5.1 - 7.0	18	16	14	12	12
7.1 - 12.0	16	14	12	10	
12.1 - 16.0	14	12	10		
16.1 - 20.0	12	10			

* Based on limiting the line voltage drop to five volts at 150% of the rated amperes.

ASSEMBLY



WARNING Recharge only with the charger specified for the battery. For specific charging instructions, read the operator's manual supplied with your charger and battery.

Inserting/Removing Battery Pack

Insert the battery pack by sliding it into the battery bay on the front of the fan. Insert the battery pack until it clicks in place.

To **remove** the battery pack, push in the release buttons and pull the battery pack away from the tool.

Battery Pack Protection

To protect the life of the battery pack, the fan will shut off when the battery's charge becomes too low. If this happens, remove the battery pack and charge it according to the charger's instructions.

Using the AC/DC Power Supply

Only use **MILWAUKEE** 18 volt AC/DC power supply Cat. No. 23-81-0701. Insert the power supply into the 18 volt DC jack on the back of the fan. Plug the power supply into a suitable wall outlet.

OPERATION



WARNING Always remove battery pack before changing or removing accessories. Only use accessories specifically recommended for this fan. Others may be hazardous.



WARNING To reduce the risk of fire or electric shock, do not expose this fan to water, rain or, moisture.

Turning On/Off

To turn the fan **On**, rotate the control switch from **O** to **I**. To turn the fan **Off**, return the control switch to **O**.

To adjust the speed of the fan, rotate the control switch between the **I**, **II** and **III** speed positions.

I - Low

II - Medium

III - High

Adjusting Fan Angle

To adjust the fan angle, grasp fan by the top handle and tilt fan forwards or backwards. The fan can pivot forwards to a range of 30°; with detents every 15°. The fan can pivot backwards to a range of 90°; with detents every 15°.

MAINTENANCE

⚠ WARNING To reduce the risk of injury, always unplug the charger and tool and remove the battery pack from the charger and tool before performing any maintenance. Never disassemble the tool, battery pack or charger. Contact a **MILWAUKEE** service facility for ALL repairs.

Maintaining Tool

Keep your tool, battery pack and charger in good repair by adopting a regular maintenance program. If the tool does not start or operate at full power with a fully charged battery pack, clean the contacts on the battery pack. If the tool still does not work properly, return the tool, charger and battery pack, to a **MILWAUKEE** service facility for repairs.

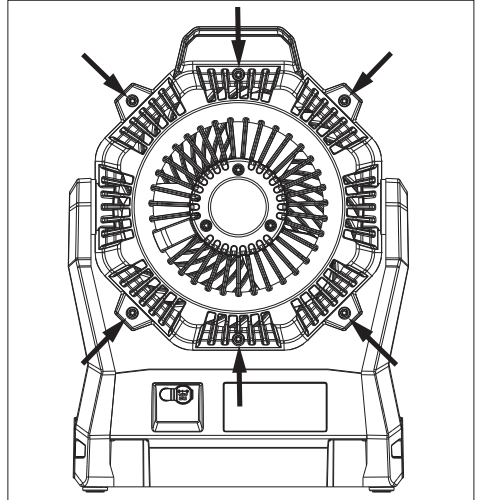
⚠ WARNING To reduce the risk of personal injury and damage, never immerse your fan, battery pack or charger in liquid or allow a liquid to flow inside them.

Cleaning

Disconnect the battery pack and power supply from fan before cleaning. Clean dust and debris from charger and tool vents. Keep tool handles clean, dry and free of oil or grease. Use only mild soap and a damp cloth to clean the tool, battery pack and charger since certain cleaning agents and solvents are harmful to plastics and other insulated parts. Some of these include gasoline, turpentine, lacquer thinner, paint thinner, chlorinated cleaning solvents, ammonia and household detergents containing ammonia. Never use flammable or combustible solvents around tools.

Cleaning the Front Grill

⚠ Always disconnect the battery pack and power supply from fan before cleaning. Clean fan grill periodically with a vacuum wand. For heavy build up, remove the front grill by removing the six screws located at the back of the fan along its outer edges. Dust or wipe grill with a mild soap. Do not place grill in a dishwasher. Excessive heat can distort the plastic. **⚠ Always reinstall the front grill before use.**



Cleaning the Blades

⚠ Always disconnect the battery pack and power supply from fan before cleaning. Remove the front grill. Wipe blades with a damp cloth. Do not remove blades. If fan is used in a greasy environment, such as a kitchen, mild soap or a common household cleaner may be necessary. Do not use solvents. Do not place in a dishwasher. Excessive heat can distort the plastic. **⚠ Always reinstall the front grill before use.**

Repairs

For repairs, return the tool, battery pack and charger to the nearest service center listed on the back cover of this operator's manual.

ACCESSORIES

⚠ WARNING Always remove battery pack before changing or removing accessories. Only use accessories specifically recommended for this tool. Others may be hazardous.