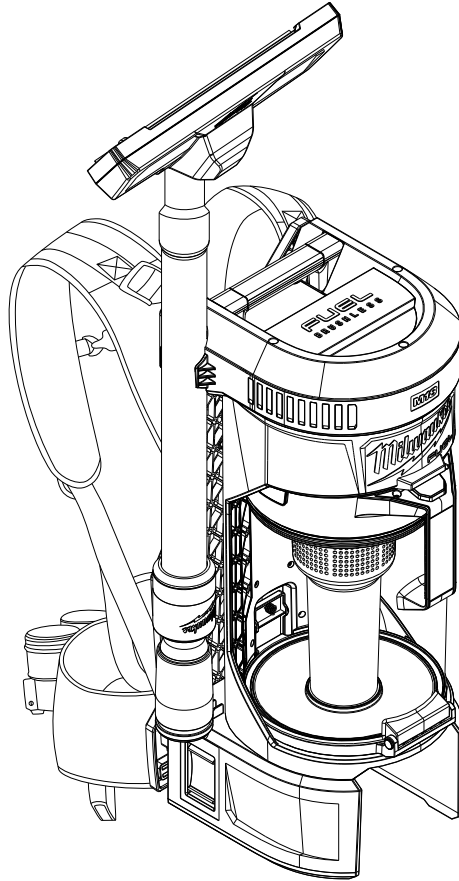




OPERATOR'S MANUAL



Cat. No.
0885-20

M18™ FUEL™ 3-in-1 BACKPACK VACUUM

IMPORTANT SAFETY INSTRUCTIONS

⚠ WARNING WHEN USING AN ELECTRICAL VACUUM, TO REDUCE THE RISK OF FIRE OR INJURY, BASIC PRECAUTIONS SHOULD ALWAYS BE FOLLOWED, INCLUDING THE FOLLOWING: READ ALL INSTRUCTIONS BEFORE USING VACUUM. FOR HOUSEHOLD OR COMMERCIAL USE. BEFORE USING THE VACUUM, READ THIS OPERATOR'S MANUAL, BATTERY PACK AND CHARGER OPERATOR'S MANUALS, AND ALL LABELS ON THE VACUUM, BATTERY PACK, AND CHARGER.

WORK AREA SAFETY

- Keep work area clean and well lit. Cluttered or dark areas invite accidents.
- Do not use in the presence of explosive dust, liquids or vapors.
- Do not use where oxygen or anesthetics are used.
- Do not allow to be used as a toy. Close attention is necessary when used by or near children.
- Use extra care when using on stairs.

ELECTRICAL SAFETY

- Do not pick up wet material. Do not use water to settle dust.
- Do not handle battery pack or vacuum with wet hands.
- Store indoors. Do not expose to rain.

PERSONAL SAFETY

- STAY ALERT. Watch what you are doing and use common sense. Do not use vacuum when you are tired, distracted or under the influence of drugs, alcohol or medication causing diminished control.
- The operation of a vacuum can result in foreign objects being blown into eyes, which can result in eye damage. Always wear safety goggles or glasses with side shields when operating vacuum.
- Wear a dust mask or use an OSHA compliant dust extraction solution when working in dusty situations. Dust particles can harm your lungs.
- Avoid accidental starting. Ensure the switch is in the off-position before inserting battery pack. Inserting battery pack in vacuum that has the switch on invites accidents.
- Do not overreach. Keep proper footing and balance at all times. This enables better control of the vacuum in unexpected situations.
- Never stand on vacuum or use as a step stool.
- Keep hair, loose clothing, fingers, and all parts of body away from openings and moving parts.
- Use only as described in this manual. Use only manufacturer's recommended attachments.

USE AND CARE

- Do not use without tank and/or filter properly installed.
- Do not use to pick up flammable or combustible liquids such as gasoline or use in areas where they may be present.
- Do not pick up anything that is burning or smoking such as cigarettes, matches, or hot ashes.
- Do not pick up soot, cement, plaster or drywall dust without filter in place. These are very fine particles that may affect the performance of the motor or be exhausted back into the air.
- To reduce risk, do not use to vacuum hazardous, toxic or carcinogenic materials, such as asbestos or pesticide.

- Use special care when emptying heavily loaded tanks.
- To avoid spontaneous combustion, empty tank after each use.
- Do not leave vacuum unattended when battery pack is installed. Remove battery pack when not in use and before servicing.
- Do not put any object into openings. Do not use with any opening blocked; keep free of dust, lint, hair, and anything else that may reduce air flow.
- Static shocks are possible in dry areas or when the relative humidity of the air is low. This is only temporary and does not affect the use of the vacuum. To reduce the frequency of static shocks, add moisture to the air with a console or installed humidifier.
- Some wood contains preservatives and can be toxic. Take extra care to prevent inhalation and skin contact when working with these materials. Request and follow any safety information available from your material supplier.
- Maintain vacuum. Check for misalignment or binding of moving parts, breakage of parts and any other condition that may affect the vacuum's operation. If damaged, have the vacuum repaired before use. Many accidents are caused by poorly maintained tools.
- Always use common sense and be cautious when using tools. It is not possible to anticipate every situation that could result in a dangerous outcome. Do not use this tool if you do not understand these operating instructions or you feel the work is beyond your capability; contact Milwaukee Tool or a trained professional for additional information or training.
- Maintain labels and nameplates. These carry important information. If unreadable or missing, contact a MILWAUKEE service facility for a free replacement.
- This product is suitable for collection of silica dust when used in accordance with these instructions. To reduce the risk of health hazards from other vapors or dust, do not vacuum carcinogenic, toxic or hazardous materials such as asbestos, arsenic, barium, beryllium, lead, pesticides or other health endangered materials.
- **⚠ WARNING** Some dust created by power sanding, sawing, grinding, drilling, and other construction activities contains chemicals known to cause cancer, birth defects or other reproductive harm. Some examples of these chemicals are:
 - lead from lead-based paint
 - crystalline silica from bricks and cement and other masonry products, and
 - arsenic and chromium from chemically-treated lumber.

Your risk from these exposures varies, depending on how often you do this type of work. To reduce your exposure to these chemicals: work in a well ventilated area, and work with approved safety equipment, such as those dust masks that are specially designed to filter out microscopic particles.

- The unit is compliant as an objective data solution of OSHA Standard 29CFR 1926.1153, assuming it is used in accordance with MILWAUKEE instructions.

BATTERY PACK USE AND CARE

- Use vacuum only with specifically designated battery packs. Use of any other battery packs may create a risk of injury and fire.
- Turn off all controls before removing battery pack.
- Before using the battery pack or charger read the operator's manuals, and any labels on the battery pack, charger and vacuum.
- Recharge only with the charger specified by the manufacturer. A charger that is suitable for one type of battery pack may create a risk of fire when used with another battery pack.
- When battery pack is not in use, keep it away from other metal objects like paper clips, coins, keys, nails, screws, or other small metal objects that can make a connection from one terminal to another. Shorting the battery terminals together may cause burns or a fire.
- Do not use damaged battery pack or vacuum. If battery pack or vacuum are not working as they should, have been dropped, damaged, left outdoors, or dropped into water, return them to a service center.

SERVICE






- Have your power tool serviced by a qualified repair person using only identical replacement parts. This will ensure that the safety of the power tool is maintained.
- Never service damaged battery packs. Service of battery packs should only be performed by the manufacturer or authorized service providers.

SPECIFIC SAFETY RULES

- Before using the vacuum, read this operator's manual, your battery pack and charger operator's manuals, and all labels on the vacuum, battery pack, and charger.
- Never use vacuum without tank and filter properly installed. Vacuum will throw dust and debris into the air.
- Never use water to clean filter. Tap clean or blow dirt off with compressed air. Water will cause filter to fail.
- Wear ear protectors. Exposure to noise can cause hearing loss.

**READ AND SAVE
ALL
INSTRUCTIONS
FOR FUTURE USE**

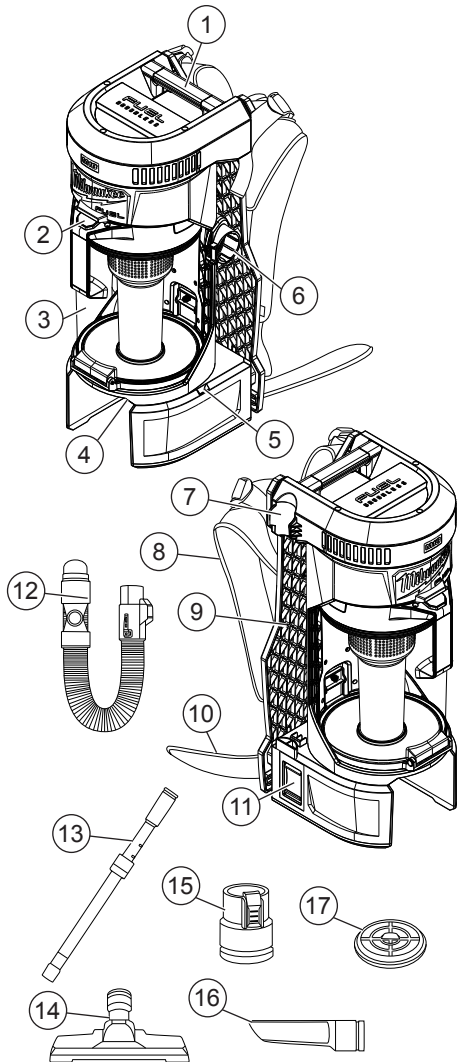
SYMBOLS

-  Volts
-  Direct Current
-  Read operator's manual
-  Wear eye protection
-  UL Listing for Canada and U.S.

SPECIFICATIONS

Cat. No.	0885-20
Volts.....	18 DC
Battery Type.....	M18™
Charger Type.....	M18™
Air Volume.....	55 CFM
Sealed Suction.....	76inH ₂ O
Air Performance.....	159 air watts
Capacity.....	1 Gal. (3.8 L)
Recommended Ambient Operating Temperature.....	0°F to 125°F
Telescoping Extension Wand.....	14-37-0005
Flexible Hose.....	31-01-0305
Crevice Tool.....	31-01-0310
Floor Tool.....	31-01-0315
Dust Extraction Adapter.....	31-01-0320
HEPA Filter.....	49-90-1963
9 Foot Accessory Hose.....	49-90-1964

FUNCTIONAL DESCRIPTION



- 1. Carrying handle
- 2. Tank handle button
- 3. Tank
- 4. Battery bay
- 5. Hose clip
- 6. Vacuum inlet
- 7. Extension wand holder
- 8. Top backpack straps
- 9. Backpack plate
- 10. Lower backpack strap
- 11. Switch
- 12. Flexible hose
- 13. Telescoping extension wand
- 14. Floor tool
- 15. Dust extraction adapter
- 16. Crevice tool
- 17. HEPA filter

ASSEMBLY

⚠ WARNING To reduce the risk of injury, always remove the battery pack before removing the tank.

⚠ CAUTION Keep filter clean. Efficiency of the vacuum is largely dependent on the filter. A dirty filter will reduce the air flow and overall efficiency of the system. Do not clean with water. Remove from tank and tap clean or blow off with compressed air.

Removing/Inserting the Battery

To remove the battery, push in the release buttons and pull the battery pack away from the tool.

⚠ WARNING Always remove battery pack before changing or removing accessories.

To insert the battery, slide the pack into the body of the tool. Make sure it latches securely into place.

Removing/Installing the Filter

To remove the filter:

1. Remove the battery pack.
2. Press the tank handle button and remove the tank from the vacuum.
3. Pull out tank cap to expose the filter. Pull the filter out of the tank.
4. Lift the tank release button and empty all the dust and debris from the tank.
5. To clean the filter, tap clean or blow dirt off with compressed air. Replace the filter if damaged or suction decreases (single pack, Cat. No. 49-90-1963).

NOTE: Never use water to clean filter.

To install the filter:

1. Place the filter into the top of the tank.
2. Line up the tank cap guides and secure it to the tank. Place the tank back into the vacuum.

⚠ WARNING Only use accessories specifically recommended for this tool. Others may be hazardous.

Removing/Installing the Accessories

To install the hose, push the accessory onto the vacuum inlet. To install the nozzles and extensions, push the accessory onto the hose end.

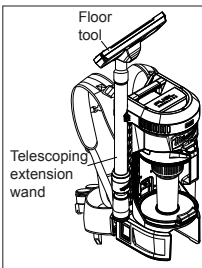
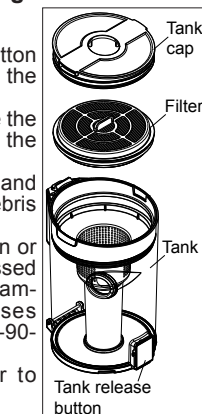
To remove, press the accessory clip and pull out.

Storing the Accessories

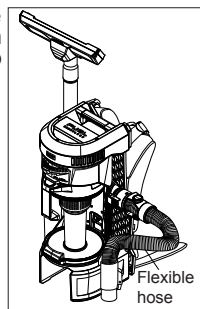
Each of the accessories can be stored on the vacuum.

• **Telescoping extension wand:** Clip the accessory onto the extension wand holder.

• **Floor tool:** Insert the accessory onto the top of the telescoping extension wand.

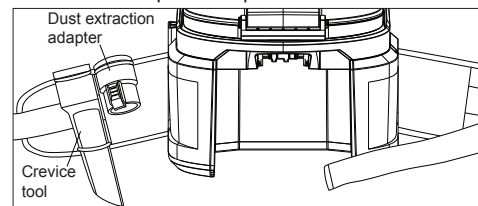


• **Flexible hose:** Insert the accessory onto the vacuum inlet. Clip onto the hose clip to secure.



• **Crevice tool:** Hook the accessory onto the crevice tool rungs located on the lower backpack strap. Push the nose of the accessory through the lower rung and strap the top to the upper rung.

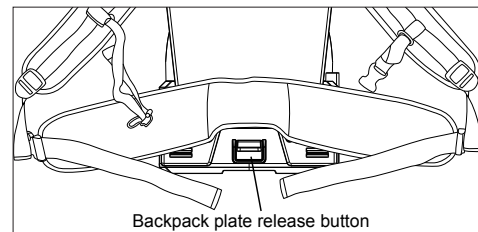
• **Dust extraction adapter:** Hook the accessory onto the dust extraction adapter rung located on the lower backpack strap.



Removing/Installing the Backpack Plate

The backpack plate can be removed when mounting the vacuum on a surface or carrying by hand.

To remove the plate, hold down the backpack plate release button. Pull the bottom end of the plate away from the vacuum to remove the lower tabs. Pull down on the plate and away from the vacuum to remove the upper tabs.

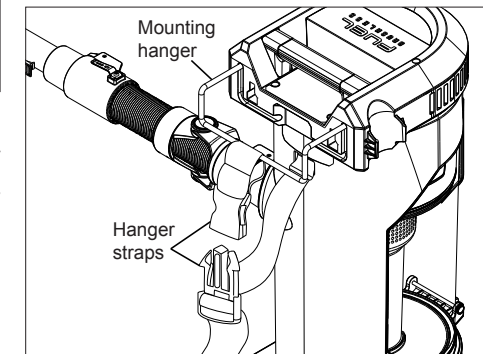


To install the plate, line up and insert the upper plate tabs into the vacuum. Lift the plate up to align and insert the lower plate tabs into the vacuum. Push the tabs in to lock.

Mounting the Vacuum

The vacuum can be hung and mounted to a surface for ease of use.

To mount the vacuum, remove the backpack plate according to the "Removing/Installing the Backpack Plate" instructions. This will expose the mounting hanger. Pull hanger away from the vacuum, unclip the hanger straps and hook vacuum onto surface. Secure by clipping the hanger straps and tightening to the surface.



To unmount the vacuum, unhook the hanger straps. Pull hanger from the surface and push hanger back into the vacuum. Reinstall the backpack plate according to the "Removing/Installing the Backpack Plate" instructions.

OPERATION

⚠ WARNING To reduce the risk of fire and injury, do not use to pick up flammable or combustible materials. To reduce the risk of injury, wear safety goggles or glasses with side shields. Empty tank before use.

Before use, ensure the filter is installed.

⚠ CAUTION Do not carry vacuum by the tank handle.

Starting, Stopping, and Controlling Speed

Press the Power **1** switch up to **2** to run the vacuum on **High** power. Press the Power **1** switch down to **1** to run the vacuum on **Low** power. To turn the vacuum **Off**, return the Power **1** switch to its home **0** position.

Using the Vacuum

There are multiple ways to use the vacuum to best suit your job.

- **Wearing the vacuum as a backpack.** Place vacuum on body. Secure the tool by strapping in the top and bottom backpack straps.
- **Mounting the vacuum on a surface.** Remove the backpack plate according to the "Removing/Installing the Backpack Plate" instructions. Then mount the vacuum to the surface according to the "Mounting the Vacuum" instructions.
- **Carrying the vacuum in hand.** If desired, remove the backpack plate according to the "Removing/Installing the Backpack Plate" instructions.

Operation

1. Remove ALL dirt and debris found in the tank.
2. Insert battery pack and attach accessories.
3. Press the Power **I** switch to the desired speed. Begin pick-up.
4. Turn off the vacuum immediately upon completing a job or when tank is full and ready to be emptied.
NOTE: If suction shuts off, turn off the vacuum immediately and empty the tank.
5. Remove battery pack.
6. Clean the interior of the tank and accessories periodically.

Storage

Before storing your vacuum, empty and clean the tank, filter, and accessories. Remove the battery pack.

MAINTENANCE

⚠WARNING To reduce the risk of injury, always unplug the charger and remove the battery pack from the charger or tool before performing any maintenance. Never disassemble the tool, battery pack or charger. Contact a MILWAUKEE service facility for ALL repairs.

Maintaining Tool

Keep your tool, battery pack and charger in good repair by adopting a regular maintenance program. Inspect your tool for issues such as undue noise, misalignment or binding of moving parts, breakage of parts, or any other condition that may affect the tool operation. Return the tool, battery pack, and charger to a MILWAUKEE service facility for repair. After six months to one year, depending on use, return the tool, battery pack and charger to a MILWAUKEE service facility for inspection.

If the tool does not start or operate at full power with a fully charged battery pack, clean the contacts on the battery pack. If the tool still does not work properly, return the tool, charger and battery pack, to a MILWAUKEE service facility for repairs.

⚠WARNING To reduce the risk of personal injury and damage, never immerse your tool, battery pack or charger in liquid or allow a liquid to flow inside them.

Cleaning

Clean dust and debris from vents. Keep handles clean, dry and free of oil or grease. Use only mild soap and a damp cloth to clean, since certain cleaning agents and solvents are harmful to plastics and other insulated parts. Some of these include gasoline, turpentine, lacquer thinner, paint thinner, chlorinated cleaning solvents, ammonia and household detergents containing ammonia. Never use flammable or combustible solvents around tools.

Repairs

For repairs, return the tool, battery pack and charger to the nearest service center.