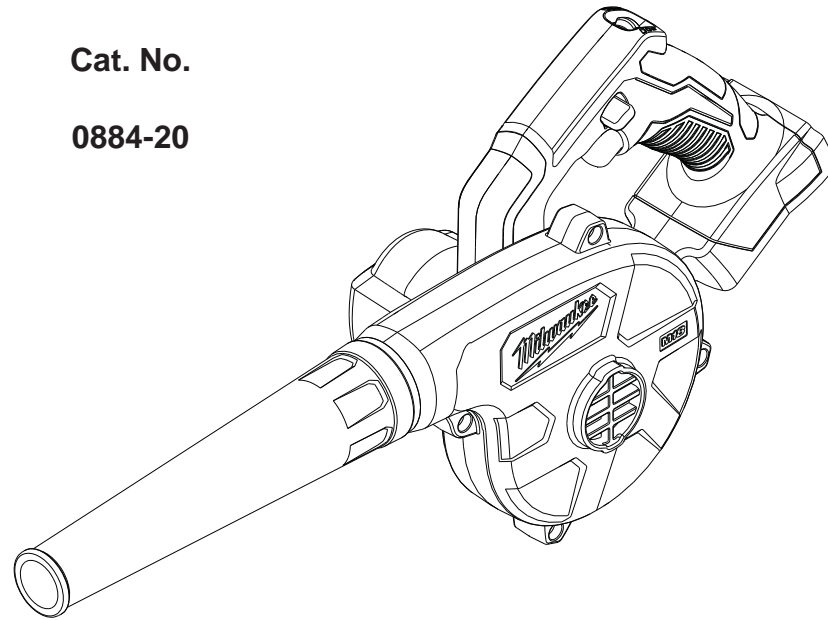




OPERATOR'S MANUAL

Cat. No.

0884-20



M18™ CORDLESS COMPACT BLOWER

TO REDUCE THE RISK OF INJURY, USER MUST READ AND UNDERSTAND OPERATOR'S MANUAL.

IMPORTANT SAFETY INSTRUCTIONS

⚠ WARNING WHEN USING AN ELECTRICAL BLOWER, BASIC PRECAUTIONS SHOULD ALWAYS BE FOLLOWED, INCLUDING THE FOLLOWING: READ ALL INSTRUCTIONS BEFORE USING BLOWER. FOR HOUSEHOLD OR COMMERCIAL USE. BEFORE USING THE BLOWER, READ THIS OPERATOR'S MANUAL, YOUR BATTERY PACK AND CHARGER OPERATOR'S MANUALS, AND ALL LABELS ON THE BLOWER, BATTERY PACK, AND CHARGER. TO REDUCE THE RISK OF FIRE, ELECTRIC SHOCK, OR INJURY:

WORK AREA SAFETY

- Keep work area clean and well lit. Cluttered or dark areas invite accidents.
- Blowers have motors and other parts that can produce sparks during normal use. Do not use within 30 feet of areas where explosive materials may be present (such as gasoline pumps and places where liquids like paint thinners, cleaners, solvents, etc. are stored).
- Do not use in the presence of explosive dust, liquids or vapors.
- Do not use where oxygen or anesthetics are used.
- Do not allow to be used as a toy. Close attention is necessary when used by or near children.
- Use extra care when using on stairs.

ELECTRICAL SAFETY

- Do not handle charger, battery pack or blower with wet hands.

PERSONAL SAFETY

- **STAY ALERT.** Watch what you are doing and use common sense. Do not use blower when you are tired, distracted or under the influence of drugs, alcohol or medication causing diminished control.
- The operation of a blower can result in foreign objects being blown into eyes, which can result in eye damage. User and bystanders must wear safety goggles or glasses with side shields when blower is in operation.
- Wear a face or dust mask when working in dust situations. Dust particles can harm your lungs.
- Avoid accidental starting. Ensure the switch is in the off-position before inserting battery pack. Inserting battery pack in blower that has the switch on invites accidents.
- Do not overreach. Keep proper footing and balance at all times. This enables better control of the blower in unexpected situations.
- Keep hair, loose clothing, fingers, and all parts of body away from openings and moving parts.

USE AND CARE

- Use only as described in this manual. Use only manufacturer's recommended attachments.
- Do not use to blow flammable or combustible liquids such as gasoline or use in areas where they may be present.

- Do not blow anything that is burning or smoking such as cigarettes, matches, or hot ashes.
- To reduce the risk of health hazards from vapors or dust, do not blow toxic, carcinogenic or other hazardous materials such as asbestos, arsenic, barium, beryllium, lead, pesticides or other health endangering materials.
- **WARNING:** Some dust created by power sanding, sawing, grinding, drilling, and other construction activities contains chemicals known to cause cancer, birth defects or other reproductive harm. Some examples of these chemicals are:
 - lead from lead-based paint
 - crystalline silica from bricks and cement and other masonry products, and
 - arsenic and chromium from chemically-treated lumber.

Your risk from these exposures varies, depending on how often you do this type of work. To reduce your exposure to these chemicals: work in a well ventilated area, and work with approved safety equipment, such as those dust masks that are specially designed to filter out microscopic particles.

- Do not leave blower unattended when battery pack is installed. Remove battery pack when not in use and before servicing.
- Do not put any object into openings. Do not use with any opening blocked; keep free of dust, lint, hair, and anything else that may reduce air flow.
- Maintain blower. Check for misalignment or binding of moving parts, breakage of parts and any other condition that may affect the blower's operation. If damaged, have the blower repaired before use. Many accidents are caused by poorly maintained tools.
- Maintain labels and nameplates. These carry important information. If unreadable or missing, contact a MILWAUKEE service facility for a free replacement.
- Use blower only with specifically designated battery packs. Use of any other battery packs may create a risk of injury and fire.
- Turn off all controls before removing battery pack.
- To reduce the risk of electric shock, do not use on wet surfaces. Do not expose to rain. Store indoors. Do not charge outdoors.

BATTERY PACK USE AND CARE

- Recharge only with the charger specified by the manufacturer. A charger that is suitable for one type of battery pack may create a risk of fire when used with another battery pack.
- When battery pack is not in use, keep it away from other metal objects like paper clips, coins, keys, nails, screws, or other small metal objects that can make a connection from one terminal to another. Shorting the battery terminals together may cause burns or a fire.
- Do not use damaged battery pack or blower. If battery pack or blower are not working as they should, have been dropped, damaged, left outdoors, or dropped into water, return them to a service center.
- Do not burn or incinerate battery packs. Battery packs may explode, causing personal injury or damage. Toxic fumes and materials are created when battery packs are burned.

SERVICE

- Have your power tool serviced by a qualified repair person using only identical replacement parts. This will ensure that the safety of the power tool is maintained.

SPECIFIC SAFETY RULES






- Before using the blower, read this operator's manual, your battery pack and charger operator's manuals, and all labels on the blower, battery pack, and charger.
- Wear ear protectors. Exposure to noise can cause hearing loss.

READ AND SAVE ALL INSTRUCTIONS FOR FUTURE USE

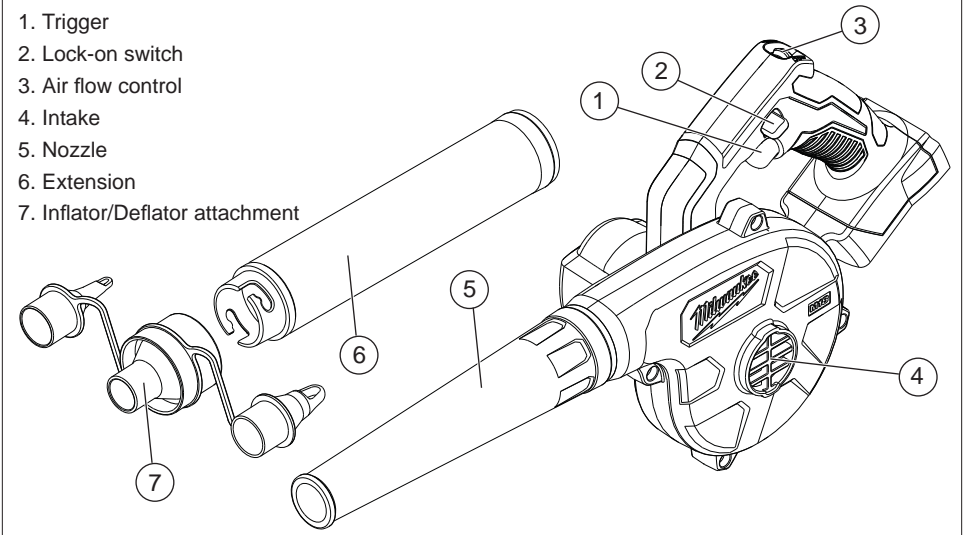
SPECIFICATIONS

Cat. No.	Volts DC	Air Speed	Fan Speed
0884-20	18 V	160 MPH	18,000 RPM

SYMBOLGY

	Volts
	Direct Current
	Underwriters Laboratories, Inc. United States and Canada
	Read operator's manual
	Wear eye protection

FUNCTIONAL DESCRIPTION



ASSEMBLY

⚠ WARNING Always remove battery pack before changing or removing accessories. Only use accessories specifically recommended for this tool. Others may be hazardous.

Inserting/Removing the Battery

To **remove** the battery, push in the release buttons and pull the battery pack away from the tool.

To **insert** the battery, slide the pack into the body of the tool. Make sure it latches securely into place.

Installing/Removing the Accessories

Blower:

To install the nozzle, extension, or inflator adaptor, line up the lugs of the accessory with the slots on the blower. Push the accessory onto the blower. Twist the accessory clockwise to lock into place.

To remove the accessory, twist counter-clockwise and pull away from the blower.

Deflator:

To install the adaptor onto the intake, line up the detents on the adaptor with the tabs on the top and bottom of the intake. Slide the adaptor onto the intake.

To remove the adaptor from the intake, pull the adaptor away from the tool.

OPERATION

⚠ WARNING To reduce the risk of fire and injury, do not use to blow flammable or combustible materials.

⚠ WARNING To reduce the risk of injury, user and bystanders must wear safety goggles or glasses with side shields. Use of blower can result in foreign objects being blown into eyes, which can result in eye damage.

Selecting air flow

The blower can be set to three air flow speeds: low, medium, and high. Push the air flow control up to increase air flow; push it down to decrease air flow.

Starting, Stopping, and Controlling Air flow

1. To **start** the blower, pull the trigger.
2. To **vary** the air flow, increase or decrease the pressure on the trigger. The further the trigger is pulled, the greater the airflow speed, up to the maximum set by the airflow control.
3. To **stop** the blower, release the trigger.

Lock-on

To lock-on the trigger for continuous use:

1. Pull the trigger.
2. Push down on the lock-on switch.
3. Release the trigger.
4. To stop the blower, pull and release the trigger.

MAINTENANCE

⚠ WARNING To reduce the risk of injury, always unplug the charger and remove the battery pack from the charger or tool before performing any maintenance. Never disassemble the tool, battery pack or charger. Contact a **MILWAUKEE** service facility for ALL repairs.

Maintaining Tool

Keep your tool, battery pack and charger in good repair by adopting a regular maintenance program. After six months to one year, depending on use, return the tool, battery pack and charger to a **MILWAUKEE** service facility for:

- Lubrication
- Mechanical inspection and cleaning (gears, spindles, bearings, housing, etc.)
- Electrical inspection (battery pack, charger, motor)
- Testing to assure proper mechanical and electrical operation

If the tool does not start or operate at full power with a fully charged battery pack, clean the contacts on the battery pack. If the tool still does not work properly, return the tool, charger and battery pack, to a **MILWAUKEE** service facility for repairs.

⚠ WARNING To reduce the risk of personal injury and damage, never immerse your tool, battery pack or charger in liquid or allow a liquid to flow inside them.

Cleaning

Clean dust and debris from charger and tool vents. Keep tool handles clean, dry and free of oil or grease. Use only mild soap and a damp cloth to clean the tool, battery pack and charger since certain cleaning agents and solvents are harmful to plastics and other insulated parts. Some of these include gasoline, turpentine, lacquer thinner, paint thinner, chlorinated cleaning solvents, ammonia and household detergents containing ammonia. Never use flammable or combustible solvents around tools.

Repairs

For repairs, return the tool, battery pack and charger to the nearest service center listed on the back cover of this operator's manual.

ACCESSORIES

⚠ WARNING Always remove battery pack before changing or removing accessories. Only use accessories specifically recommended for this tool. Others may be hazardous.