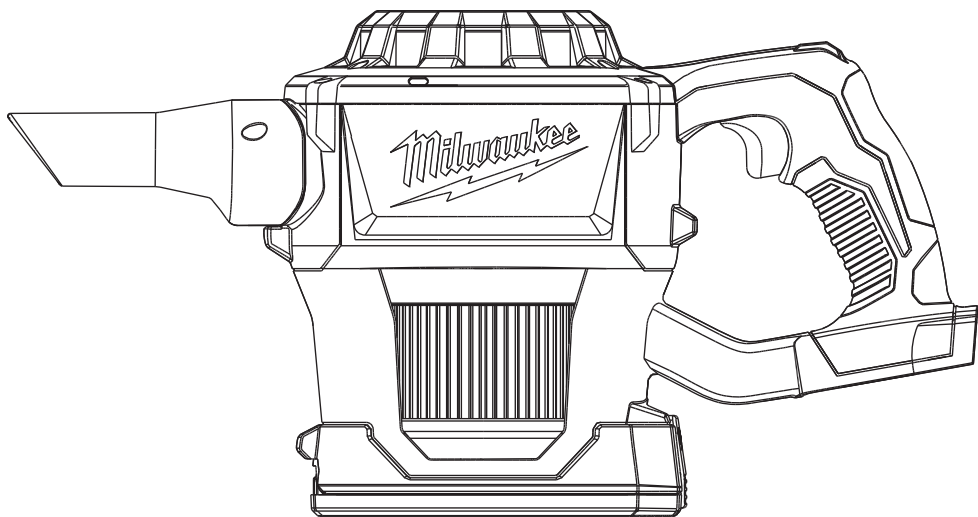




OPERATOR'S MANUAL



Cat. No. **0882-20**

M18™ COMPACT VACUUM



WARNING To reduce the risk of injury, user must read and understand operator's manual.

IMPORTANT SAFETY INSTRUCTIONS

⚠ WARNING WHEN USING AN ELECTRICAL VACUUM, BASIC PRECAUTIONS SHOULD ALWAYS BE FOLLOWED, INCLUDING THE FOLLOWING: READ ALL INSTRUCTIONS BEFORE USING VACUUM. FOR HOUSEHOLD OR COMMERCIAL USE. BEFORE USING THE VACUUM, READ THIS OPERATOR'S MANUAL, BATTERY PACK AND CHARGER OPERATOR'S MANUALS, AND ALL LABELS ON THE VACUUM, BATTERY PACK, AND CHARGER.

WORK AREA SAFETY

- Keep work area clean and well lit. Cluttered or dark areas invite accidents.
- Vacuums have motors and other parts that can produce sparks during normal use. Do not use within 30 feet of areas where explosive materials may be present (such as gasoline pumps and places where liquids like paint thinners, cleaners, solvents, etc. are stored).
- Do not use in the presence of explosive dust, liquids or vapors.
- Do not use where oxygen or anesthetics are used.
- Do not allow to be used as a toy. Close attention is necessary when used by or near children.
- Use extra care when using on stairs.

ELECTRICAL SAFETY

- Do not pick up wet material. Do not use water to settle dust.
- Do not handle battery pack or vacuum with wet hands.

PERSONAL SAFETY

- **STAY ALERT.** Watch what you are doing and use common sense. Do not use vacuum when you are tired, distracted or under the influence of drugs, alcohol or medication causing diminished control.
- The operation of a vacuum can result in foreign objects being blown into eyes, which can result in eye damage. Always wear safety goggles or glasses with side shields when operating vacuum.
- Wear a face or dust mask when working in dust situations. Dust particles can harm your lungs.
- Avoid accidental starting. Ensure the switch is in the off-position before inserting battery pack. Inserting battery pack in vacuum that has the switch on invites accidents.
- Do not overreach. Keep proper footing and balance at all times. This enables better control of the vacuum in unexpected situations.
- Keep hair, loose clothing, fingers, and all parts of body away from openings and moving parts.
- Use only as described in this manual. Use only manufacturer's recommended attachments.

USE AND CARE

- Do not use without dust canister and/or filter in place.
- Do not use to pick up flammable or combustible liquids such as gasoline or use in areas where they may be present.
- Do not pick up anything that is burning or smoking such as cigarettes, matches, or hot ashes.
- Do not pick up soot, cement, plaster or drywall dust without filter in place. These are very fine particles that may affect the performance of the motor or be exhausted back into the air.

- To reduce the risk of health hazards from vapors or dust, do not vacuum toxic, carcinogenic or other hazardous materials such as asbestos, arsenic, barium, beryllium, lead, pesticides or other health endangering materials.

⚠ WARNING Some dust created by power sanding, sawing, grinding, drilling, and other construction activities contains chemicals known to cause cancer, birth defects or other reproductive harm. Some examples of these chemicals are:

- lead from lead-based paint
 - crystalline silica from bricks and cement and other masonry products, and
 - arsenic and chromium from chemically-treated lumber.
- Your risk from these exposures varies, depending on how often you do this type of work. To reduce your exposure to these chemicals: work in a well ventilated area, and work with approved safety equipment, such as those dust masks that are specially designed to filter out microscopic particles.
- Use special care when emptying heavily loaded tanks.
 - To avoid spontaneous combustion, empty dust canister after each use.
 - Do not leave vacuum unattended when battery pack is installed. Remove battery pack when not in use and before servicing.
 - Do not put any object into openings. Do not use with any opening blocked; keep free of dust, lint, hair, and anything else that may reduce air flow.
 - Maintain vacuum. Check for misalignment or binding of moving parts, breakage of parts and any other condition that may affect the vacuum's operation. If damaged, have the vacuum repaired before use. Many accidents are caused by poorly maintained tools.
 - Maintain labels and nameplates. These carry important information. If unreadable or missing, contact a MILWAUKEE service facility for a free replacement.

BATTERY PACK USE AND CARE

- Use vacuum only with specifically designated battery packs. Use of any other battery packs may create a risk of injury and fire.
- Turn off all controls before removing battery pack.
- To reduce the risk of electric shock, do not use on wet surfaces. Do not expose to rain. Store indoors.
- Before using the battery pack or charger read the operator's manuals, and any labels on the battery pack, charger and vacuum.
- Recharge only with the charger specified by the manufacturer. A charger that is suitable for one type of battery pack may create a risk of fire when used with another battery pack.

- When battery pack is not in use, keep it away from other metal objects like paper clips, coins, keys, nails, screws, or other small metal objects that can make a connection from one terminal to another. Shorting the battery terminals together may cause burns or a fire.
- Do not use damaged battery pack or vacuum. If battery pack or vacuum are not working as they should, have been dropped, damaged, left outdoors, or dropped into water, return them to a service center.

SERVICE

- Have your power tool serviced by a qualified repair person using only identical replacement parts. This will ensure that the safety of the power tool is maintained.
- Never service damaged battery packs. Service of battery packs should only be performed by the manufacturer or authorized service providers.

SPECIFIC SAFETY RULES

- Before using the vacuum, read this operator's manual, your battery pack and charger operator's manuals, and all labels on the vacuum, battery pack, and charger.
- Never use vacuum without dust canister and filter in place. Never use water to clean filter.
- Wear ear protectors. Exposure to noise can cause hearing loss.

READ AND SAVE ALL INSTRUCTIONS FOR FUTURE USE

SYMBOLLOGY



Volts



Direct Current



Read operator's manual



Wear eye protection

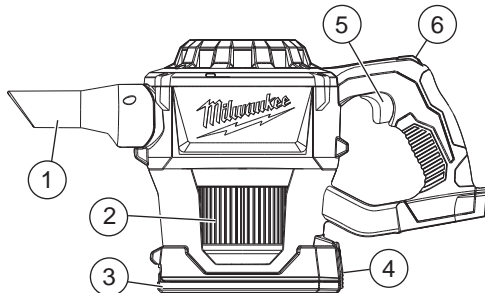


UL Listing for Canada and U.S.

SPECIFICATIONS

Cat. No.....	0882-20
Volts.....	18 DC
Battery Type.....	M18™
Charger Type.....	M18™
Air Flow.....	40 CFM
Suction.....	38 inH2O

FUNCTIONAL DESCRIPTION



1. Inlet
2. Filter
3. Dust canister lid
4. Dust canister latch
5. Trigger
6. Lock-on switch

ASSEMBLY

⚠️ WARNING To reduce the risk of injury, always remove the battery pack before removing the dust canister. Do not use tool without dust canister and filter in place.

⚠️ CAUTION Keep filter clean. Efficiency of the vacuum is largely dependent on the filter. A dirty filter will reduce the air flow and overall efficiency of the system. Do not clean with water. Remove from dust canister and tap clean or blow off with compressed air.

Removing/Installing the Filter

To **empty** the dust canister:

1. Turn OFF the tool.
2. Remove the battery pack.
3. While holding over the trash, unlatch the dust canister. Empty dust from the canister. Tap the vacuum gently to dislodge any remaining dust.
4. To clean the filter, twist the filter counterclockwise to unlock from the canister. Pull the filter away from the vacuum and tap clean or blow off with compressed air. Do not clean with water. Replace filter if damaged or suction decreases (Cat. No. 49-90-0160).

To **install** the filter:

1. Twist the filter clockwise onto the dust canister.

NOTE: Do not operate the vacuum without the dust canister and filter in place.

Installing/Removing the Accessories

To install the nozzles, hoses or extensions, push the accessory onto the vacuum inlet.

OPERATION

⚠️ WARNING To reduce the risk of fire and injury, do not use to pick up flammable or combustible materials. To reduce the risk of injury, wear safety goggles or glasses with side shields. Empty dust canister before use.

Starting, Stopping, and Controlling Air flow

1. To **start** the vacuum, pull the trigger.
2. To **stop** the vacuum, release the trigger.

Lock-on

To lock-on the trigger for continuous use:

1. Pull the trigger.
2. Press forward and hold the lock-on switch.
3. Release the trigger, then release the lock-on switch.
4. To stop the vacuum, pull and release the trigger.

MAINTENANCE

⚠️ WARNING To reduce the risk of injury, always unplug the charger and remove the battery pack from the charger or tool before performing any maintenance. Never disassemble the tool, battery pack or charger. Contact a MILWAUKEE service facility for ALL repairs.

Maintaining Tool

Keep your tool, battery pack and charger in good repair by adopting a regular maintenance program. Inspect your tool for issues such as undue noise, misalignment or binding of moving parts, breakage of parts, or any other condition that may affect the tool operation. Return the tool, battery pack, and charger to a MILWAUKEE service facility for repair. After six months to one year, depending on use, return the tool, battery pack and charger to a MILWAUKEE service facility for inspection.

If the tool does not start or operate at full power with a fully charged battery pack, clean the contacts on the battery pack. If the tool still does not work properly, return the tool, charger and battery pack, to a MILWAUKEE service facility for repairs.

⚠️ WARNING To reduce the risk of personal injury and damage, never immerse your tool, battery pack or charger in liquid or allow a liquid to flow inside them.

Cleaning

Clean dust and debris from vents. Keep handles clean, dry and free of oil or grease. Use only mild soap and a damp cloth to clean, since certain cleaning agents and solvents are harmful to plastics and other insulated parts. Some of these include gasoline, turpentine, lacquer thinner, paint thinner, chlorinated cleaning solvents, ammonia and household detergents containing ammonia. Never use flammable or combustible solvents around tools.