

# FILTER INSTRUCTION SHEET

## MIDSIZE 3/4" FILTERS: 1022-8 & 1022-10

|               |                     |                          |
|---------------|---------------------|--------------------------|
| <b>Bowl</b>   | <b>Max Pressure</b> | <b>Temperature Range</b> |
| Metal W/Sight | 250 PSI             | 40°F to 160°F            |

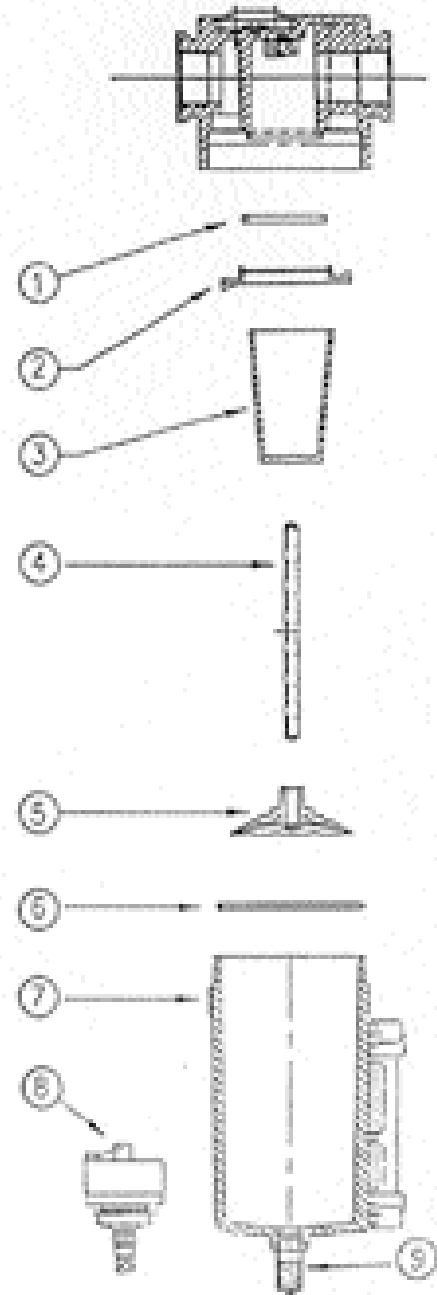
**WARNING!: For Compressed Air Service only. Not to be used on life support or breathing air systems. Metal bowl sight glass is made of polycarbonate and will crack or rupture if exposed to any chemicals, such as synthetic oils, that are unsuitable for use with polycarbonate.**

**INSTALLATION:** Install Filter units so the air flow is in the direction of the arrow on the head of the unit. The filter should be installed upstream of any regulators, and lubricators. The filter should also be placed as close as possible to the air tool, or apparatus being utilized.

**WARNING!: Units are die cast aluminum, do not torque when installing. Also, pressurize unit slowly after installation of unit or new element to avoid damage to element.**

**MAINTENANCE AND OPERATION:** When there is air flow, any foreign particles, and the separation of moisture, is automatic. There are no moving parts and no adjustments necessary. Any sludge and moisture that has collected, should be drained off. Sediment should not be allowed to reach the lower baffle. The Automatic Overnight Drain will automatically drain accumulated oil and moisture when line pressure falls below 5 PSIG. The Overnight Drain can also be operated manually by turning in a counter clockwise rotation.

The unit should be cleansed at regular intervals. Depressurize the system, unscrew the bowl and then unscrew the sintered bronze element from the head. Wash the element with a mild dishwasher detergent and rinse thoroughly to maintain the filtering efficiency. Make sure the element is completely dry before reassembling the unit (the filter element may be blown dry). Clean the filter bowls with soapy water only. Examine the O-ring, and replace it if damaged or distorted. When reassembling use care not to strip the threads on the bowl. After the bowl has been tightened completely, it may be necessary to line up sight glass for proper viewing by backing-off up to 180°.



| ITEM      | DESCRIPTION           | 1022-8<br>KIT NO. | 1022-10<br>KIT NO. | CONTENTS  |
|-----------|-----------------------|-------------------|--------------------|---|
| 3         | Element Kit           | 1022-18           | 1022-20            | 40 Micron Sintered Bronze Element                         |
|           |                       | 1022-28           | 1022-30            | 5 Micron Sintered Bronze Element                          |
| 1,2,4,5   | Repair Kit            | 1022-13           | 1022-14            | Gasket, Vane Baffle, Threaded Rod, Lower Baffle           |
| 6,7,9     | Bowl Kit              | 1022-11<br>10 oz. | 1022-12<br>20 oz.  | Metal Bowl w/Sight, Overnight Drain & O-ring.             |
| Not Shown | Sight Kit Replacement | 1022-2            | 1022-2             | Sight Tube, Retainer (2) Indicator Ball, O-ring (4)       |
| 8         | Auto Drain            | 1168              | 1168               | Float Drain Assembly, Bowl, Insert, O-ring, Retainer Ring |
| 6         | Bowl O-ring           | 1022-15           | 1022-15            | O-ring  |
| 9         | Overnight Drain       | 1120-16           | 1120-16            | Overnight Drain for Metal Bowl                            |